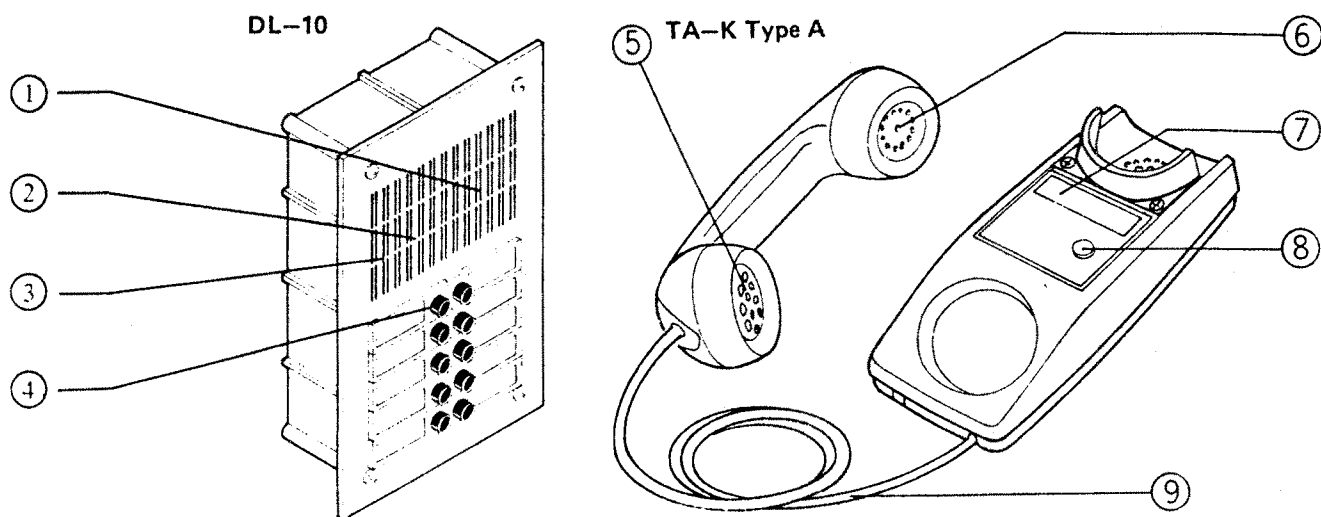


# AIPHONE

## DOOR-PHONE

### APARTMENT HOUSE INTERCOM SYSTEM FOR APARTMENT BUILDINGS OF 50 SUITES OR LESS

#### INSTRUCTIONS



#### NAMES AND FUNCTIONS

- |   |             |   |  |
|---|-------------|---|--|
| ① | Speaker     | ⑤ | Handset microphone                                       |
| ② | Microphone  | ⑥ | Handset speaker  |
| ③ | Amplifier   | ⑦ | Body   |
| ④ | Call switch | ⑧ | Door release switch                                      |
|   |             | ⑨ | Straight cord (coil cord available if ordered specially) |

#### SPECIFICATIONS:

- \* Power source: DC 9 volt. Use PS-2S power supply.
- \* Current consumption: 80 MA during conversation (DC).  
45 MA for ring circuit (DC).
- \* Calling: Push button selection at door station.
- \* Communication: Hands free loudspeaking at door station.  
Simultaneous conversation telephone-type room station.
- \* Riser wiring: 3 common plus 1 per suite. (Additional two wires may be required when installing EL-9S electric door release)

#### FEATURES:

- \* No push to talk switch; easy to use telephone-type station in suite and hands free loudspeaker/microphone at door.
- \* One power supply only needed to supply communication power and door release power.
- \* Door stations may be parallel for multiple door installations.

#### INSTALLATION

Do not attempt to install your intercom system until you have read and thoroughly understood the installation procedure. Aiphone's warranty is void if system is installed in a manner other than as described in this manual.

# WIRING

Lay out your system in advance. We recommend that spare conductors be included in each riser to eliminate the possibility of removing all of the cable should a conductor prove defective.

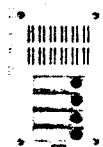
Refer to the chart below and select the proper gauge wire to meet your requirements.

NOTE: If 22 AWG is used, we suggest that 2 conductors be used on each b & L, to give more current to electric strike.

Wiring is simple and straight forward. Refer to the drawing and make connections as indicated. 'B' terminal on each phone completes ring circuit to door station and is the only wire in the riser that is not common. Connect 'B' wire from each phone to whichever push button you desire at door station to provide a directory layout that meets your requirements.

AWG WIRE SIZE	22 AWG	20 AWG	18 AWG
DISTANCE	1100'	1650'	2500'
DIAMETER OF WIRE	0.65 mm	0.8 mm	1.0 mm
DISTANCE	330 m	500 m	800 m

## EQUIPMENT AVAILABLE FOR USE WITH YOUR DOOR-PHONE APARTMENT HOUSE INTERCOM



DN-4

**DN-** : Door station with back box with speaker and microphone. For apartment building of 4 suites or less.

**DN-0:** Includes no call buttons.

**DN-1:** Includes 1 call button.

**DN-2:** Includes 2 call buttons.

**DN-3:** Includes 3 call buttons.

**DN-4:** Includes 4 call buttons.



DL-10

**DL-** : Door station with back box with speaker and microphone. For apartment building of 6 suites or more.

**DL-0:** Includes no call buttons.

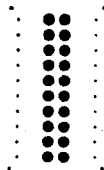
**DL-6:** Includes 6 call buttons.

**DL-10:** Includes 10 call buttons.



**DL-20S:** Call button panel complete with back box and 20 call buttons.

Designed for use in conjunction with DL door station. Allows up to 20 suites selections with DL-0 and up to 30 suites selections with DL-10.



**DL-20S w/o call buttons:** Black plate with back box. Punched for 20 call buttons. (Available only in U.S.A.)



**D:** Call button complete with plastic covered slot for name.



**ST-2:** Blanking strip - to cover unrequired holes. Will cover two horizontally. (Available only in U.S.A.)



**TA-K Type A:** Heavy duty apartment telephone. May be placed on desk or table, or may be mounted on standard one gang switch box. Includes button to operate electric door release.



**TA-K Type A w/coil cord:** Apartment telephone with coil cord. (Please specify when ordering).

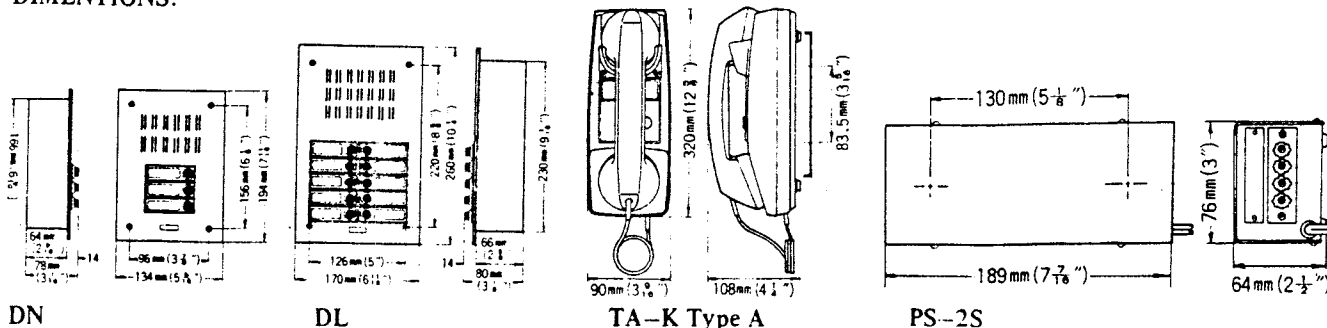


**PS-2S:** Power supply for system. Provides 9V DC for communication and 12V AC for door release operation.



**EL-9S:** Electric door release.

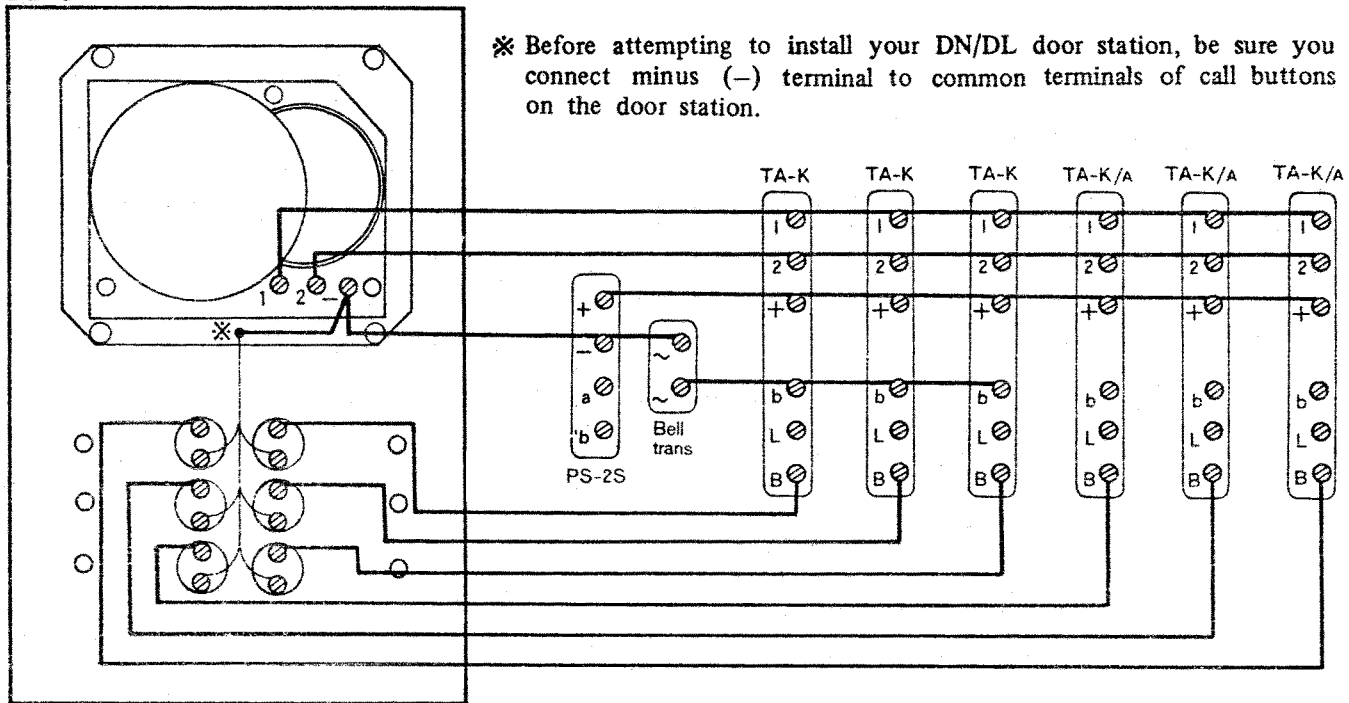
### DIMENSIONS:



## HOW TO ADD TA-K Type A TO EXISTING SYSTEM WHEREBY INSTALLED OLD TA-K

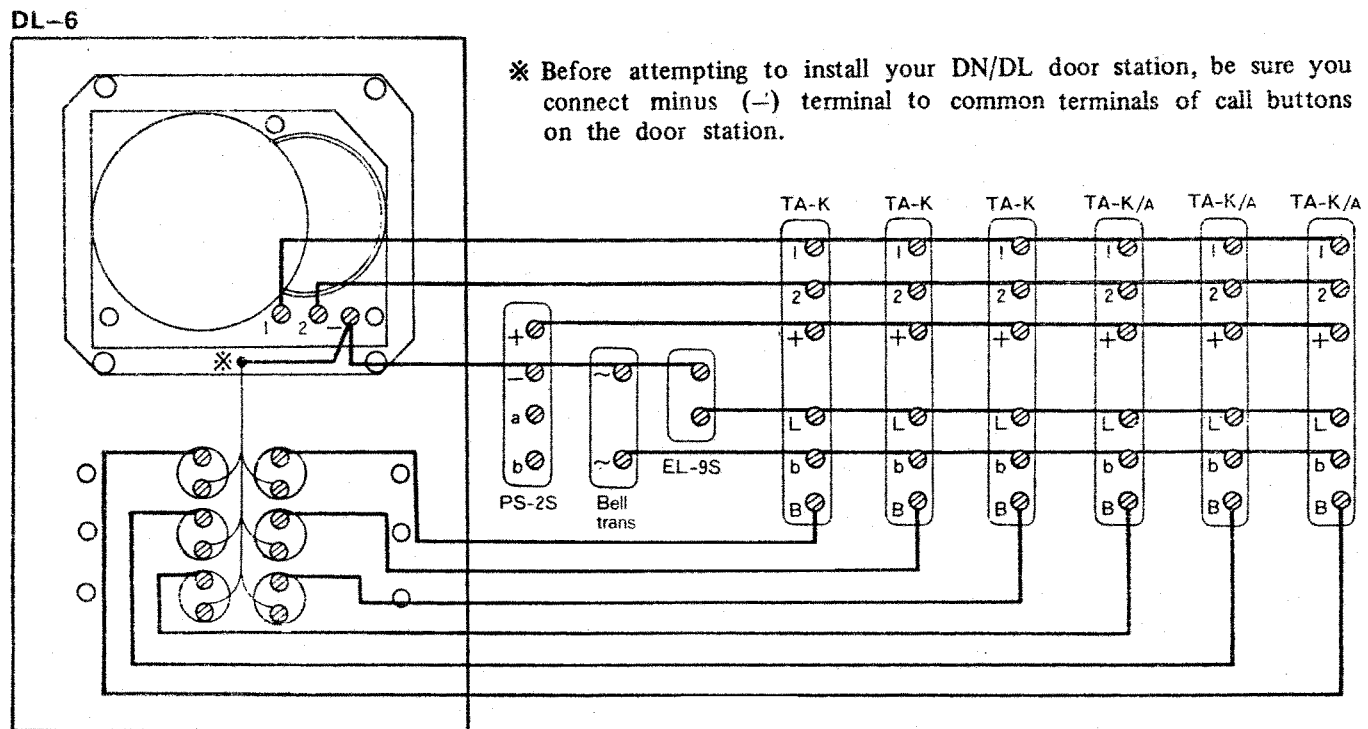
The following two diagrams show wiring connection of TA-K Type A mixed with old TA-K. If you install newly AIPHONE Apartment House Intercom System, please order all TA-K Type A apartment telephone and refer to the wiring diagram on Page 3 of this manual.

**Example 1: Three TA-K Type A added to existing system without door release.**  
DL-6



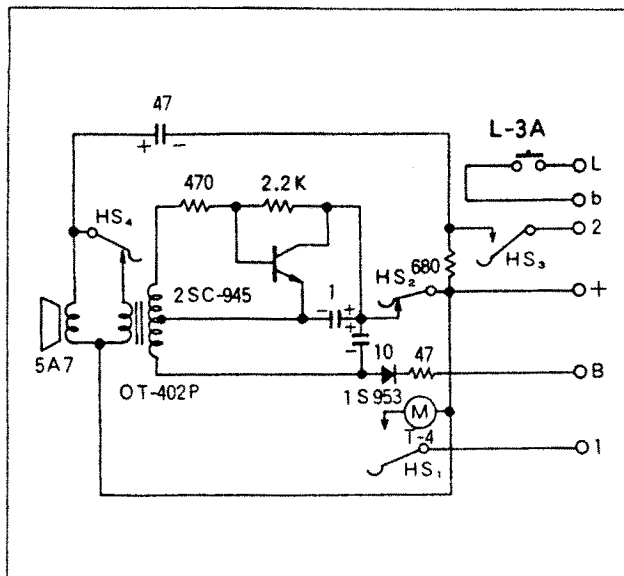
Separate Bell Transformer (AC-12V) is required to power AC call buzzer on old TA-K.

**Example 2: Three TA-K Type A added to existing system with door release.**  
DL-6

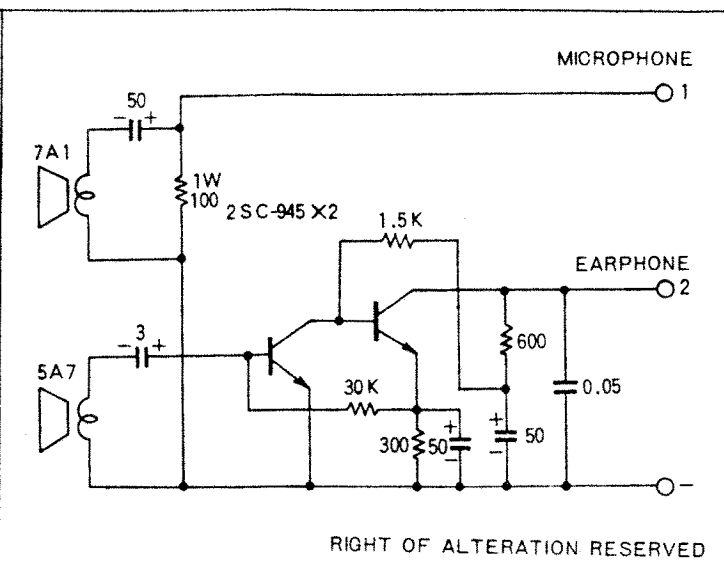


Separate Bell Transformer (AC-12V) is required to power both call tone and EL-9S electric door release.

**NOTE:** Call tone quality will be spoiled if AC-12V is supplied from (a) and (b) terminals on PS-2S. So we recommend you to have separate Bell Transformer in above examples.



MODEL  
TA-K Type A



MODEL  
DN, DL

RIGHT OF ALTERATION RESERVED

## OPERATION

### Door Station:

Calling: Depress the selector button of the suite you wish to call.

Talking: Once suite answers communication is hands free.

### Room Station:

Receiving: Upon hearing call signal, pick up handset and talk just as you would on an ordinary telephone.

Door release: To open door depress provided push button. Release will remain activated only when button is depressed.

## CLEANING YOUR INTERCOM STATIONS

Your Aiphone intercom stations may be cleaned with a soft cloth dampened with non-abrasive household cleanser, such as Mr. Clean or Fantastik.

We at Aiphone are proud of our products. Our designers and engineers strive to bring you the finest in communication equipment. Each item has been carefully tested and inspected before leaving our factory. Properly installed and used, your Aiphone intercom system should give years of trouble-free service.

We are pleased to offer the following warranty:

### WARRANTY

Aiphone warrants its products to be free from defects of material and workmanship under normal use and service for a period of one year after delivery to the ultimate user and will repair free of charge or replace at no charge, should it become defective upon which examination shall disclose to be defective and under warranty. Aiphone reserves unto itself the sole right to make the final decision whether there is a defect in materials and/or workmanship; and whether or not the product is within the warranty.

This warranty shall not apply to any Aiphone product which has been subject to misuse, neglect, accident, or to use in violation of instructions furnished, nor extended to units which have been repaired or altered outside of the factory.

This warranty does not cover batteries or damage caused by batteries used in connection with the product.

This warranty covers bench repairs only, and any repairs must be made at the shop or place designated in writing by Aiphone. Aiphone will not be responsible for any costs incurred involving on site service calls.