

SYSTEM/MODEL: GF

MODIFICATION: External signaling device connected to tenant station

DIFFICULTY LEVEL: 4 - Moderate/hard - Internal connection or component addition.

COMPONENTS REQUIRED:

1. TAR-3: External signaling relay
2. SKK-620: 6V DC power supply
3. External signaling device and its own power.
(Not supplied by Aiphone)

INSTR/OPERATIONS:

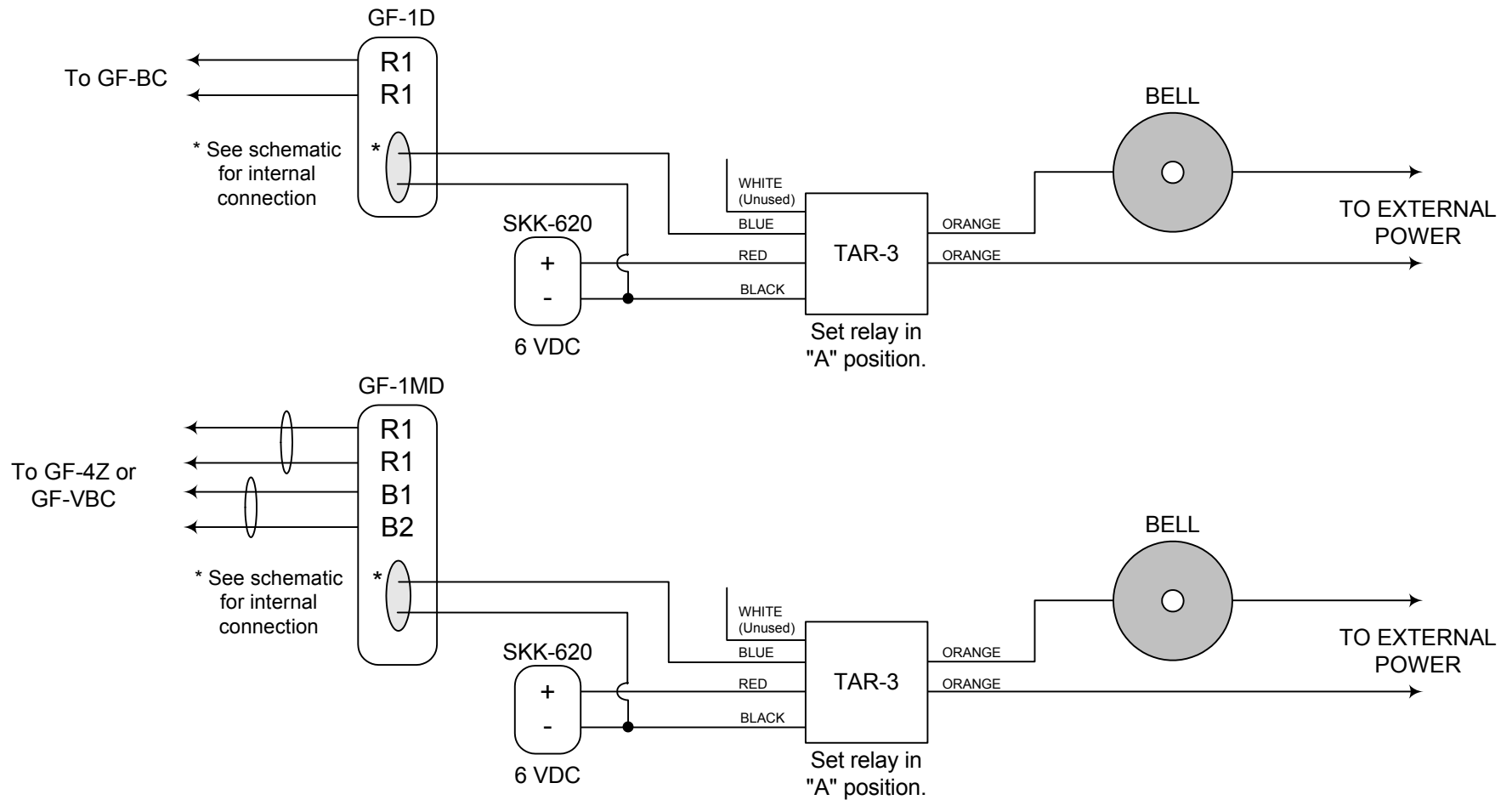
1. Locate BZ1 on tenant station PC board. Connect BLUE wire of TAR-3 to BZ +.
2. Connect BLACK of TAR-3 to BZ- of BZ1.
(Located on opposite side of BZ1 from BZ+.)
3. Connect RED and BLACK wires of the TAR-3 to RED and BLACK of the SKK-620. (Same BLACK that's connected to BZ-.)
4. TAR-3 should be in the "A" position.
5. ORANGE wires of the TAR-3 will provide a normally open dry contact while the door chime is ringing. Connect this contact in accordance with instructions provided with your external signaling device and power for the external device.

REFERENCE DRAWING #:

Aiphone's product warranty applies to products properly modified using these instructions. However, if a unit is damaged as a result of improper modification, the warranty does not apply.

MODIFICATION DIAGRAM

EXTERNAL SIGNALING WITH A GF ROOM STATION

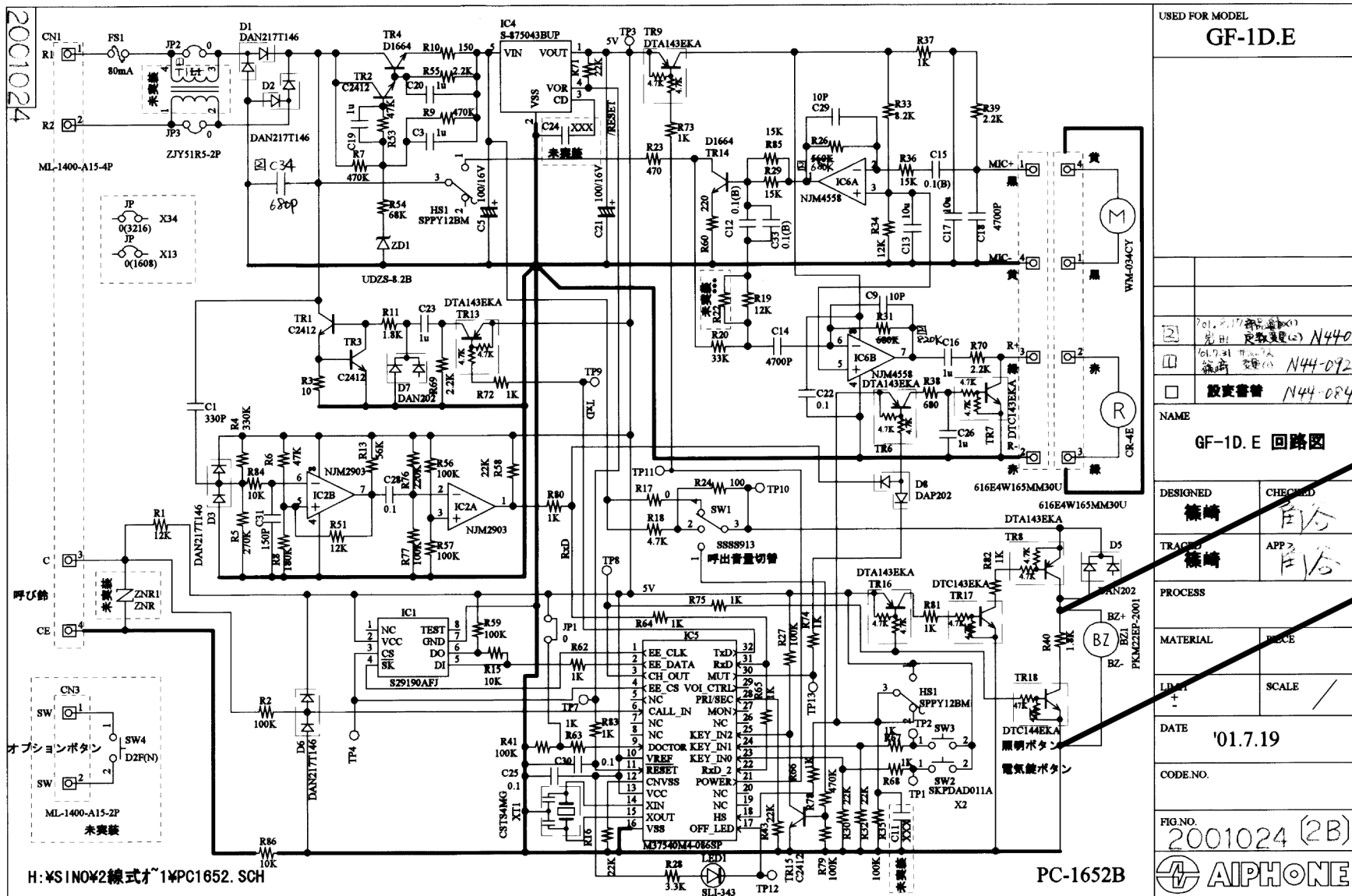


NOTE:

The TAR-3 provides a closure when the call tone sounds at the room station. If a single momentary contact is required, please refer to modification #RELAY 1198-902.

EXTERNAL SIGNALING DEVICE CONNECTED TO GF-1D

GF-1D Schematic Diagram



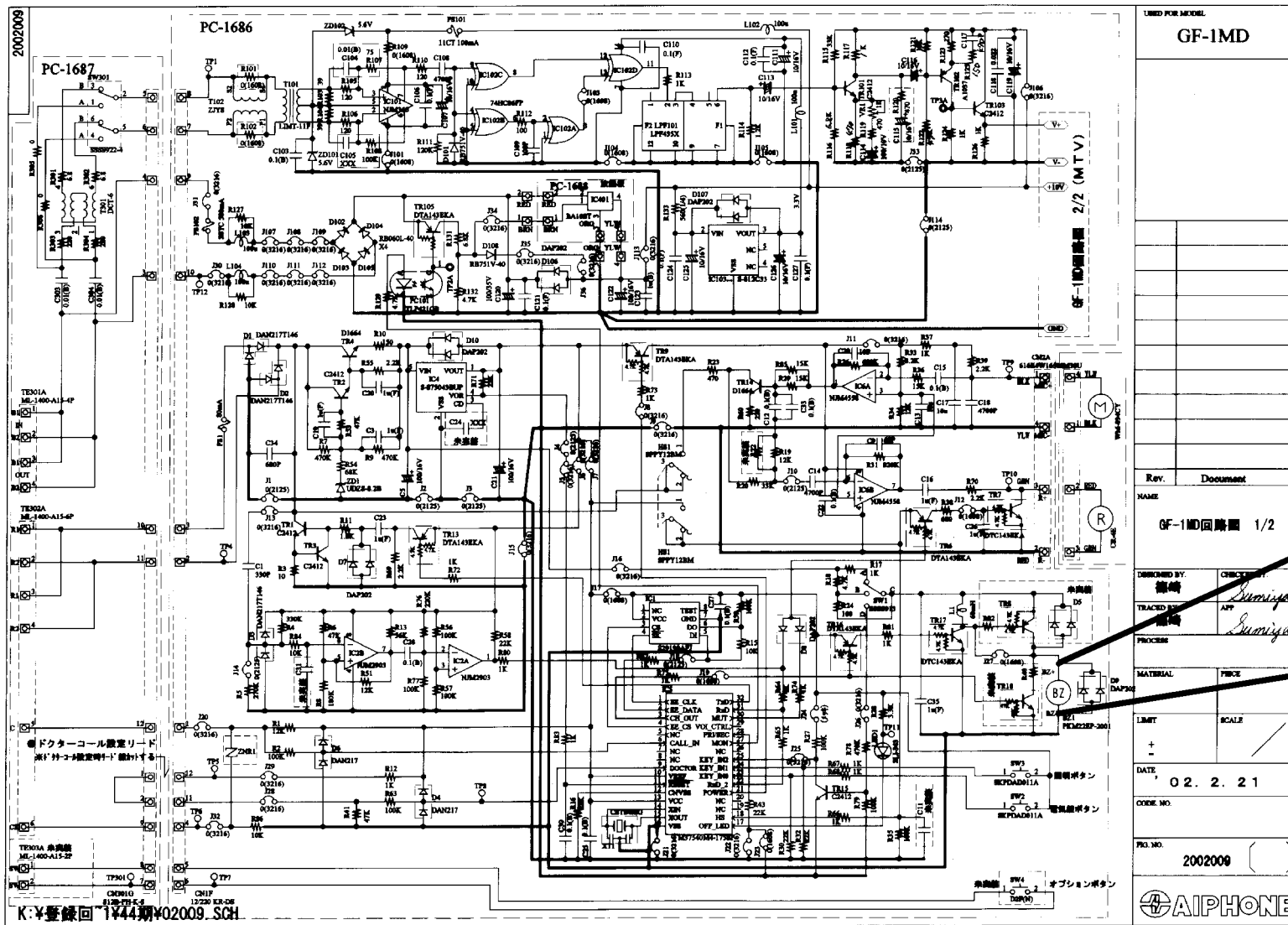
USED FOR MODEL	
GF-1D.E	
<input type="checkbox"/> 201.01.17 (新設計) 先行 取組 (心) N44-078 <input type="checkbox"/> 161.7.91 (旧設計) 先行 取組 (心) N44-072 <input type="checkbox"/> 設置書番 N44-084	
NAME	
GF-1D.E 回路図	
DESIGNED	CHECKED
藤崎	藤崎
TRACED	APP
藤崎	藤崎
PROCESS	
MATERIAL	
RECE	
LIMIT	
SCALE	
DATE	
'01.7.19	
CODE.NO.	
FIG.NO.	
2001024 (2B)	
ALPHONE	

Connect Blue wire of TAR-3

Connect Black wire of TAR-3

EXTERNAL SIGNALING DEVICE CONNECTED TO GF-1MD

GF-1MD Schematic Diagram



LIMIT FOR MODEL	
GF-1MD	
Rev.	Document
NAME	GF-1MD回路図 1/2
DRAWN BY:	CHECKED BY:
TRACED BY:	APP:
PROCESS:	
MATERIAL:	PRICE:
LIMIT:	SCALE:
DATE:	02.2.21
CODE NO.	
FIG. NO.	2002009
AIPHONE	

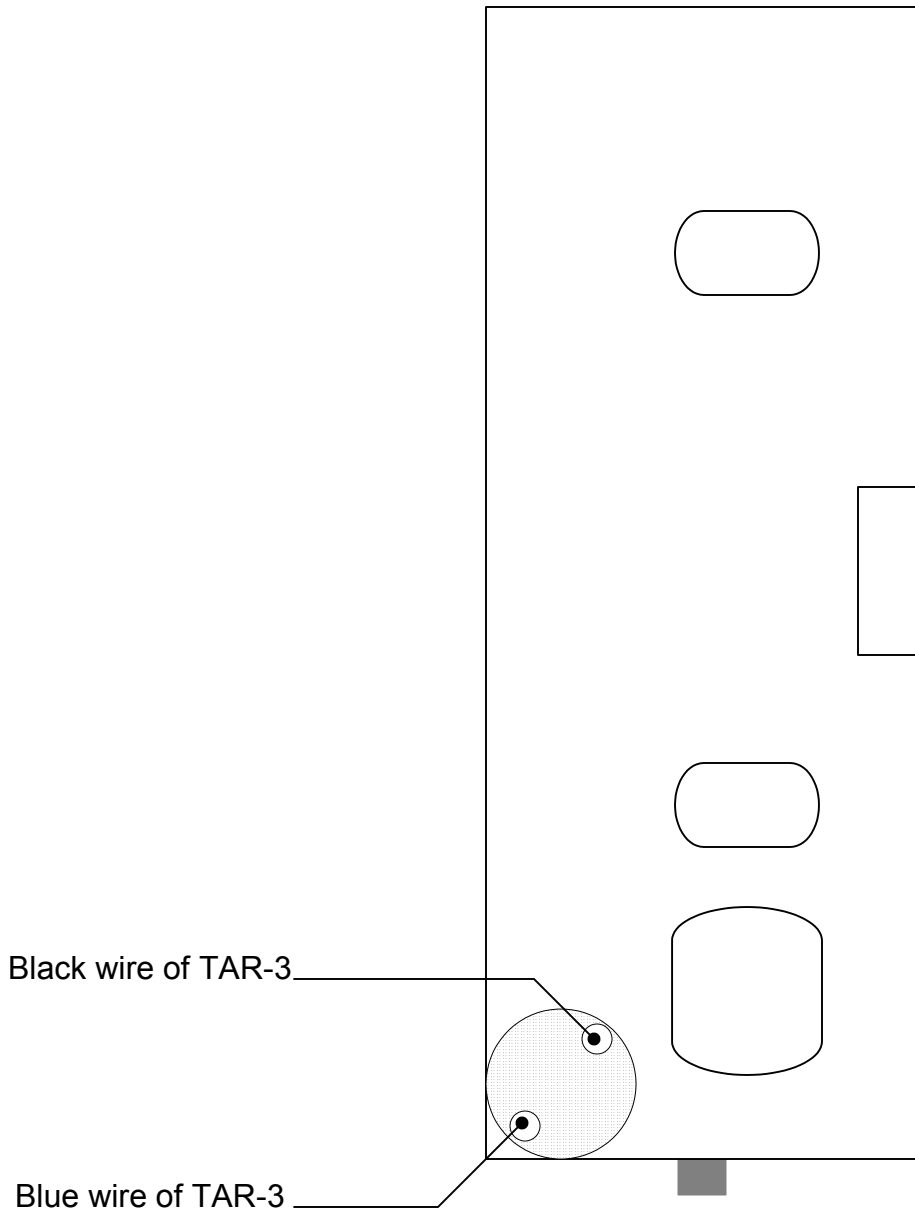
Connect Blue wire of TAR-3

Connect Black wire of TAR-3

K:Y登録回 1444期#02009.SCH

MODIFICATION DIAGRAM

TAR-3 INTERNAL CONNECTION FOR GF-1D



GF Mod. #0702-551
Drawing #