

GHA-DES

Audio Entrance Station with Digital Directory

DESCRIPTION:

The GHA-DES is an audio entrance station for the GH Multi-Unit entry system. This unit is equipped with an audio module for communication, a 10-key pad for direct digital dialing, and an LCD display for a greeting message, tenant names and numbers, and system status.

The GHA-DES works on a common bus wiring system, carrying the calling and communication functions on a 2 conductor wire. The digital display requires power, so a separate pair of power wires is required from the power supply to the panel.

The entrance station is designed to be semi-flush mount, and has an optional rain hood or surface mount box to be used as necessary.

The Standard GH System can accommodate up to five entrance stations, two Concierge stations, and up to 48 tenant stations. The Expanded GH system allows up to 16 entrances, four Concierge stations, and 500 tenant stations.

Audio and Video entrance panels are intermixable within a system. Audio and video tenant stations are intermixable, allowing up to two video stations and two audio stations to be used in the same tenant location.

Communication is hands free at the entrance station when a tenant answers the call, and is either VOX hands free or push-to-talk at the tenant station when speaking with the visitor.

GHA-DES

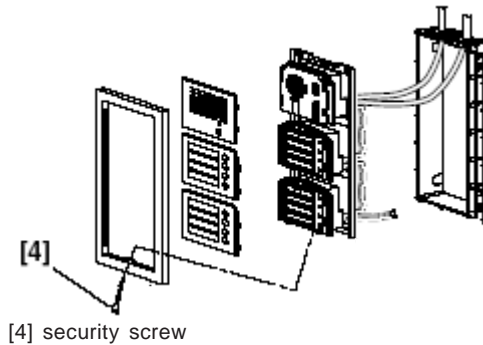


FEATURES:

- Hands free audio communication
- Direct digit dialing, alphabetical scrolling, or "jump" scrolling by letter to select tenant name
- Digital panel can store up to 500 tenant name/number locations
- Alpha-numeric room numbers and/or names can be programmed
- Access Control door entry with keypad with up to 20 unique codes to activate door release
- Scrolling welcome message, up to 160 characters, adjustable scroll speed
- LCD displays calling unit name and number
- PC Program for loading resident information, access codes, and welcome message
- Semi-flush mount, with optional rain hood (GF-103H) or surface mount box (GF-103HB)
- Zinc diecast weather resistant construction

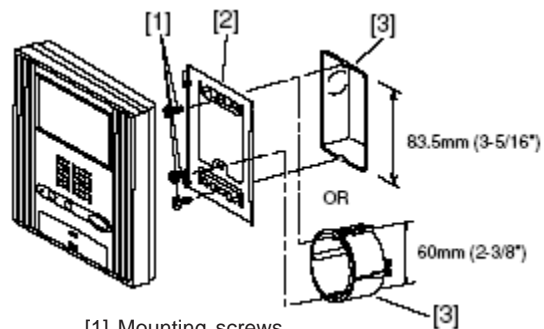
MOUNTING & INSTALLATION:

Entrance Station (Example)



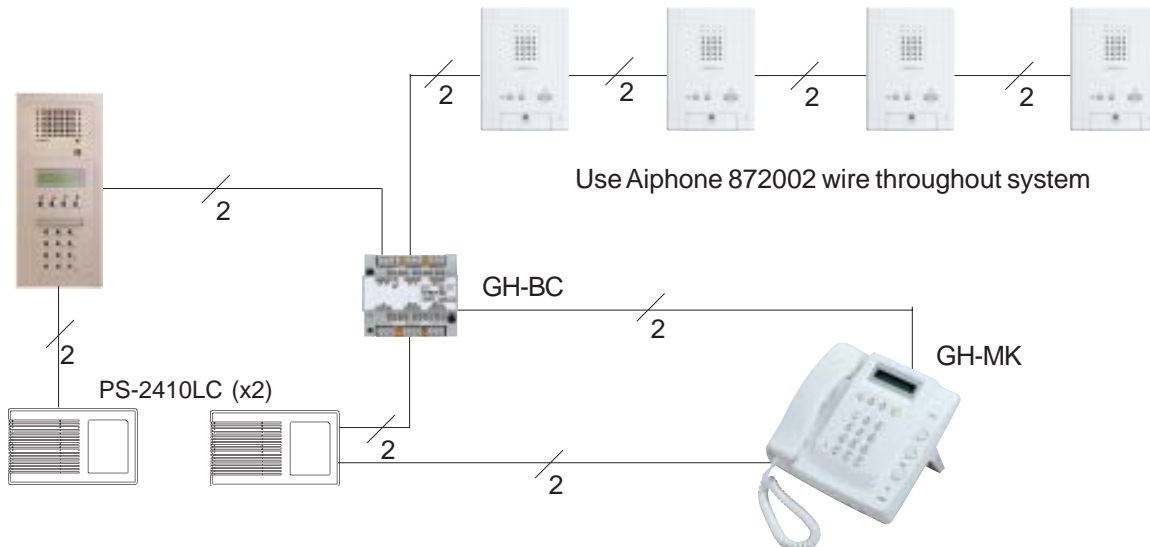
[4] security screw

Wall Mount GH-1AD (To a one-gang box)



[1] Mounting screws
[2] Mounting bracket
[3] 1-gang box or ring

System Layout Example:



SPECIFICATIONS:

Power:	24V DC, use PS-2410LC
Calling:	Electronic ring tone from entrance panel
Communication:	Hands free from entrance panel to tenant station
Capacity:	Max. 16 entry panels per system Max. 4 Concierge stations per system Max. 500 stations per system Max. 4 tenant stations per unit
Wiring:	2-conductor, PE insulation, common bus
Wire:	Aiphone #872002, 2 conductor PE insulated, non-shielded, 11.05 pf/ft.
Wiring Distance:	GH-BC to farthest Audio Only Entrance(s): 980' with 20 AWG GH-BC to farthest Tenant (Audio line): 980' with 20 AWG GH-BC to GH-MK: 980' with 20 AWG
Talk Path:	Single channel with privacy
Dimensions:	12-5/8" H x 5-5/16" W x 1-3/4" D