

# IS-DVF-HID-I

Vandal Resistant Color Video Door Station  
with Built in HID iCLASS® Smart Card Reader

## -INSTRUCTIONS-

The IS-DVF-HID-I is an IS-series color video door station and an HID iCLASS® Card Reader, built onto the same stainless steel faceplate. The card reader provides electronic access to a building through a separate Access Control System, which is not supplied by Aiphone. The IS-DVF-HID-I can connect to the IS-CCU or IS-SCU control units.



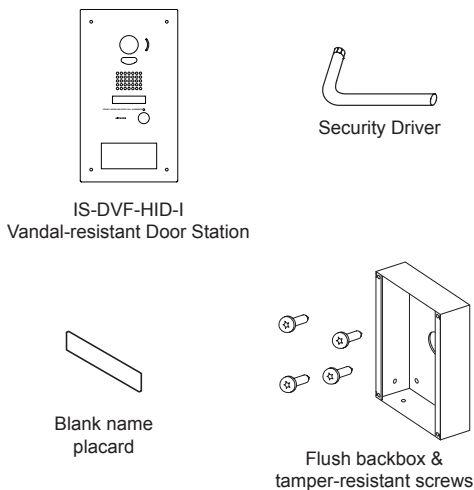
### NAMES & FUNCTIONS:

- |               |                          |
|---------------|--------------------------|
| 1. Camera     | 5. Name Placard          |
| 2. Microphone | 6. Call status indicator |
| 3. LED Light  | 7. Call button           |
| 4. Speaker    | 8. iCLASS Reader         |

### FEATURES:

- All-in-one solution: Communication product & card reader
- If a card is missing or malfunctioning, audio/video communication can provide user verification
- Standard Wiegand output to access panel
- Convenience of installing combined components

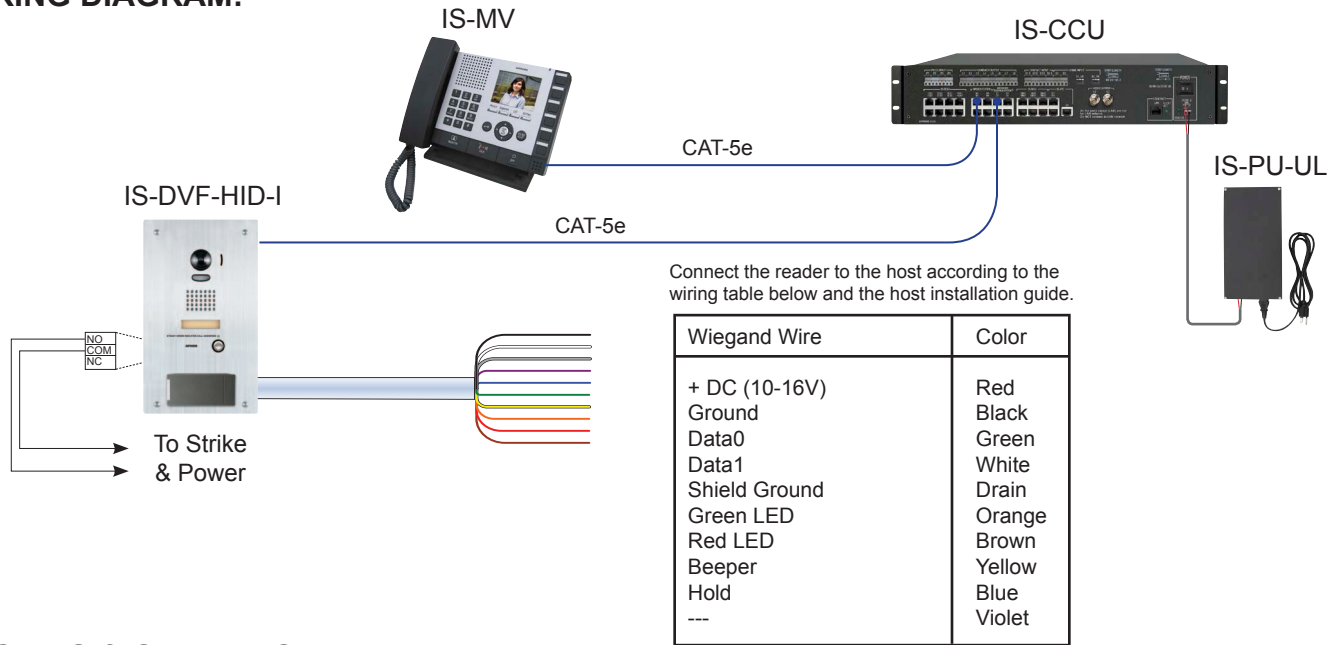
### PACKAGE CONTENTS:



### INSTALLATION:

- For flush mounting, cut a hole in the wall and use the supplied back box.  
Box dimensions are: 11-3/4" H x 5-13/16" W x 1-3/4" D
- For surface mounting, use the SBX-ISDVFP surface mount box.  
This box can mount to a standard 1 gang box or to any flat surface.

## WIRING DIAGRAM:



## TESTING & OPERATION:

- When power is applied to the iCLASS® reader, the LED will turn RED while the beeper beeps simultaneously 3 times (the last tone is a higher frequency). The LED will then flash once after the last tone. This indicates that the microcontroller is operating properly.
- Present an iCLASS ID card to the reader (hold card directly in front of reader). The LED will momentarily turn green while the beeper beeps once, indicating that the card was read successfully.

## SPECIFICATIONS:

### CARD READER:

Reader type: R10 (Rev. C)  
 Power Source: 10 ~ 16V DC  
 Current: 80mA (Avg); 300mA (peak)  
 Transmit Freq. 13.56 MHz  
 Terminations: Color-coded pre-wired pigtail  
 Wiring Distance: 500'  
 Operating Temp: 14° ~ 140°F / -10° ~ 60°C  
 Operating Humidity: 5-95% relative humidity non-condensing

### CAMERA:

Camera unit: CMOS camera  
 Scanning line: 525 lines  
 Min. illumination: 5 Lux at 1'6"  
 Terminations: RJ45 jack for audio/video  
 Screw terminals for door release  
 Operating Temp: 14° ~ 140°F / -10° ~ 60°C  
 Wiring Distance: 980' with Cat5e/6 cable  
 Dimensions: 12-3/8" H x 7" W  
 w/SBX-ISDVFP: 12-13/16" H x 7-1/16" W x 2-13/16" D (top), 1-13/16" D (bottom)

### FCC WARNING:

This device complies with Part 15 of the FCC rules.

Operation is subject to the following two conditions:

- (1) This device may not cause harmful interference.
- (2) This device must accept any interference that may cause undesired operation.
  - For proper regulatory compliance, the drain wire should be disconnected at the power supply end of the cable.
  - Changes or modifications not expressly approved by the party responsible for compliance could void the user's authority to operate the equipment.
  - The Reader is intended to be powered from a limited power source output of a previously certified power supply