

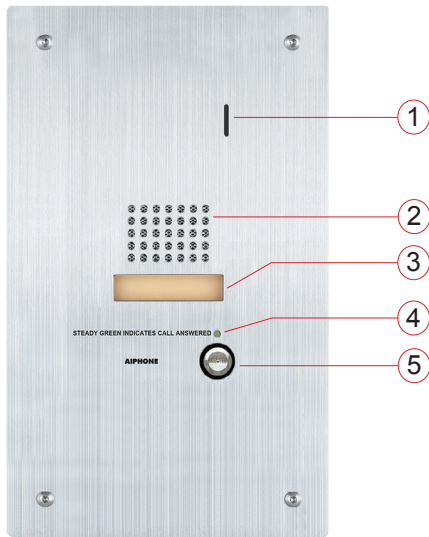
IS-SS-CI

Stainless Steel Flush Mount Door Station with Camera Input

-INSTRUCTIONS-

The IS-SS-CI is a stainless steel flush mount door station with a camera input. A call status indicator is included to meet ADA rescue assistance requirements. The IS-SS-CI must be programmed as a video door station and must connect to the IS-CCU or IS-SCU control units.

IS-SS-CI



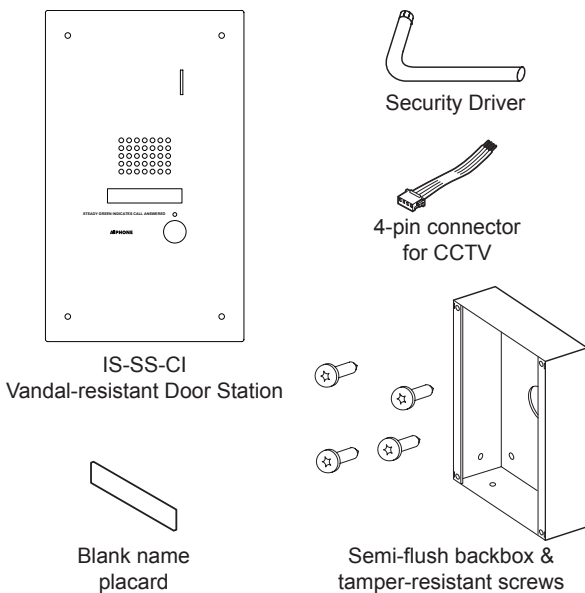
NAMES & FUNCTIONS:

- | | |
|-----------------|--------------------------|
| 1. Microphone | 4. Call status indicator |
| 2. Speaker | 5. Call button |
| 3. Name Placard | |

FEATURES:

- Audio communication with calling area
- LED call status indicator
- CCTV input (Analog NTSC 1Vpp)
- Two programmable relay outputs for activation of external systems/devices
- Name placard
- Stainless steel faceplate with tamper resistant screws

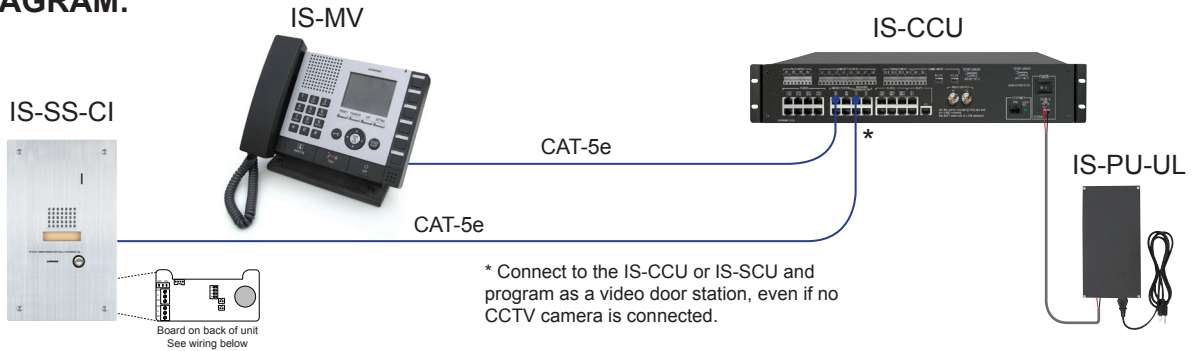
PACKAGE CONTENTS:



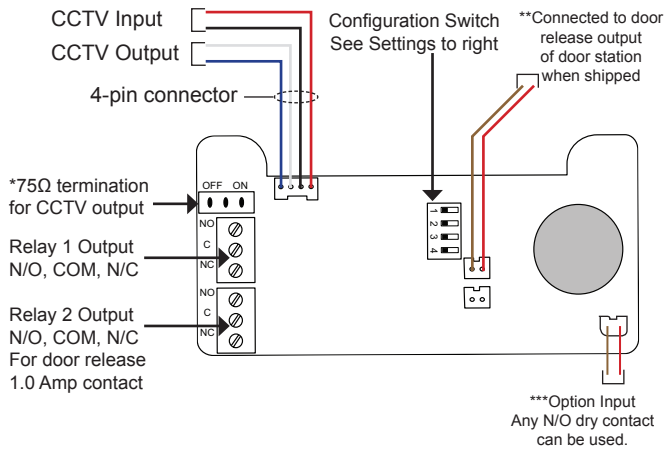
INSTALLATION:

- For flush mounting, cut a hole in the wall and use supplied back box. Box dimensions are: 11-1/16" H x 5-7/8" W x 1-3/4" D
- For surface mounting, use the SBX-ISDVFRA surface mount box. This box can mount to a standard 1-gang box or to any flat surface.

WIRING DIAGRAM:



RELAY BOARD WIRING AND SETTINGS:



Default Configuration when shipped

Relay 1 triggers on normal call, emergency call, and communication. Relay 2 triggers when the door release button of the master is pressed. Use this configuration if you need a larger relay contact than the 0.5 Amp supplied from the door station.

Trigger Source	RY1 Triggered?	RY1 Remains ON During Talking?	RY2 Triggered?	RY2 Remains ON During Talking?	RY2 Requires Reset?
Normal Call	YES	YES	NO	NO	N/A
Emergency Call	YES	YES	NO	NO	N/A
Talking	YES	YES	NO	NO	N/A
Door Release	NO	N/A	YES**	N/A	NO

Optional Configurations

Relay 1 triggers on normal call, emergency call, and communication. Relay 2 triggers on communication and remains on during communication.

Trigger Source	RY1 Triggered?	RY1 Remains ON During Talking?	RY2 Triggered?	RY2 Remains ON During Talking?	RY2 Requires Reset?
Normal Call	YES	YES	NO	N/A	N/A
Emergency Call	YES	YES	NO	N/A	N/A
Talking	YES	YES	YES	YES	NO
Door Release	NO	N/A	NO	N/A	N/A

*** Relay 1 triggers on normal call and communication. Relay 1 remains on during communication. Relay 2 triggers when option input is triggered and remains on during communication.

If using this configuration Relay 2 can not be used for door release. You must wire directly from the door station relay output for door release and disconnect the Red/Brown wires that are currently wired to the door station relay.

Trigger Source	RY1 Triggered?	RY1 Remains ON During Talking?	RY2 Triggered?	RY2 Remains ON During Talking?	RY2 Requires Reset?
Normal Call	YES	YES	NO	N/A	N/A
Emergency Call	YES	YES	YES	YES	NO
Talking	YES	YES	NO	N/A	N/A
Door Release	NO	N/A	NO	N/A	N/A

Contact Technical Support if additional switch configurations are required.

* Unit is shipped with the pin connector set to the ON position. Change pin connector to the OFF position to loop video from the CCTV output.

SPECIFICATIONS:

Terminations:	RJ45 jack for audio/video Screw terminals for door release and relay outputs
Relay rating:	24V AC/DC 0.5A on Door station, 24V AC/DC 1.0A on relay board
Camera Input:	Analog NTSC 1Vpp
Operating Temp:	14° ~ 140°F / -10° ~ 60°C
Wiring Distance:	980' with Cat5e/6 cable
Dimensions:	11-3/4" H x 7" W
w/SBX-ISDVFRA:	11-11/16" H x 7-1/16" W x 2-13/16" D (top), 1-13/16" D (bottom)

FCC WARNING:

This device complies with Part 15 of the FCC rules.

Operation is subject to the following two conditions:

- (1) This device may not cause harmful interference.
- (2) This device must accept any interference that may cause undesired operation.
 - For proper regulatory compliance, the drain wire should be disconnected at the power supply end of the cable.
 - Changes or modifications not expressly approved by the party responsible for compliance could void the user's authority to operate the equipment.