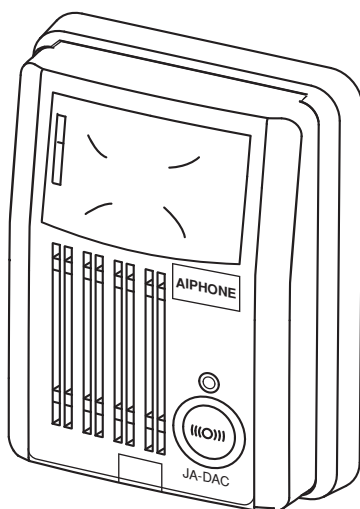








JA-DAC

PANTILT CAMERA DOOR STATION



JA-DAC
PanTilt camera door station

PRECAUTIONS

-  General Prohibitions
-  Prohibitions to dismantle the unit
-  Prohibitions to subject the unit to water
-  General Precautions

WARNING

(Negligence could result in death or serious injury to people)

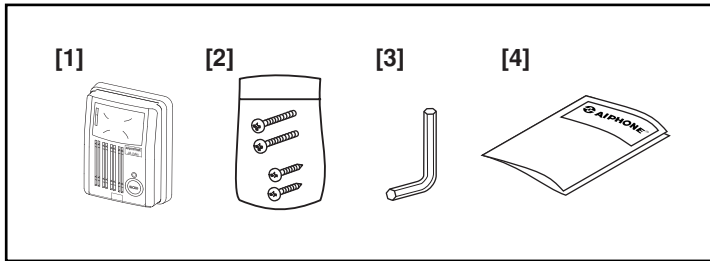
1. Do not dismantle or alter the unit. Fire or electric shock could result.
2. When existing chime wires are used, it is possible that they contain AC voltage. Electric shock or unit damage could result. Ask a qualified technician.

CAUTION

(Negligence could result in injury to people or damage to property)

1. Before turning on power, make sure wires are not crossed or shorted. Fire or electric shock could result.

1 PACKAGE CONTENTS

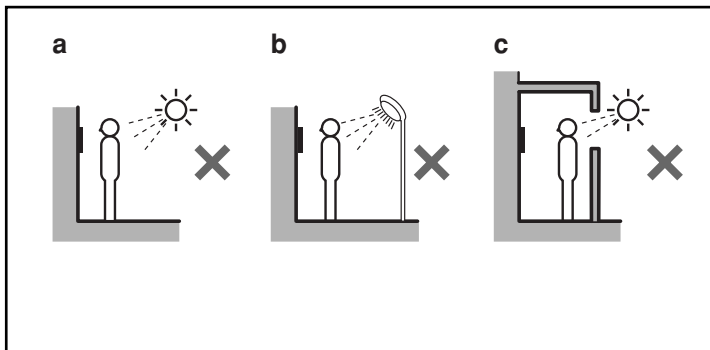


Package contents

- [1] JA-DAC
- [2] Packet of screws
- [3] Special screwdriver
- [4] INSTALLATION MANUAL

2 INSTALLATION

2-1



Mounting locations

Do not mount video door station in such places as standing location is strongly backlit.

- a. under direct sunlight
- b. under street light or porch light
- c. at doorway covered, but backlit strongly

2-2

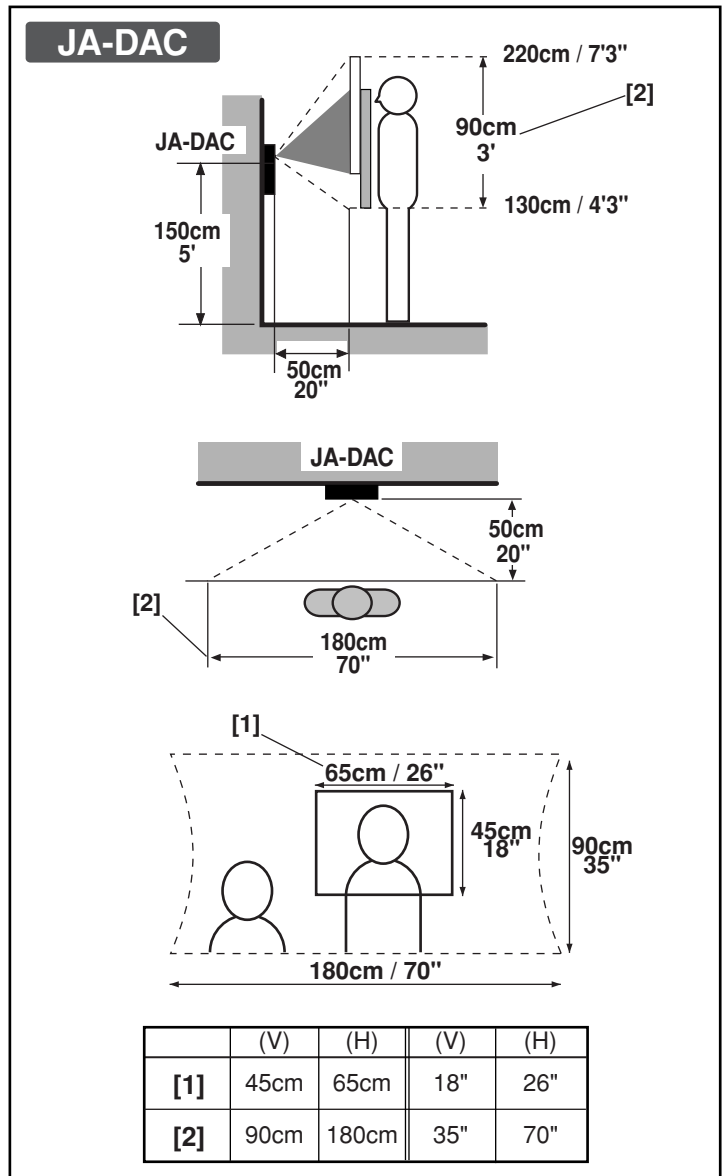
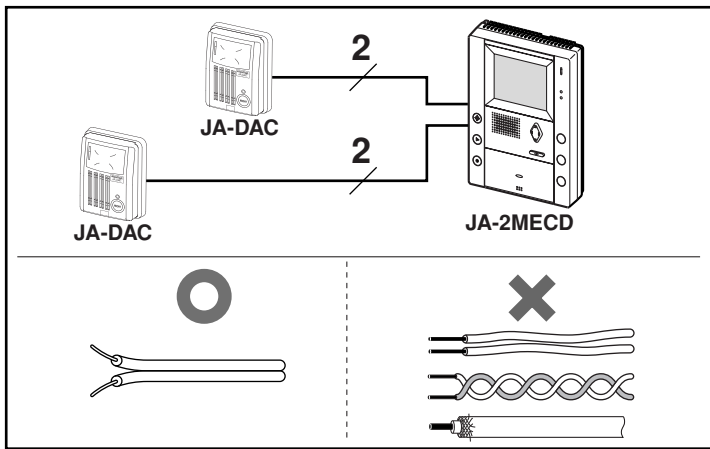


Image view area

- [1] View when the door camera is in straight forward position
 - [2] PanTilt view range when the door camera is moved horizontally or vertically by PanTilt control pad.
- (V): Vertical (H): Horizontal

	(V)	(H)	(V)	(H)
[1]	45cm	65cm	18"	26"
[2]	90cm	180cm	35"	70"

2-3

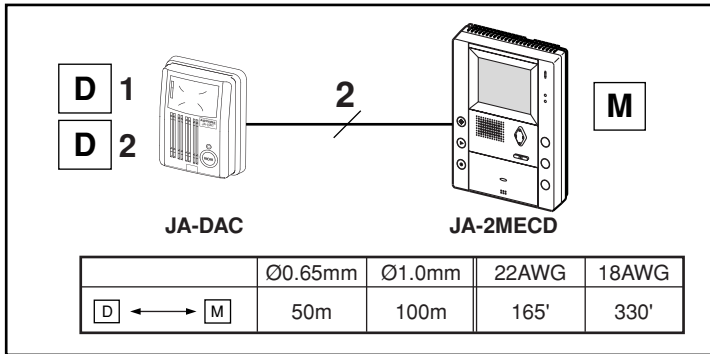


Cable

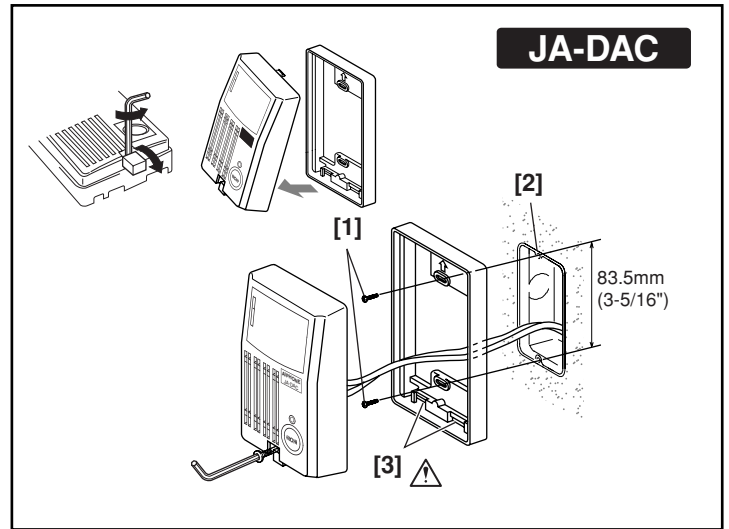
1. Parallel cable or single-sheathed cable are recommended. Vinyl jacket, PE(polyethylene) insulation cable is recommended.
2. Never use loose wires, twisted pair cable or coaxial cable.

2-4

Wiring distance



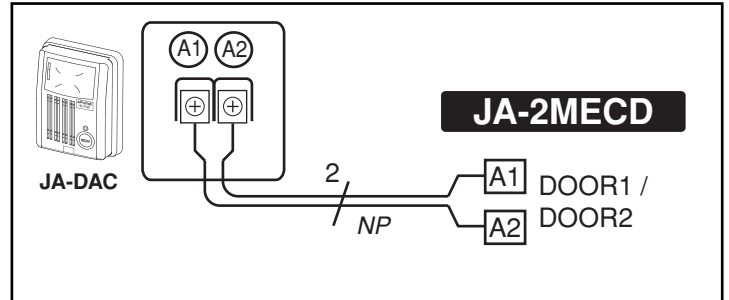
3 MOUNTING



Mounting (JA-DAC)

- [1] Screw (x2)
- [2] Single-gang box
- [3] Water escape hole
- ⚠ Do not apply caulking seals, etc. around door station.

4 WIRING



NP: Non-polarized

5 TECHNICAL PRECAUTIONS

Technical precautions

- Operating temperature: -10°C ~ +60°C (+14°F ~ +140°F).
- Cleaning: Clean the unit with a soft cloth dampened with neutral household cleaner. Do not use any abrasive cleaner or cloth.
- Door station is weather-resistant. But do not spray high-pressure water on door station directly. Unit trouble could result.

6 SPECIFICATIONS

Specifications

- Camera unit: CCD camera.
- Scanning line: 525 lines.
- Minimum illumination: 1 Lux or less at 30cm (1') distance.
- Dimensions: 130H x 98W x 47.5D (mm).
5-1/8"H x 3-7/8"W x 1-7/8"D
- Weight: 240g (0.53 lbs.) approx.

WARRANTY

Aiphone warrants its products to be free from defects of material and workmanship under normal use and service for a period of two years after delivery to the ultimate user and will repair free of charge or replace at no charge, should it become defective upon which examination shall disclose to be defective and under warranty. Aiphone reserves unto itself the sole right to make the final decision whether there is a defect in materials and/or workmanship; and whether or not the product is within the warranty. This warranty shall not apply to any Aiphone product which has been subject to misuse, neglect, accident, or to use in violation of instructions furnished, nor extended to units which have been repaired or altered outside of the factory. This warranty does not cover batteries or damage caused by batteries used in connection with the unit. This warranty covers bench repairs only, and any repairs must be made at the shop or place designated in writing by Aiphone. Aiphone will not be responsible for any costs incurred involving on site service calls.

This equipment has been tested and found to comply with the limits for a Class B digital device, pursuant to Part 15 of the FCC Rules. These limits are designed to provide reasonable protection against harmful interference in a residential installation. This equipment generates, uses, and can radiate radio frequency energy, and if not installed and used in accordance with the instructions, may cause harmful interference to radio communications. However, there is no guarantee that interference will not occur in a particular installation. If this equipment does cause harmful interference to radio or television reception, which can be determined by turning the equipment off and on, the user is encouraged to try to correct the interference by one or more of the following measures: • Reorient or relocate the receiving antenna. • Connect the equipment into an outlet on a circuit different from that to which the receiver is connected. Increase the separation between the equipment and receiver. • Consult the dealer or an experienced radio/TV technician for help.

 **AIPHONE**®
Providing Peace of Mind
<http://www.aiphone.com/>

AIPHONE CO., LTD., NAGOYA, JAPAN
AIPHONE CORPORATION, BELLEVUE, WA, USA
AIPHONE S.A., WISSOUS, CEDEX, FRANCE
Printed in Japan