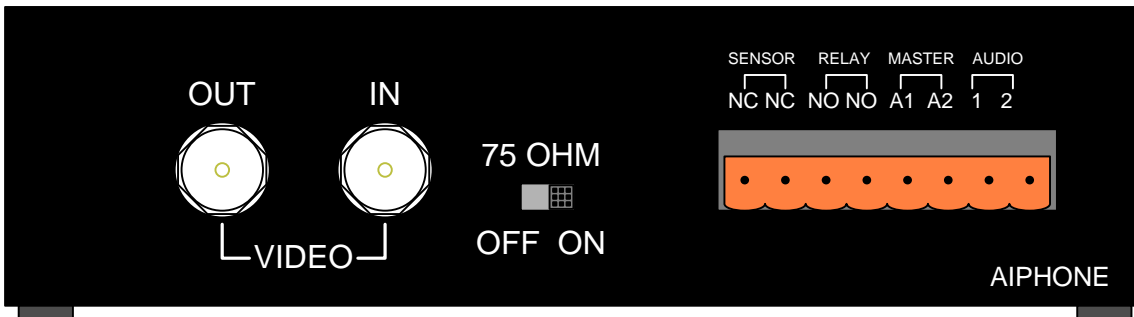


# JAW-AZ

## Video Modulator with Audio Door Station and CCTV Interface

### - INSTRUCTIONS -

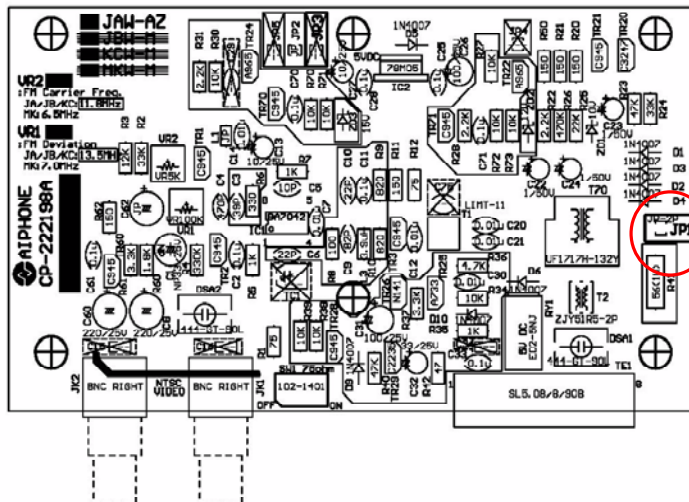
The JAW-AZ converts a standard CCTV camera's signal to a 2-wire signal, compatible with the JA Open Voice Color Video system. This allows the utilization of a color CCTV camera and a separate audio door station (JA-D) to be used in place of a JA video door station (Door 2 input only). Up to two additional CCTV cameras can be connected to the JA Monitor for video only (Adapter 1 & 2 inputs). A motion detector or other activation device can be connected to the Sensor input (in place of JA-D) to trigger the camera. Video output is provided for continual viewing and/or recording. The unit is equipped with a relay output to trigger an external device, such as a DVR or video switcher whenever the audio and/or video to the Aiphone monitor is on.



**TERMINAL DEFINITIONS:**

- AUDIO 1, 2: JA-D Audio door station input (**One per system, Master Door 2 input only**)
- MASTER A1, A2: Output from JAW-AZ to JA-2M(E)CD master input (A1,A2 or C1,C2)
- RELAY NO, NO: Normally Open relay contact, activated when JA monitor is on
- SENSOR NC, NC: Normally Closed contact, activates unit when tripped by motion detector or other device with N/C contacts. (Requires "SET" mode to be active on monitor)
- VIDEO IN: Composite input signal from CCTV camera
- VIDEO OUT: Composite output to external CCTV monitor, switcher, DVR, video input on another device
- 75 OHM SWITCH: Termination Switch. Set to OFF position when VIDEO OUT is connected to CCTV system. Set to ON position when video output is not used

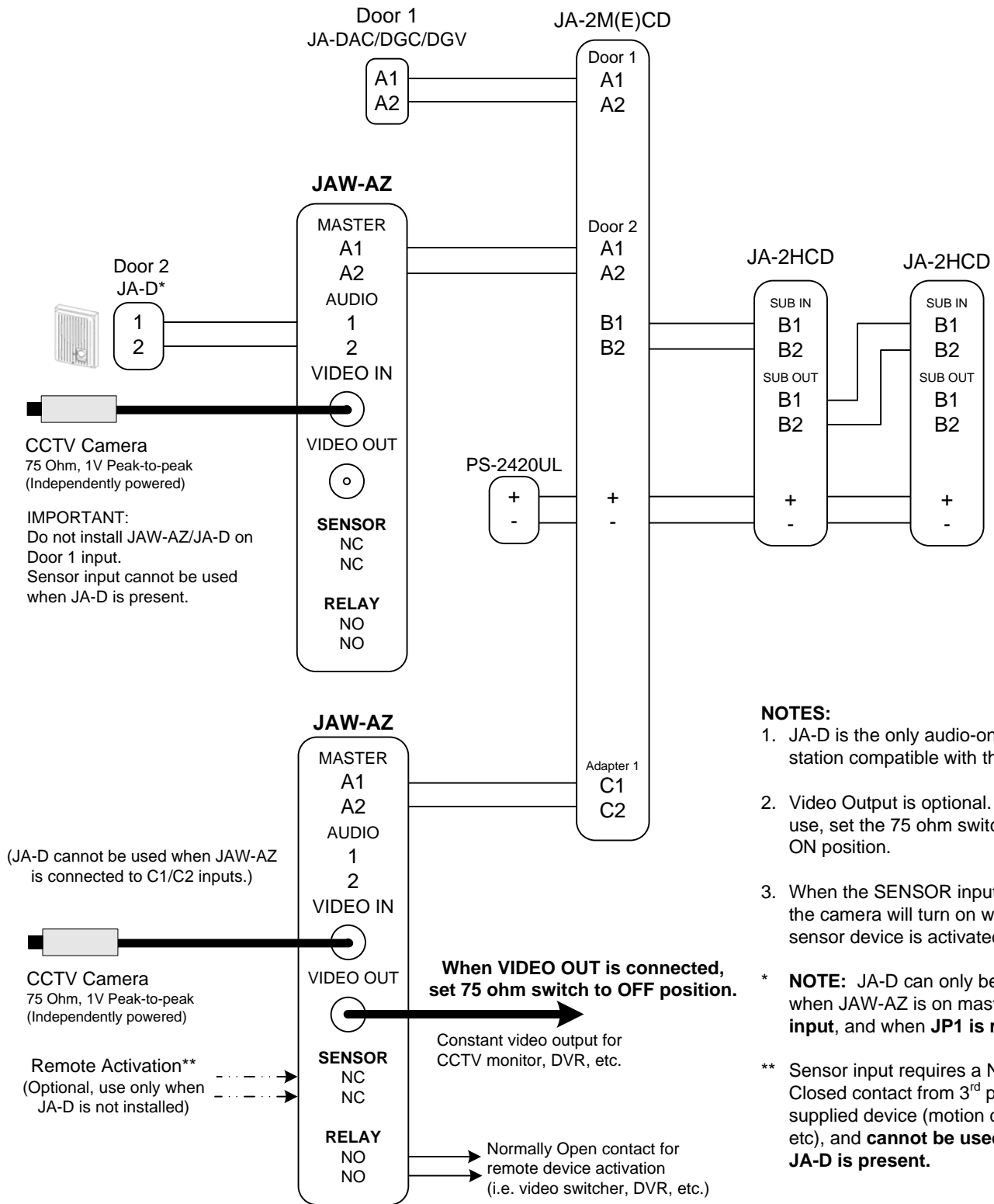
**INTERNAL ADJUSTMENT WHEN JA-D AUDIO DOOR STATION IS INCLUDED:**



**INSTRUCTIONS:**

1. Open unit by removing 5 small screws and lifting off cover.
2. Locate Jumper labeled JP1 on the right side of the PC board.
3. Remove the jumper completely, or move it so it is on just one of the posts.
4. Replace the cover and the 5 screws.

# WIRING DIAGRAM: JAW-AZ Modulator for Standard CCTV Camera and Audio-only Door Station



## NOTES:

1. JA-D is the only audio-only door station compatible with this system.
2. Video Output is optional. If not in use, set the 75 ohm switch to the ON position.
3. When the SENSOR input is used, the camera will turn on when the sensor device is activated.

\* **NOTE:** JA-D can only be used when JAW-AZ is on master **Door 2** input, and when **JP1** is removed.

\*\* Sensor input requires a Normally Closed contact from 3<sup>rd</sup> party supplied device (motion detector, etc), and **cannot be used when JA-D is present.**

## OPERATIONS

### Activation of the camera from a Monitor:

1. The CCTV camera can be viewed on any of the JA monitors in the system by pressing the MONITOR button repeatedly, cycling through each video device in order (door 1, door 2, adapter 1, adapter 2) until the desired camera is viewed. If the JA-D is connected to the JAW-AZ, they will be on the door 2 input. Incoming audio will activate when selected.
2. To initiate 2-way audio with the unit, press and release the TALK button momentarily. (Door 1 & 2 inputs only.)
3. To turn the monitor off, press the MONITOR button again. Otherwise, it will automatically time out after approximately 30 seconds.

### Activation of a camera by the Audio Door Station:

1. When the call button is pressed on the JA-D door station, the monitor will turn on with the image from the CCTV camera, and the chime will sound. The monitor will stay on approximately 30 seconds unless answered.
2. Press TALK momentarily to answer, speaking hands free. Press TALK again to conclude, or unit will time out automatically in approximately 1 minute.

### Interfacing Video with Other Systems:

1. VIDEO OUT connection simply passes the composite video signal on to a standard CCTV system, such as a monitor, input on a switcher, or DVR. This video signal is live as long as the camera is powered. When using this feature, set the 75 ohm switch to the OFF position.
2. SENSOR input allows a motion detector or other activation device to remotely turn on the camera. Use any device with a Normally Closed contact. If an audio door station (JA-D) is included, the sensor input cannot be used.
3. RELAY connection provides a Normally Open contact closure that can be connected to an external system. This contact will be closed whenever the Aiphone system is turned on. This can be wired into a record trigger input on a DVR or any other external device that needs to be notified when the video and audio is activated to the Aiphone monitor.

### Enabling / Disabling 'Surveillance' mode:

1. If the JAW-AZ is connected to the C1/C2 inputs of the JA-2M(E)CD, the SENSOR input will only be active if the master is put into 'Surveillance' mode.
2. Toggle the 'SET' button on the JA-2M(E)CD to enable surveillance mode. The SET button will illuminate red, and there will be a one minute delay before the sensor input on the JAW-AZ becomes active.
3. When the sensor contact triggers, the master will emit a tremolo alert tone. If JA-2MECD is used, the picture memory unit will be triggered.
4. Disable surveillance mode by toggling the SET button.

## SPECIFICATIONS:

Power:	Supplied by JA Monitor
Video Input & Output:	Composite 1V Peak-to-Peak, NTSC
Connector:	BNC
Audio Door input:	Use JA-D surface mount door station only <b>(Can only be used on "Door 2" input of JA-2MCD / JA-2MECD)</b>
Relay:	Normally open contact output, 24V DC, 1A
Sensor:	Normally closed contact input
Wire:	18AWG, 2-conductor, non-shielded, PE insulation, solid or stranded
Wiring distance:	Max. 330' from JAW-AZ to JA-2M(E)CD
Dimensions:	1-5/8"H x 7"W x 4"D

### FCC Class B Verification

NOTE: This equipment has been tested and found to comply with the limits for a Class B digital device, pursuant to Part 15 of the FCC Rules. These limits are designed to provide reasonable protection against harmful interference in a residential installation. This equipment generates, uses, and can radiate radio frequency energy and, if not installed and used in accordance with the instructions, may cause harmful interference to radio communications. However, there is no guarantee that interference will not occur in a particular installation. If this equipment does cause harmful interference to radio or television reception, which can be determined by turning the equipment off and on, the user is encouraged to try and correct the interference by one or more of the following measures:

- Reorient or locate the receiving antenna.
- Increase the separation between the equipment and receiver.
- Connect the equipment into an outlet on a circuit different from that to which the receiver is connected.
- Consult the dealer or an experienced radio/TV technician for help.

### Note:

Only information pertaining to the connection and operation of the JAW-AZ and devices interfacing with it are included here. For complete installation, wiring, and operational information about the JA-2M(E)CD system, please refer to the Installation Manual included with the monitor.