

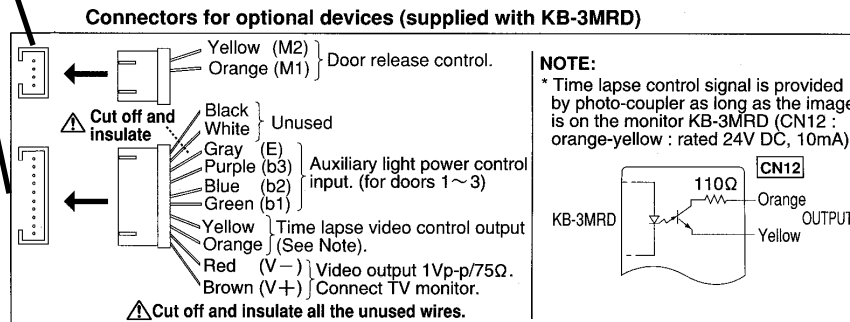
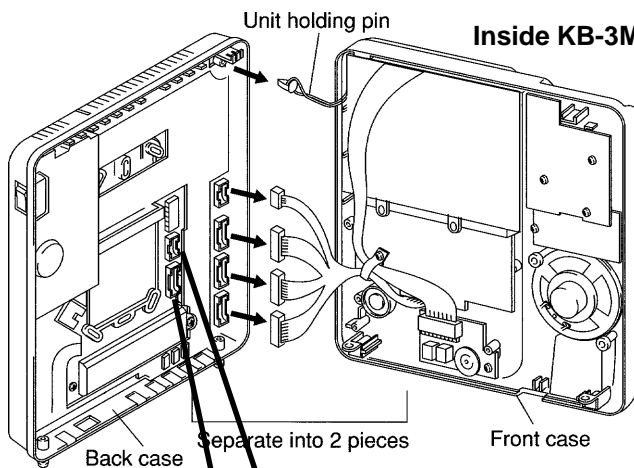
# KB 3x5 Color Video Sentry Series

## KB-3MRD Main Station

### - SUPPLEMENTAL INSTRUCTIONS -

The following options can be included in the KB Series Color Video system:

- Selective Door Release (add RY-3DL)
- Selective activation of external light when door station is on (add MAW-B relay for each door)
- Composite video output signal when the system is on (connector included)
- Time lapse recorder activation when a door station calls (connector included)
- Picture Memory (Add one KC-32EU per video door where memory is required)



#### Selective Door Release and Light Control

CN12 Wire Color Code:

- Green = Door 1
- Blue = Door 2
- Purple = Door 3
- Gray = Common for Light Control

CN11:

- Yellow & Orange = Contact Closure for door release

#### Video Output

CN12 Wire Color Code:

- Brown = Composite video + (to center of coax)
- Red = Composite video - (to braid of coax)
- Yellow & Orange = Output to activate record function