

VIDEO SENTRY COLOR TILT AUDIO SUB-MASTER STATION

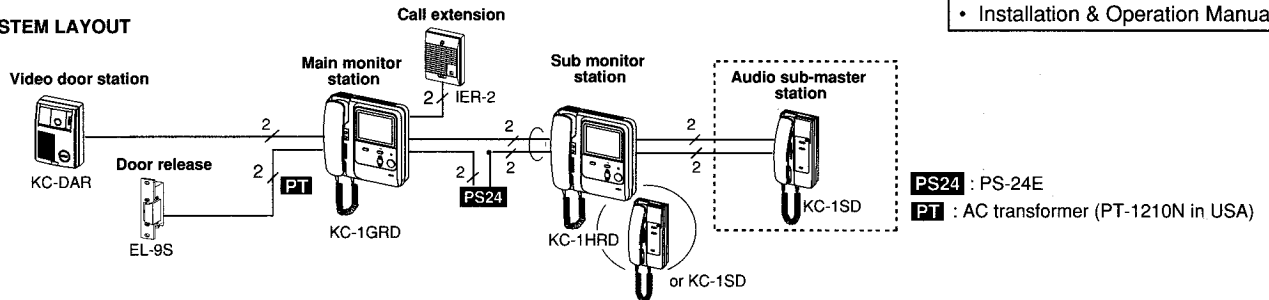
Model: **KC-1SD**

INSTALLATION & OPERATION MANUAL

1 SYSTEM OUTLINE & COMPONENTS

KC-1SD is an Audio-only sub-master station for use with VIDEO SENTRY COLOR TILT audio video entry security intercom KC-1GRD.

SYSTEM LAYOUT

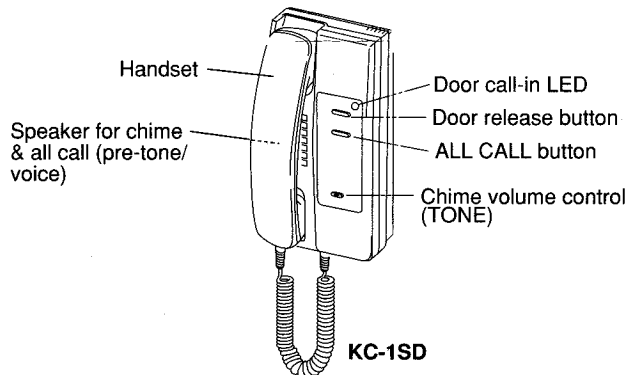


Description	Models	Quantity
Video door station	KC-DAR	1 pce
Main monitor station	KC-1GRD	1 pce
Sub monitor station	KC-1HRD	Max. 2 pcs
Audio sub-master station	KC-1SD	Used in lieu of KC-1HRD (max. 2 pcs)
Power supply	PS-24E	1 pce ~. Varies by system.

PACKAGE CONTENTS

- Audio sub-master station (KC-1SD)
- Mounting bracket
- Packet of screws
- Installation & Operation Manual

2 NAMES & FEATURES



FEATURES

- Audio only sub-master station capable of answering door, striking door & placing all call for internal calling.
- Front chime volume control. Can be cut off.
- Single-gang wall mounting.

3 INSTALLATION

* Before actually mounting KC-1SD, the contents of Manuals of KC-1GRD must be thoroughly read and understood.

1. Second room station

In KC-1GRD system, install one or two KC-1SD station(s) in place of sub-monitor station KC-1HRD.

2. Mounting location

KC-1SD is designed for wall-mounting only.

3. Cable

Use 2-conductor parallel cable for audio/video wires, which is loop-wired and not homerun, plus another pair for power supply in the same or separate jacketed cable.

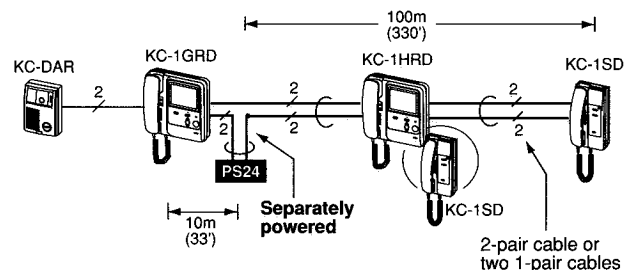
Cable specifications:

- 0.65mm ϕ ~1.0mm ϕ (22AWG ~ 18AWG).
- Vinyl jacketed and PE(polyethylene) insulation is recommended.

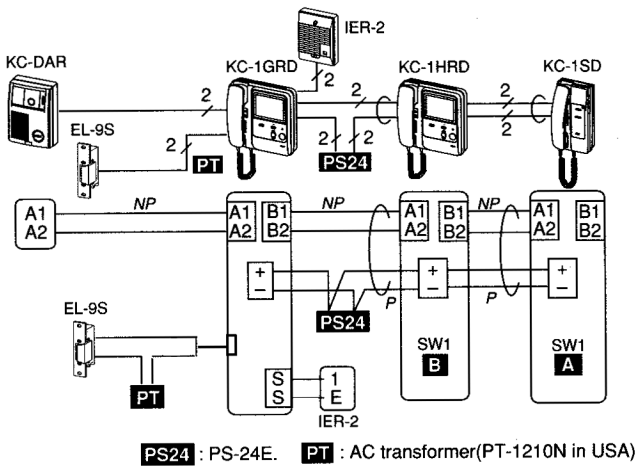
4. Power supply

Single power supply PS-24E suffices for up to three monitor stations. But be sure to **separately** run 2-cond. wire from PS-24E power supply to each main monitor station and sub monitor station.

KC-1GRD 3-station system



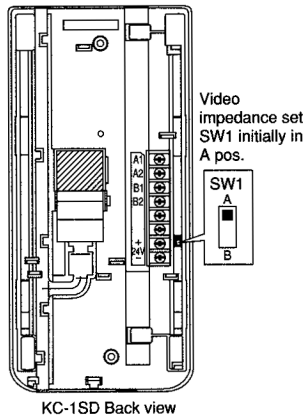
4 WIRING DIAGRAM



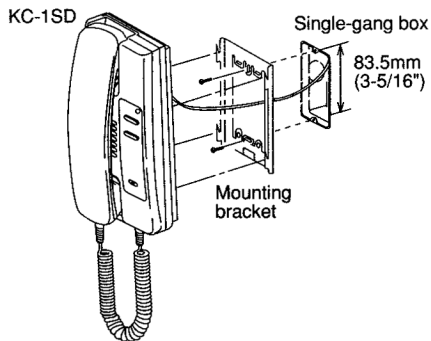
• Impedance SW1 setting

	KC-1GRD	KC-1HRD	KC-1SD
SW1	None	B	A
SW1	KC-1GRD	KC-1SD 1	KC-1SD 2

- Wrong impedance switch setting on one sub station is notified by tremolo warning tone, sounding at all the stations. Set properly and turn off and on power switch in KC-1GRD.
- Do not use any vacant terminal for relay or other purpose.



5 MOUNTING



1. Separate the mounting bracket on back of chassis.
2. Attach the mounting bracket to box or wall.
3. Connect wires on back of chassis.
4. Seeing the marks, insert the prongs of the bracket into the holes on chassis, and pull the unit downward until it locks.

6 OPERATIONS

Answer door When door station calls, 4-tone chime sounds, with blinking red LED, 30 sec. timed(approx.). Lift KC-1SD handset to answer door. Communicate and it times out in 2-1/2 minutes(approx.).

Internal call The other station calls in with pre-tone and voice is heard from speaker. ALL CALL button blinks red. Your KC-1SD station will not be heard by the initiator. Pick up and reply (the light is steadily lit).

Place a call Lifting handset, momentarily press ALL CALL button. Upon pre-tone heard, call by voice, passing through the other two stations. Communicate with both handsets. Hang up at the end.

Transfer door call Press ALL CALL button and tell the transferred station to pick up for a door call. Hang up. At the transferred station, pick up for internal call, and momentarily hook down to connect the door. At the end, hang up.

Answer door (during internal communication) Chime tone sounds from speaker. Hang up both handsets to end internal call. ALL CALL button blinks. Answering station repicks up to communicate with the door.

Strike door After identifying a caller, depress DOOR RELEASE button. Door strikes as long as the button is held down.

7 TECHNICAL PRECAUTIONS

- **Temperature:** KC-1SD is rated to operate at temperatures between 0°C ~ 40°C(32°F ~ 104°F).
- **Cleaning:** Clean KC-1SD with a soft cloth dampened with neutral household cleanser. Never use any abrasive cleaner or cloth.

8 SPECIFICATIONS (KC-1SD)

Power source:	24V DC.							
Current consumption:	Max. 70mA. 50mA standby.							
Door call-in:	4-tone chime w/red LED blinking, 30 sec. (approx.)							
Internal calling:	Pre-tone & voice w/ALL CALL button blinking.							
Communication:	Simultaneous with handset.							
Wiring:	2-pair cable, KC-1GRD/1HRD to KC-1SD.							
Wiring distance:	<table border="1"> <tr> <td>Diameter /AWG</td> <td>1.0mmø</td> <td>18AWG</td> </tr> <tr> <td>• KC-1GRD ~ KC-1SD</td> <td>100m</td> <td>330'</td> </tr> </table>		Diameter /AWG	1.0mmø	18AWG	• KC-1GRD ~ KC-1SD	100m	330'
Diameter /AWG	1.0mmø	18AWG						
• KC-1GRD ~ KC-1SD	100m	330'						
Housing:	ABS plastic.							
Color:	Snow white.							
Dimensions:	210H x 100W x 73.5D (mm). 8-1/4"H x 4" W x 3" D.							
Weight:	Approx. 550g (1.21 lbs.).							

WARRANTY

Aiphone warrants its products to be free from defects of material and workmanship under normal use and service for a period of one year after delivery to the ultimate user and will repair free of charge or replace at no charge, should it become defective upon which examination shall disclose to be defective and under warranty. Aiphone reserves unto itself the sole right to make the final decision whether there is a defect in materials and/or workmanship; and whether or not the product is within the warranty.

This warranty shall not apply to any Aiphone product which has been subject to misuse, neglect, accident, or to use in violation of instructions furnished, nor extended to units which have been repaired or altered outside of the factory. This warranty does not cover batteries or damage caused by batteries used in connection with the unit.

This warranty covers bench repairs only, and any repairs must be made at the shop or place designated in writing by Aiphone. Aiphone will not be responsible for any costs incurred involving on site service calls.

AIPHONE CO., LTD., NAGOYA, JAPAN
AIPHONE CORPORATION, BELLEVUE, WA, USA
AIPHONE EUROPE N.V., ANTWERP, BELGIUM

KC-1SD-I(E) 1099A

COMMUNICATION SYSTEMS
AIPHONE[®]
HOME, BUSINESS, INDUSTRY.
Printed in Japan (E)