

# LEF 1-CAMERA ADAPTOR

Model;

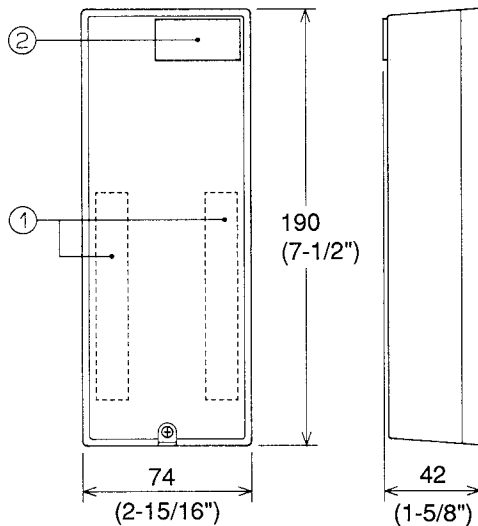
**MFW-P1**

(1-camera video adaptor for LEF system)

## INSTRUCTIONS

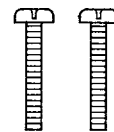
### 1

### NAMES AND FUNCTIONS

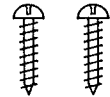


- ① Terminal section
- ② Reset switch

#### Mounting accessories;



SCREW (2)

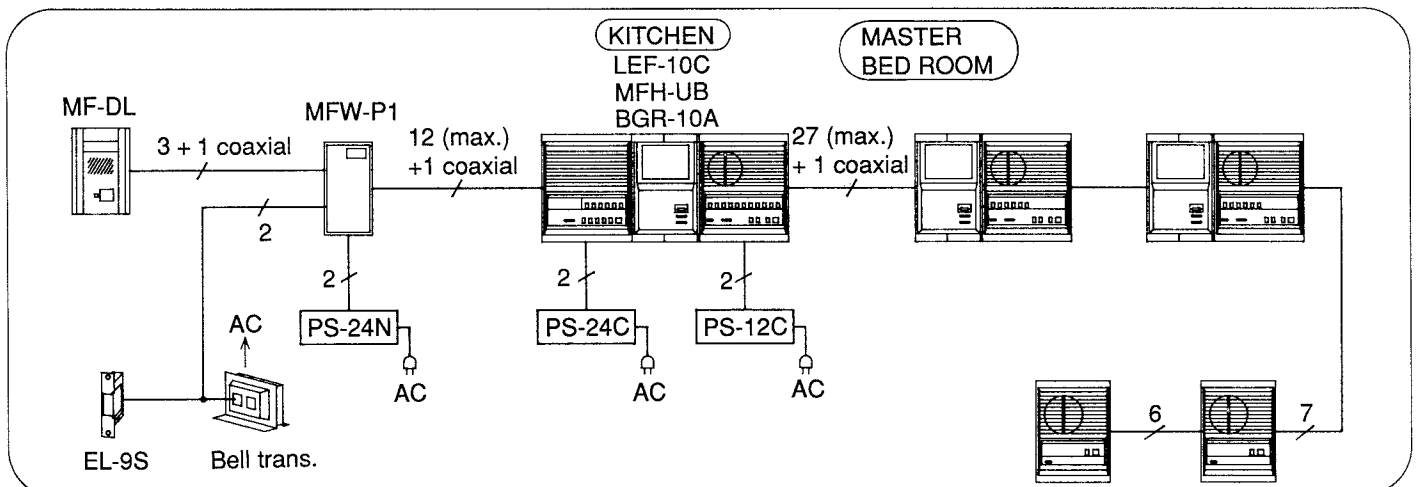


WOOD SCREW (2)

### 2

### FEATURES & LAYOUT

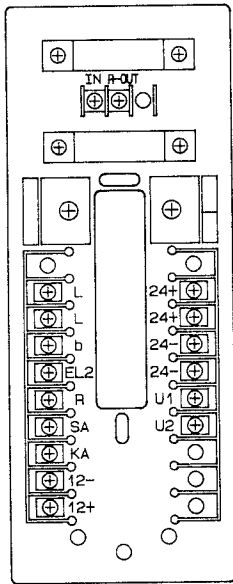
- \* Accepts one video door station for your LEF system (LEF, LEF-B & LEF-C).
- \* Includes control for door release.
- \* Surface-mounts to single-gang box.
- \* Max. 3 inside video monitors powered by a single power supply can be expanded to max. 10 video monitor system. (one PS-24N power supply for every 3 video monitors)



# 3

## INSTALLATION

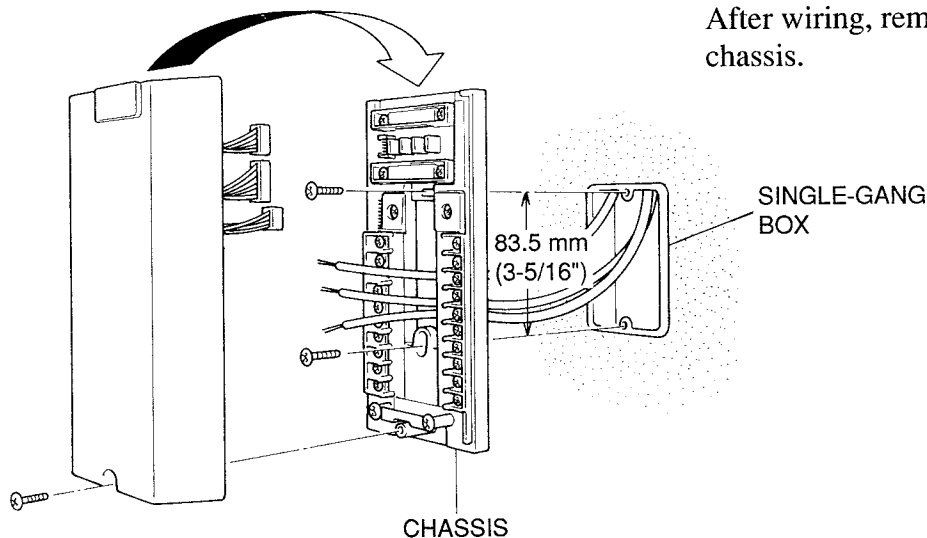
### (1) ACTUAL TERMINAL LOCATION;



- IN** : for connecting coaxial cable to MF-DL.
- R-OUT** : for connecting coaxial cable to MFH-UB.
- L** , **L** : for door release.
- b** : for illumination lamp control.
- R** : for occupied LED.
- EL2** : for door release control.
- 12+** , **12-** : for communication power supply.
- KA** : for camera control.
- SA** : for calling detection.
- 24+** , **24-** : for power supply.
- U1** : for input control.
- U2** : for output control.

### (2) WALL-MOUNTING;

Attach the chassis to SINGLE-GANG BOX with the supplied 2 screws.  
After wiring, remount the cover to the chassis.

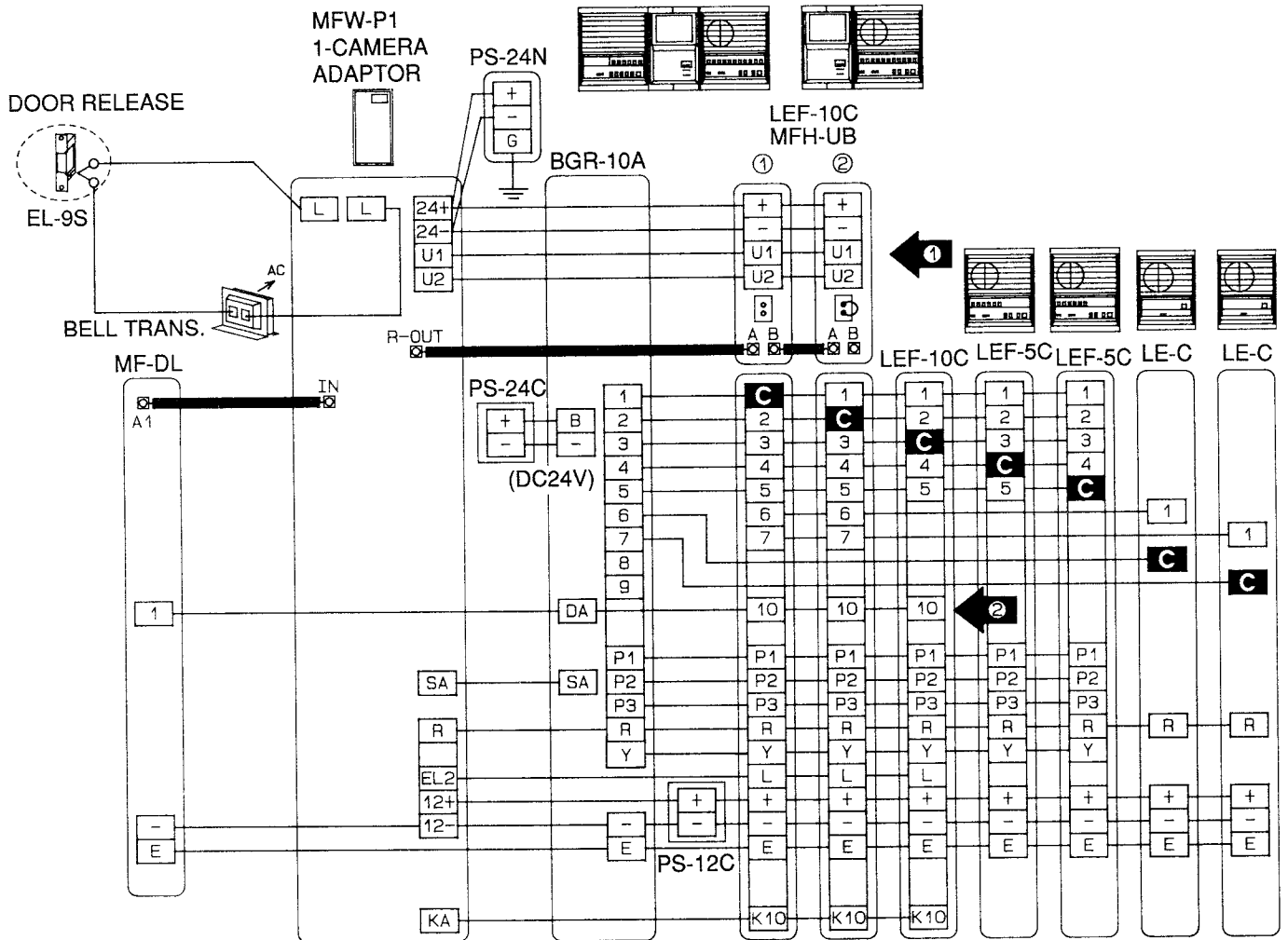


# 4

## WIRING DIAGRAM

### (1) LEF-10C video system (intermixed system)

This diagram illustrates LEF-10C master stations (max. 3) can reply to door station call. LE-C subs can call and communicate with masters Nos. 1 & 2 (max. 2). Any station can receive all call and background music.



#### NOTES;



#### MFH-UB video monitors;

The 3rd MFH-UB is optional. Up to 3 video monitors can be powered by a single PS-24N. Max.10 video monitors per system. Install a PS-24N for MFH-UB Nos. 4 ~ 6, and another PS-24N for MFH-UB Nos. 7 ~ 9.

Leave  $\oplus$  terminal unconnected between MFH-UB Nos. 3 and 4, and between Nos. 6 and 7.

Leave impedance matching plug in on last MFH-UB only.



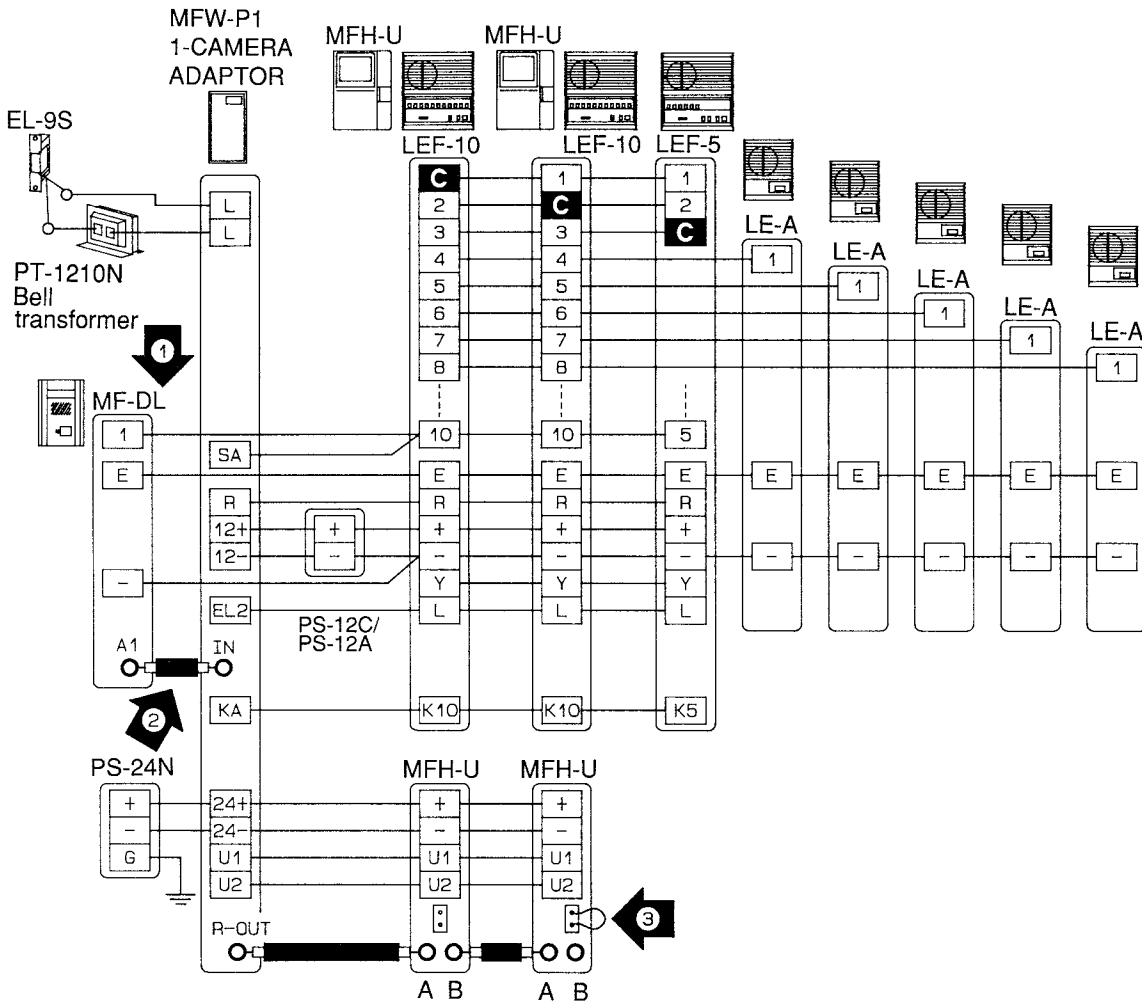
For door station call-in, max. 3 master stations can be receptionists, while max. 2 master stations can be connected to each inside sub station.

#### INSTALLATION

When mounting MFH video monitor, be sure to locate MFH to the left of the LEF unit, in order not to pick up noise from the CRT.

## (2) LEF-10 VIDEO SYSTEM (Without BGR-10A Music Center)

This illustrates LEF-10 video system without background music capability.  
 Door station call-in can be received at max. 3 room stations.  
 As to LE-A, AN room sub station connect to not more than two masters.



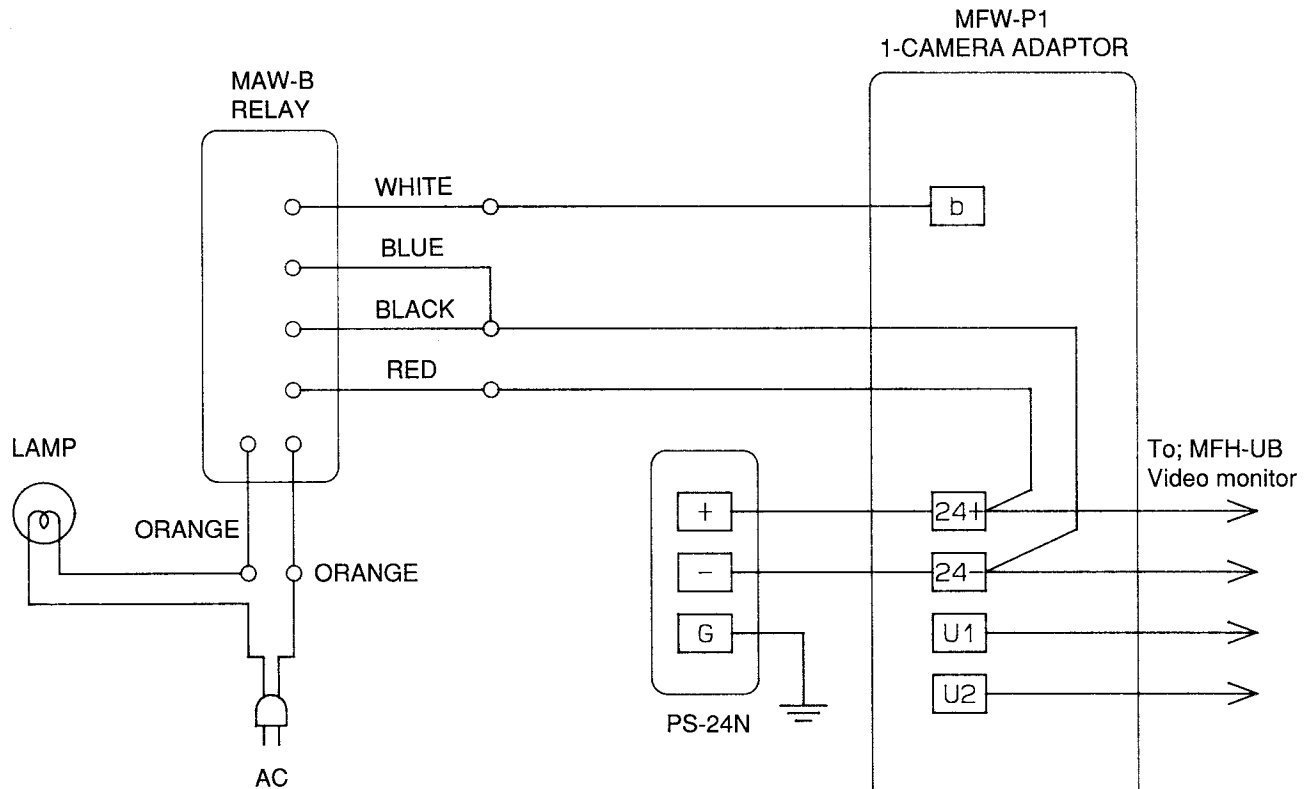
### NOTES;

- 1 Connect 3 intercom wires from MF-DL to LEF-10 directly.
- 2 Coaxial cable; 5C-2V or RG-59/U with solid copper core and copper braid.
- 3 Leave impedance matching plug in on last MFH-U only.

### INSTALLATION

When mounting MFH video monitor, be sure to locate MFH to the left of the LEF unit, in order not to pick up noise from the CRT.

### (3) When installing an illumination lamp;



## 5 OPERATIONS

### \* When MF-DL video door station calls in;

When call button is pressed on MF-DL, electronic mono tone (or chime tone, if connected to BGR-10A) sounds and image appears on inside video monitors.

Reply within 45 seconds.

Depress a corresponding selector button, and communicate by pressing TALK button.

To listen, release TALK button.

Depress DOOR RELEASE button (Door release can be activated also in non-communicating mode).

After communication, depress OFF button, and the image goes off.

(the image is on for approx. 2 minutes and half after station selection).

### \* Monitoring;

To monitor the outside, press VIDEO MONITOR button, and the image appears for approx. 2 minutes and half.

\* When system does not work properly, press reset switch on MFW-P1 adaptor and restart.

# 6

## SPECIFICATIONS

* Power source	DC 24V & DC 12V. Use power supplies PS-24N & PS-12C or PS-12A.																		
* Current consumption	0.6A (max.) (without video monitor included). Less than 0.1A (standby).																		
* Wiring	Max. 12 wires & one coaxial cable (to BGR-10A/MFH-UB/LEF-10C) * 4 wires & one coaxial cable (to MFH-UB) (2 unconnected) * 3 wires (to BGR-10A) 3 wires & one coaxial cable (to MF-DL) (2 unconnected) 3 wires (to MAW-B relay)																		
* Wiring distance	<p>■ Between MF-DL &amp; MFW-P1;</p> <table border="1"> <tr> <td>COAXIAL CABLE DIAM./AWG</td> <td>5C-2V 0.65 mm</td> <td>RG-59/U(20GA) 22AWG</td> </tr> <tr> <td>DISTANCE</td> <td>150 m</td> <td>495'</td> </tr> </table> <p>■ Between MFW-P1 &amp; MFH-UB;</p> <table border="1"> <tr> <td>COAXIAL CABLE DIAM./AWG</td> <td>5C-2V 0.65 mm</td> <td>RG-59/U(20GA) 22AWG</td> </tr> <tr> <td>DISTANCE</td> <td>75 m</td> <td>245'</td> </tr> </table> <p>■ Between MFW-P1 &amp; PS-24N;</p> <table border="1"> <tr> <td>DIAM./AWG</td> <td>1.0 mm</td> <td>18AWG</td> </tr> <tr> <td>DISTANCE</td> <td>10 m</td> <td>33'</td> </tr> </table>	COAXIAL CABLE DIAM./AWG	5C-2V 0.65 mm	RG-59/U(20GA) 22AWG	DISTANCE	150 m	495'	COAXIAL CABLE DIAM./AWG	5C-2V 0.65 mm	RG-59/U(20GA) 22AWG	DISTANCE	75 m	245'	DIAM./AWG	1.0 mm	18AWG	DISTANCE	10 m	33'
COAXIAL CABLE DIAM./AWG	5C-2V 0.65 mm	RG-59/U(20GA) 22AWG																	
DISTANCE	150 m	495'																	
COAXIAL CABLE DIAM./AWG	5C-2V 0.65 mm	RG-59/U(20GA) 22AWG																	
DISTANCE	75 m	245'																	
DIAM./AWG	1.0 mm	18AWG																	
DISTANCE	10 m	33'																	
* Dimensions & weight (H x W x D)	190 x 74 x 42 (mm); 7-1/2" x 2-15/16" x 1-5/8" Approx. 270g (0.60 lbs.).																		

### WARRANTY

Aiphone warrants its products to be free from defects of material and workmanship under normal use and service for a period of one year after delivery to the ultimate user and will repair free of charge or replace at no charge, should it become defective upon which examination shall disclose to be defective and under warranty. Aiphone reserves unto itself the sole right to make the final decision whether there is a defect in materials and/or workmanship; and whether or not the product is within the warranty.

This warranty shall not apply to any Aiphone product which has been subject to misuse, neglect, accident, or to use in violation of instructions furnished, nor extended to units which have been repaired or altered outside of the factory.

This warranty does not cover batteries or damage caused by batteries used in connection with the product.

This warranty covers bench repairs only, and any repairs must be made at the shop or place designated in writing by Aiphone.

Aiphone will not be responsible for any costs incurred involving on site service calls.

Aiphone Co., Ltd. Nagoya, Japan  
Aiphone Corporation, Bellevue, WA, USA

COMMUNICATION SYSTEMS  
**AIPHONE**  
HOME, BUSINESS, INDUSTRY.

MFW-P1-I (E) 1291C

Printed in Japan (E)