

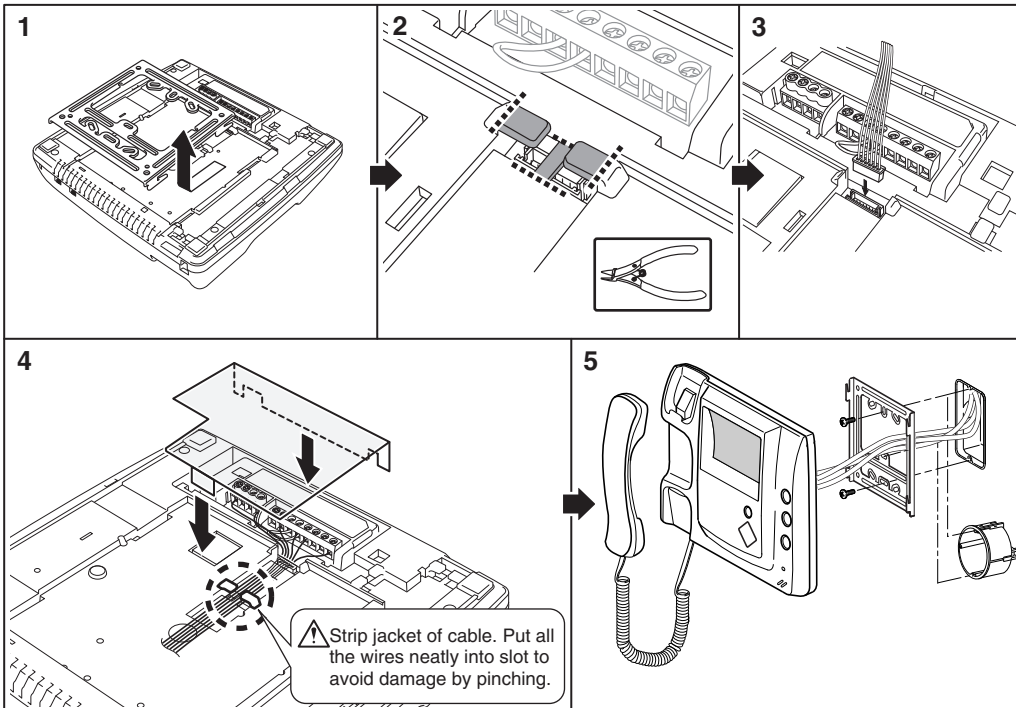
# 6-PIN CONNECTOR

*for Optional Functions*

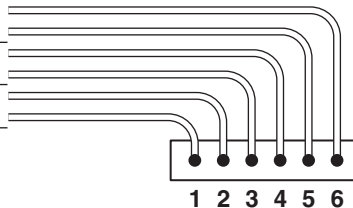
## MOUNTING INSTRUCTIONS

■ **MOUNTING**

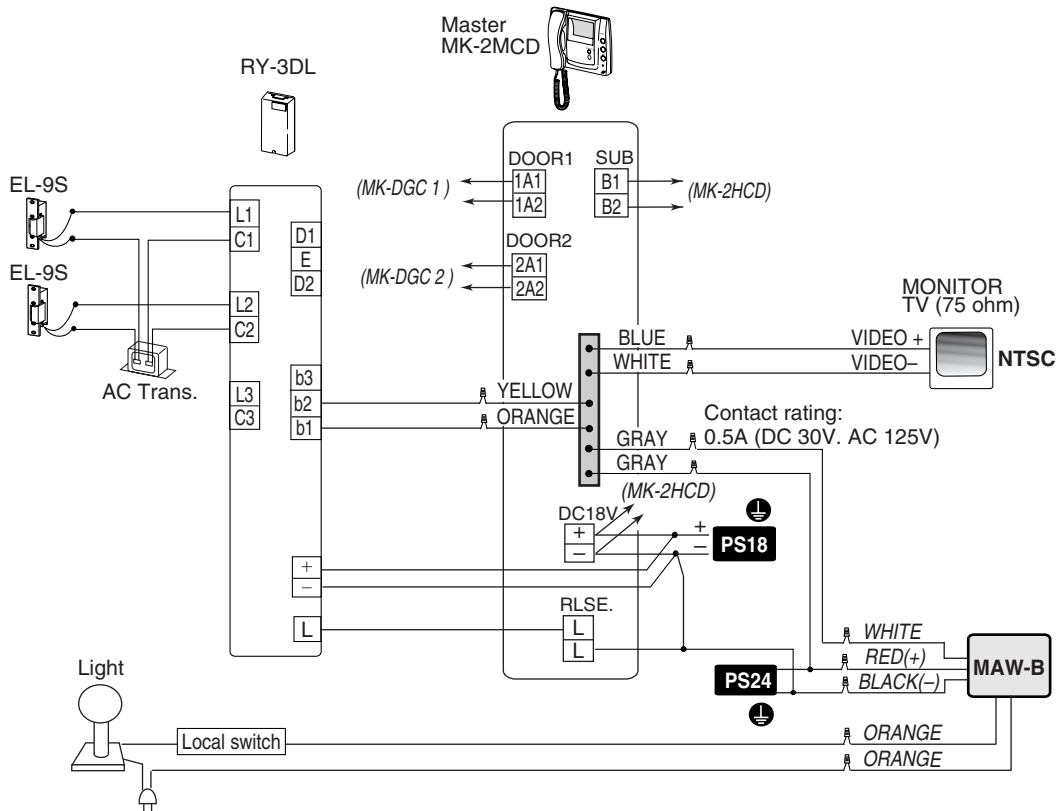
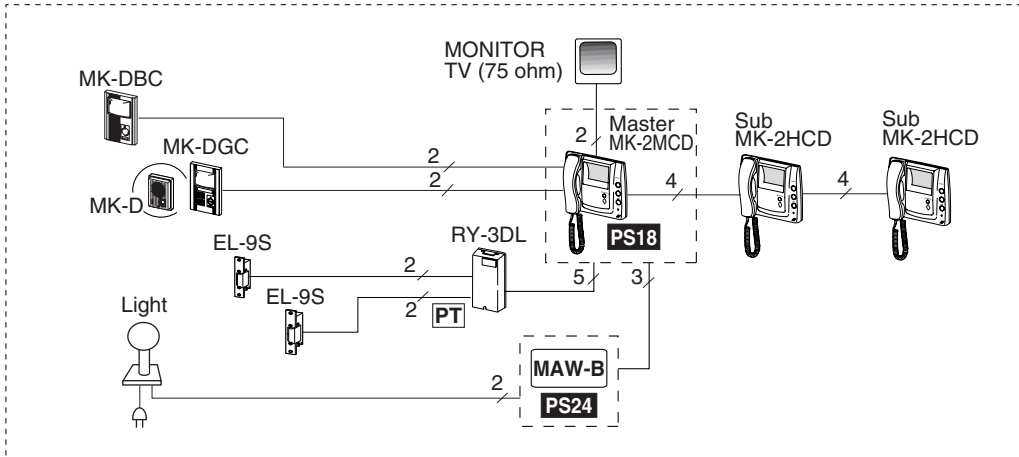
1. Take the mounting bracket off of the monitor unit.
2. Cut out the cable knock-out, as shown by the dotted lines.
3. Plug the 6-pin connector into slot.
4. Connect the wires to the terminal block. Attach the protection shield.
5. Attach the mounting bracket to a box. Mount the monitor unit onto the bracket.



| FOR MODELS                          | FUNCTION                                 | (WIRE)   |
|-------------------------------------|--|----------|
| MK-1GD, MK-1HD,<br>MK-2MCD, MK-2HCD | Ext. device control<br>porch light, etc. | (Gray)   |
|                                     |  | (Gray)   |
| MK-2MCD                             | b1*RY-3DL<br>b2*RY-3DL                   | (Orange) |
|                                     |  | (Yellow) |
| MK-1GD, MK-2MCD                     | VIDEO -<br>VIDEO +                       | (White)  |
|                                     |  | (Blue)   |



## 6PIN CONNECT OR WIRING DIAGRAM for MK-2MCD & MK-1GD



NOTE: YELLOW & ORANGE wire provides selective door release control with RY-3DL adaptor. Works for MK-2MCD only.

**PS18** : PS-1820DIN, PS-1820S, PS-1820UL (2A) **PS24** : 24V DC power supply for MAW-B or Relay locally available.