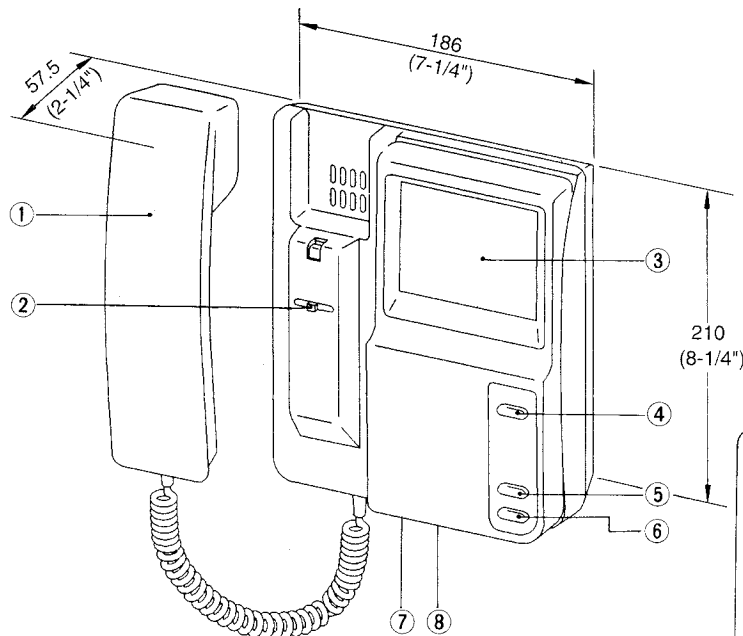


2-WIRED VIDEO ENTRY SECURITY SYSTEM

Model; **MY-1BD** (Room station w/video monitor)

INSTRUCTIONS

1 NAMES AND FUNCTIONS



- ① Handset
- ② Chime tone volume control
- ③ Video monitor 4" CRT
- ④ DOOR RELEASE button
- ⑤ BACKLIGHT button
- ⑥ Video monitor button
- ⑦ Contrast switch
- ⑧ Brightness control

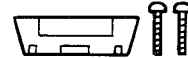
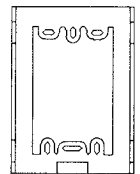
Mounting accessories;



SCREW (2)



WOOD SCREW (2)

STAND & SCREW (2)
(for desk use)MOUNTING
BRACKET

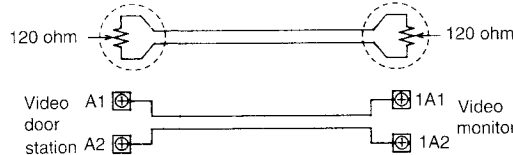
2 FEATURES

- * MY-1BD is a room master station with built-in video monitor for use with MY-CB video door station.
- * Confirm a visitor visually before you answer.
Picture comes on at video monitor right after CALL button is pressed on video door station.
- * Employs a 4-inch direct view and flat screen monitor.
- * MONITOR button allows you to see the outside without picking up handset.
- * DOOR RELEASE button to activate electric door release.
- * Infrared CCD camera clearly sees the image in the dark.
- * BACKLIGHT button brightens the caller's face strongly backlit.
- * Camera angle can be changed on MY-CB upon installation.

3 BEFORE YOU INSTALL AND OPERATE THE EQUIPMENT - Prohibitions and precautions -

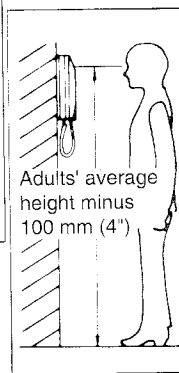
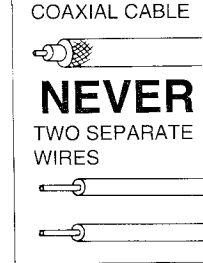
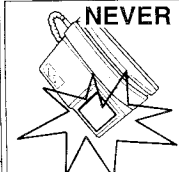
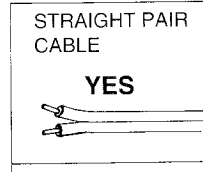
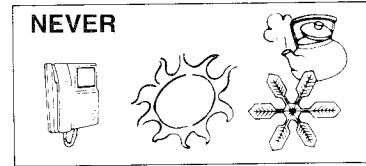
Installation

- ① DO NOT CONNECT ANY TERMINAL ON ANY UNIT TO AC POWER LINES. When you mount MY-1BD unit in place of existing bell or chime, be sure to disconnect wires from the present transformer.
- ② DO NOT OPEN THE FRONT COVER OF MY-1BD UNIT, WITHOUT FIRST REMOVING PLUG OF POWER SUPPLY FROM AC OUTLET. The high voltage is loaded on the monitor unit inside.
- ③ Do not drop or hit the unit. This may cause damage to the picture tube.
- ④ Avoid running the connecting wires through doors, windows or between furniture, which may pinch and disconnect the wires.
- ⑤ **IMPORTANT —**
Use a parallel 2-conductor cable. When using existing two wires, strictly observe that the two wires are of the same cable. Do not use any of the following wires, as they will seriously affect the quality of picture and communication.
*coaxial cable; *two separate and individual wires; *a pair in multi-conductor cable.
- ⑥ When surplus wire(s) exists in the cable between video door station and video monitor, it is possible that the picture quality would be interfered with. In that case, we suggest connecting a 120 ohm resistor at each end of surplus wire(s).



- ⑦ In case noise from power supply line is induced, take SG terminal on MY-1BD unit to earth ground.

- ⑧ Locate MY-1BD unit within convenient reach of AC outlet. DC output cord length: approx. 1.9 m (6'.3"). Do not attempt to lengthen the DC output cord. It will seriously affect the quality of the picture and communication.



Installation location

- ⑨ Do not install MY-1BD unit in a place where it is exposed to; *direct sunlight, *air conditioner heat, *frost, *vapor, *water, *chemicals, *iron dust, etc.

Installation height

- ⑩ Determine MY-1BD installation height so that the center of the video monitor would be at the convenient eye level: adults' average height minus 100 mm (4").

Maintenance

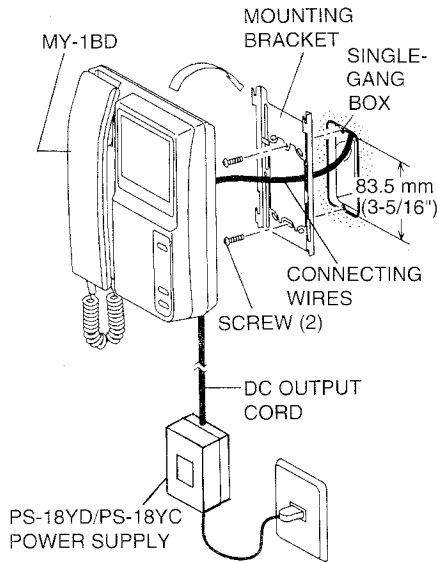
- ⑪ Clean your MY-1BD equipment with a soft cloth dampened with neutral household cleanser. Never use lacquer thinner nor benzene, etc.

4 SYSTEM COMPONENTS

MODELS	DESCRIPTION	QTY.	REMARKS
MY-CB	Video door station, w/plastic cover.	1 pce	Surface-mounts on single-gang box.
MY-1BD	Room master station w/video monitor.	1 pce	Surface-mounts on single-gang box (bracket included).
PS-18YC PS-18YD	Power supply adaptor. DC 18V.	1 pce	
	AC 120V, 50/60 Hz. AC 220-240V, 50/60 Hz.		
IER-2	Call extension speaker	1 pce	Surface-mounts on single-gang box.
EL-9S	Electric door release, AC 12V, 0.35A	1 pce	Requires separate bell transformer.

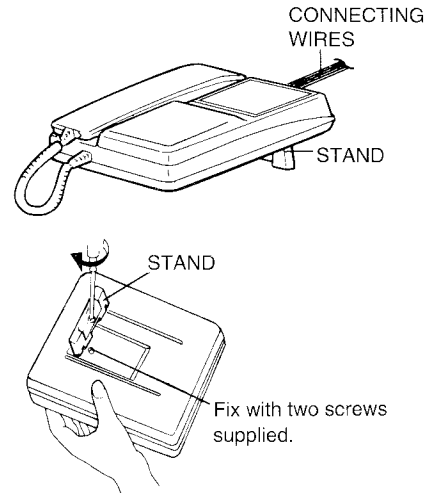
5 INSTALLATION

(1) Wall mounting;

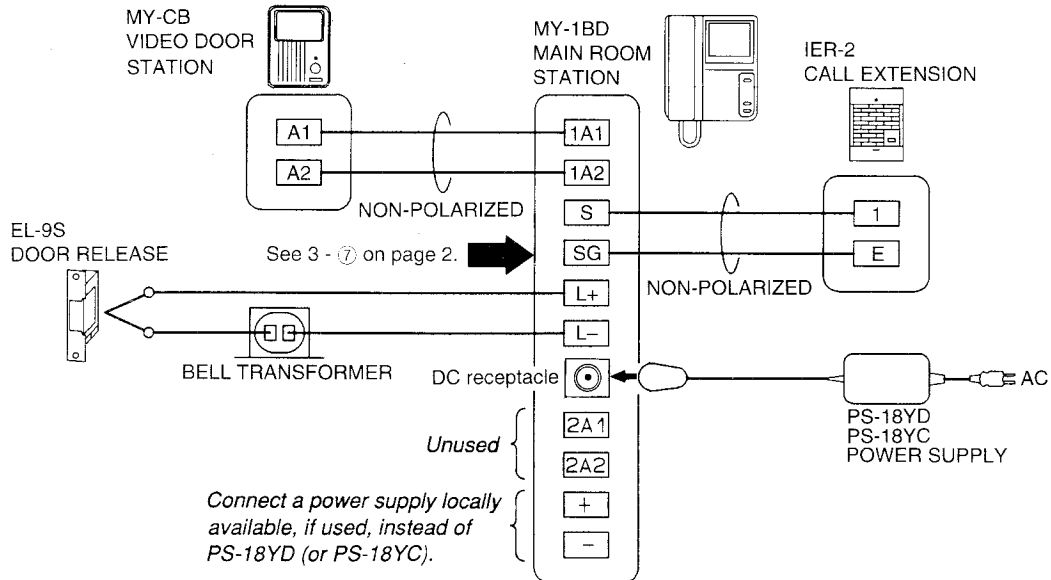


(2) Desk-top installation;

Select a location where MY-1BD does not fall or where the cable may cause tripping.

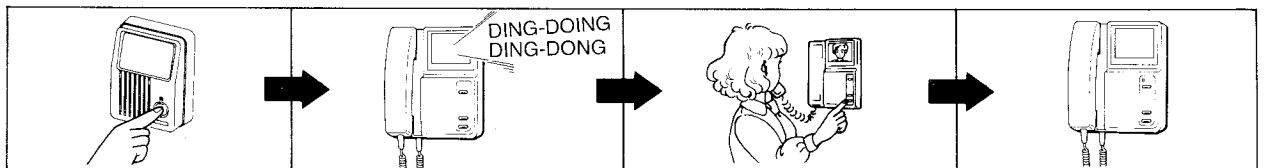


6 WIRING DIAGRAM



7 OPERATIONS

* Receiving a call;



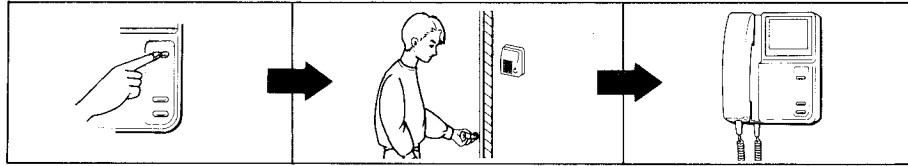
A visitor presses CALL button.

Chime tone sounds and the image appears on the monitor (If not replied, the image goes off approx. after 45 seconds.)

Pick up handset to reply. If system shuts off, press MONITOR button to restore communication.

After communication, hang up handset. The image goes off.

7 OPERATIONS (continued)

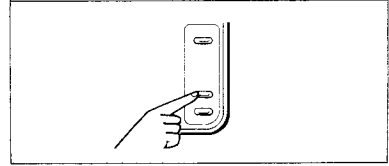


After identifying the visitor, press DOOR RELEASE button.

The visitor can open the door while the door release is being activated.

Hang up handset. The image goes off.

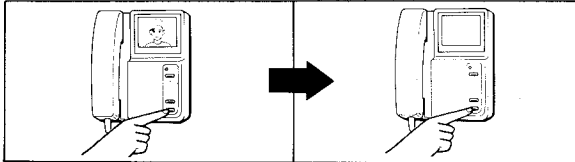
* Adjusting backlight;



When a caller's face appears dark, press BACKLIGHT button to brighten the face.

* Monitoring door station;

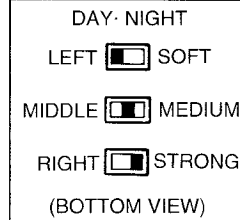
The inside voice can not be heard at door.



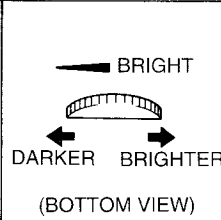
Press MONITOR button. The image of entry area appears for approx. 2 minutes and half.

To cancel, press MONITOR button again. (or just leave it, and the image will go off in approx. 2 minutes and half).

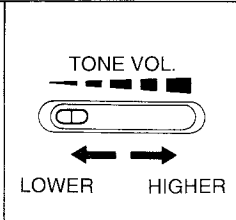
Adjusting contrast;



Adjusting brightness;



Adjusting chime volume;



8 SPECIFICATIONS

- * Power source: DC 18V. Use a power supply PS-18YD (PS-18YC in N. America).
- * Current consumption: Max. 0.9A. Standby 0.15A.
- * Calling: 4-stroke electronic chime (w/sliding volume control).
- * Communication: Simultaneous by handset.
- * Wiring: Single pair, straight conductors.

* Distance:

Diameter	0.65 mm	1.0 mm	AWG	22AWG	18AWG
Distance	50 m	100 m	Distance	165'	330'

- * Video monitor: 4" direct view CRT
- * Scanning line: 525 lines
- * Dimensions (H x W x D) & weight: 210 x 186 x 57.5 (mm); 8-1/4" x 7-1/4" x 2-1/4"
Approx. 1,100g (2.43 lbs.).

WARRANTY

Aiphone warrants its products to be free from defects of material and workmanship under normal use and service for a period of one year after delivery to the ultimate user and will repair free of charge or replace at no charge, should it become defective upon which examination shall disclose to be defective and under warranty. Aiphone reserves unto itself the sole right to make the final decision whether there is a defect in materials and/or workmanship; and whether or not the product is within the warranty.

This warranty shall not apply to any Aiphone product which has been subject to misuse, neglect, accident, or to use in violation of instructions furnished, nor extended to units which have been repaired or altered outside of the factory.

This warranty does not cover batteries or damage caused by batteries used in connection with the product.

This warranty covers bench repairs only, and any repairs must be made at the shop or place designated in writing by Aiphone.

Aiphone will not be responsible for any costs incurred involving on site service calls.

Aiphone Co., Ltd., Nagoya, Japan
Aiphone Corporation, Bellevue, WA, USA

MY-1BD-I(E) 1092A



COMMUNICATION SYSTEMS

AIPHONE

HOME, BUSINESS, INDUSTRY.

Printed in Japan (E)