

MY-2CD PanTilt Video System SUB ROOM STATION

Model;

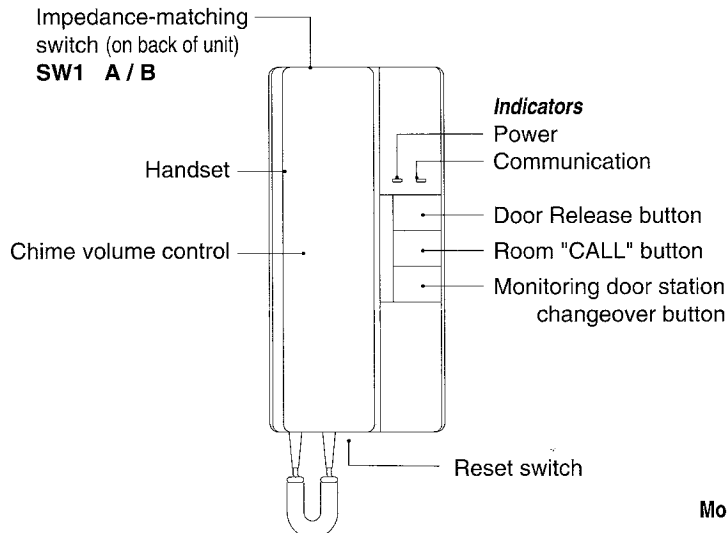
MY-1HD*(Sub Room Station
with Door Release button)*

INSTRUCTIONS

MY-1HD is the audio only Sub Room Station for use with MY-2CD PanTilt Video Entry Security System. Adding one or two MY-1HD station(s) will increase flexibility and add more variations to your MY-2CD systems.

1

NAMES AND FUNCTIONS



Mounting Accessories:

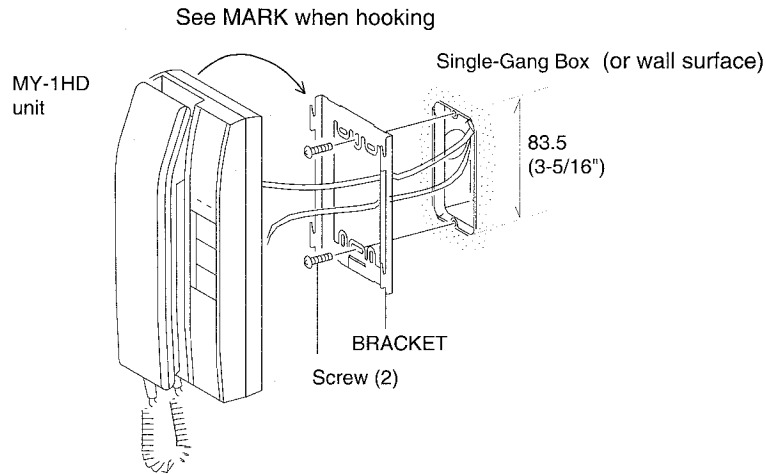
- Wall-mounting bracket
- Screw (2) for mounting to electrical box
- Wood screw (2) for mounting to wall surface

2

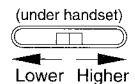
SPECIFICATIONS

Power source	Supplied from PS-18C or PS-18D (via MY-2CD)
Consumption	60mA (max). 25mA (standby)
Calling	<i>Door to Rooms;</i> by chime tone and flashing LED for 45 seconds (approx.) 4- and 2-stroke chime from entry 1 and 2 (8-stroke from audio door) <i>Between Rooms;</i> by pre-tone and voice
Wiring	4 wires between Rooms
Wiring distance	<i>2 Monitors + 1 MY-1HD</i> 28m / 1.0mm dia. 56m / 1.0mm dia. (when +, - wires doubled) 90' / 18AWG 185' / 18AWG (when +, - wires doubled) <i>1 Monitor + 2 MY-1HD</i> 75m / 1.0mm. 245' / 18AWG
Dimensions & weight	210H x 100W x 68D (mm). Approx. 465g 8-1/4"H x 4"W x 2-3/4"D. Approx. 1.03 lbs.

3 INSTALLATION

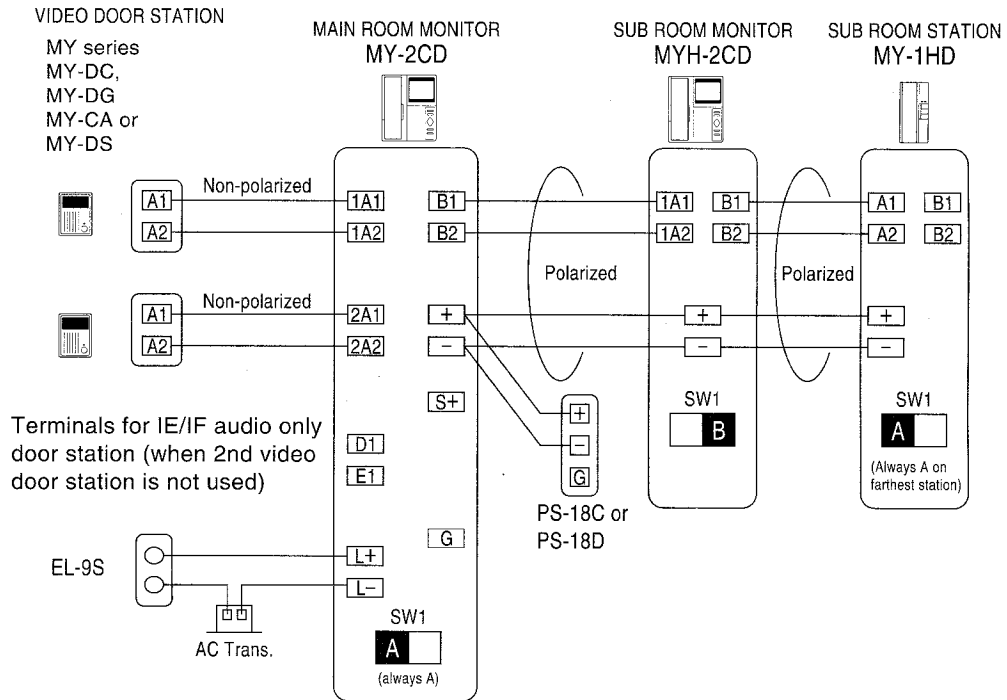


Mounting	MY-1HD can be wall mounted. As shown, attach supplied bracket to gang box or wall surface with 2 (wood) screws, and mount MY-1HD onto it.
Mounting Location	Generally, select a location in usual domestic and office room environments. Avoid such places constantly sunlit, temperature/humidity extremes (air conditioner heat, etc.) and constantry filled with vapor, (iron) dust, and other damaging materials.
Wiring	In new installation, use 4-wire cable, and not coax. cable. When surplus wires exist, terminate with a 120 ohm resistor at each end of room- to- room wires.
SW1 setting	The SW1 is provided on back of the MY-1HD unit. On MY-2CD main monitor, "A" setting must remain unchanged. On the last MY-1HD (or MYH-2CD) station, set to "A" position, and on 2nd room station only, set to "B" position.
System testing	Check all the wirings to power supply and room stations, and turn on the power supply. And before any operational test, press RESET switch (located at bottom of unit) by ball-point pen, etc. Wait for 30 seconds max. and the system is operable. When there is noise in communication, provide earthing to G terminal on MY-2CD and PS-18C(D). (Locate power supply nearest to main monitor; 5m/1.0mm dia. 16/18AWG).
Adjustments	At individual room station, adjust chime tone volume by the control under handset. Also adjusts voice calling from receiver.
Room station wiring	Do not individually run wires from MY-2CD main station to each sub room station (MYH-2CD or MY-1HD).
Servicing	Do not forget to turn off power supply, when opening the MY-2CD unit. The high voltage is present on the inside monitor. Clean your MY-1HD using a soft cloth and household cleanser.

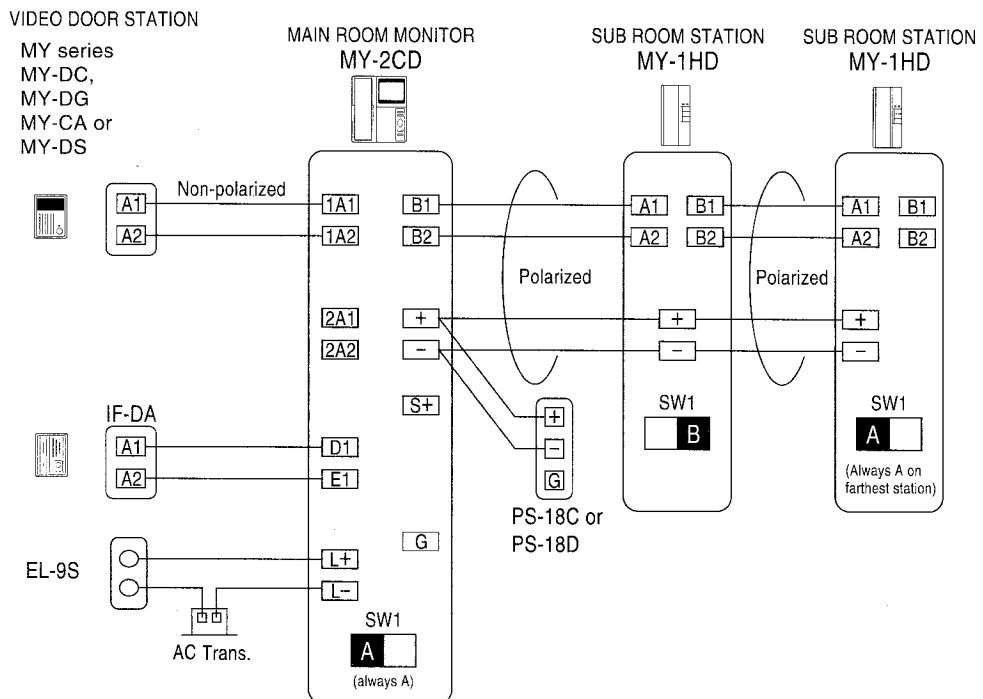


4 WIRING

MY-2CD system with 2 Monitors & 1 MY-1HD



MY-2CD system with 1 Monitors & 2 MY-1HD



For full information, refer to the instructions supplied with MY-2CD.

Door Answering Operations

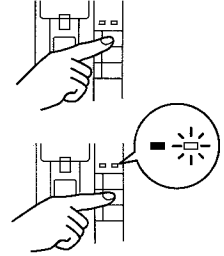
MY-2CD system accepts max. 2 video door stations (or 1 each video and audio only). Any call-in can be annunciated by chime and flashing COM LED. Simply pick up handset at any room station.

When your MY-1HD includes door release;

After identifying a caller, press and hold down Door Release button.

Room Communication

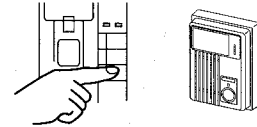
MY-2CD system is capable of all-call type Room Station calling, and talkback is not available. On your MY-1HD station, press CALL button. Given pre-tone, you can call(two) room station(s) through handset receiver.

**Replying to Room Station Call**

When you hear pre-tone and voice calling, pick up handset to reply or just receive message.

Monitoring Gate/Door Area

Pick up handset and press DOOR button once to connect to 1st door station(at gate). To connect to 2nd door station, press DOOR button twice.

**After communication**

At end of every communication, securely hang up handset.

Receiving a Door Station Call during Communication

When you hear chime tone while talking with other room station, hang up handset at both stations, and repick up at either station.

WARRANTY

Aiphone warrants its products to be free from defects of material and workmanship under normal use and service for a period of one year after delivery to the ultimate user and will repair free of charge or replace at no charge, should it become defective upon which examination shall disclose to be defective and under warranty. Aiphone reserves unto itself the sole right to make the final decision whether there is a defect in materials and/or workmanship; and whether or not the product is within the warranty.

This warranty shall not apply to any Aiphone product which has been subject to misuse, neglect, accident, or to use in violation of instructions furnished, nor extended to units which have been repaired or altered outside of the factory.

This warranty does not cover batteries or damage caused by batteries used in connection with the product.

This warranty covers bench repair only, and any repairs must be made at the shop or place designated in writing by Aiphone.

Aiphone will not be responsible for any costs incurred involving on site service calls.

Aiphone Co., Ltd., Nagoya, Japan
Aiphone Corporation, Bellevue, WA, USA

MY-1HD-(E) 0494E



COMMUNICATION SYSTEMS
AIPHONE
HOME, BUSINESS, INDUSTRY.

Printed in Japan (E)