

MY Series PanTilt DOOR STATION

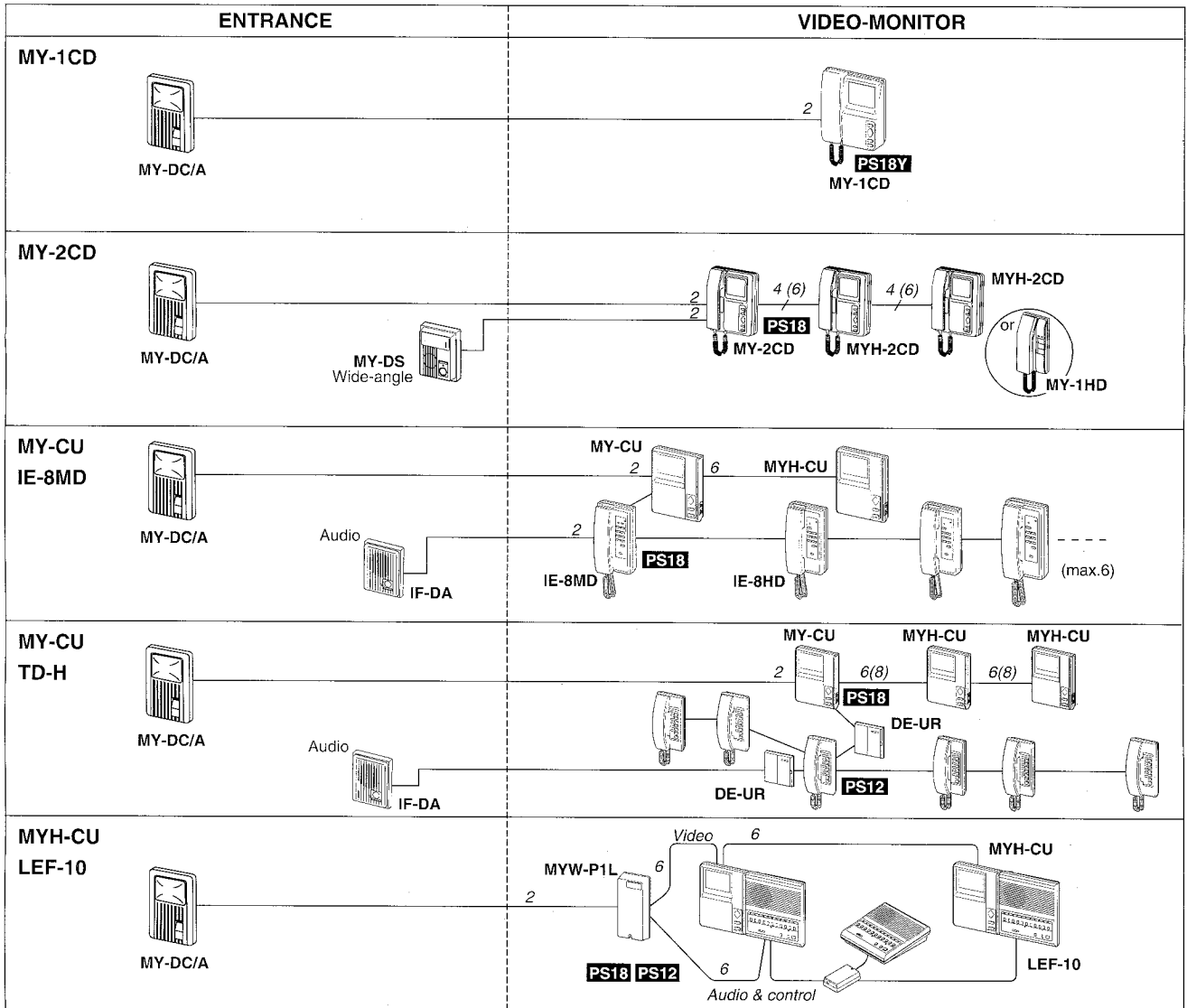
Models: **MY-DC/A**
MY-DG/A

INSTALLATION & OPERATION MANUAL

SYSTEM OUTLINE & COMPONENTS

MY-DC/A and MY-DG/A are semi-flush PanTilt doorstations for use with MY Series Video Entry Security system.

Single PanTilt entry

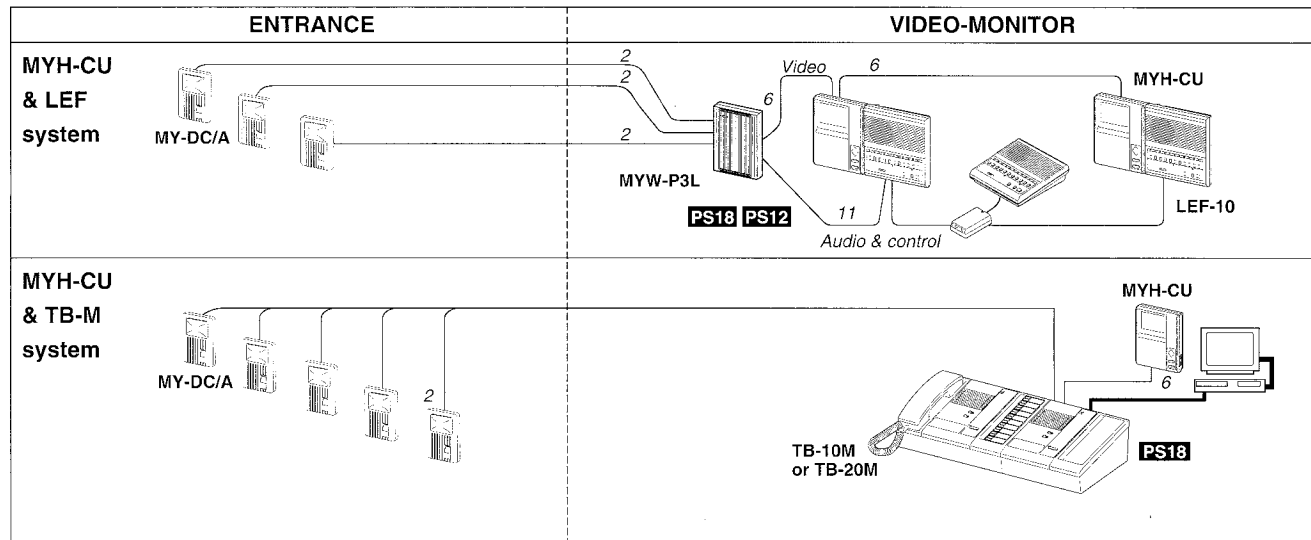


PS18Y : PS-18YC/A or PS-18YD/A

PS12 : PS-12C or PS-12A

PS18 : PS-18C or PS-18D

Multiple PanTilt entries



FEATURES

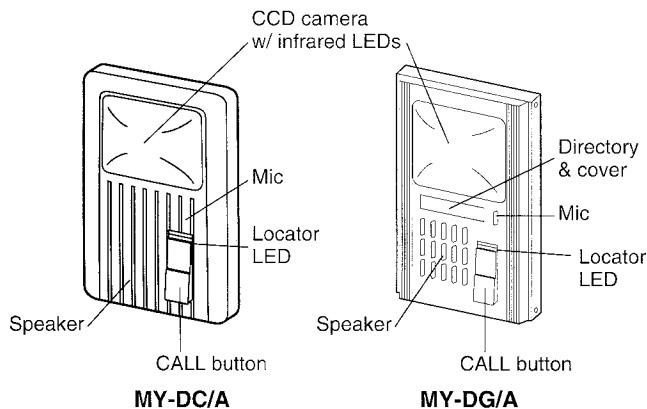
- Audio, video, and PanTilt control on 2 wires
- Pan and tilting of door camera
- 100m, 330' from camera to monitor on 1.0mm dia., 18AWG wire
- Extended distance to 300 m, 980' with MYW-BA adaptor (using 1.2mm dia., 16AWG PE jacketed wire)
- Can replace an existing doorbell using the same wire (remove existing transformer)

PACKAGE CONTENTS

- PanTilt video door station (MY-DC/A or MY-DG/A)
- Panel lock remover
- Packet of screws
- Installation & Operation Manual

★ Refer to the Installation & Operation manual packed with main monitor or adaptor.

2 NAMES AND FUNCTIONS

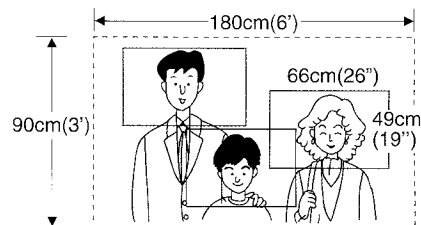


The MY-DC/A and MY-DG/A, when measured at 50 cm, 20" in front of the camera, views an area of 49 cm, 19" vertically by 66 cm, 26" horizontally. On any and every inside monitor, operate Pan/tilt control pad to maximize viewing area, and Backlight button to view dimly lit or strongly backlit areas.

MY-DC/A, MY-DG/A

image viewing area (approximate)

- ▭ : when camera is panned and tilted fully
- ▭ : when camera is in still position.



Camera tilts down.

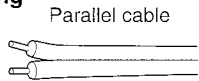


Camera pans to right.

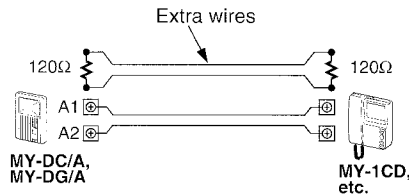


3 PRECAUTIONS ON INSTALLATION & WIRING

Wiring



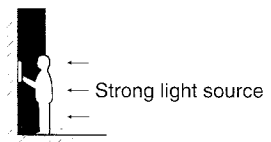
Use 2-conductor (parallel) cable. Coaxial cable or 2 separate wires should not be used.



★ When existing chime wires are used, it is possible that the wires may contain AC voltage current. Locate and remove the bell transformer before actually connecting MY-DC/A or MY-DG/A.

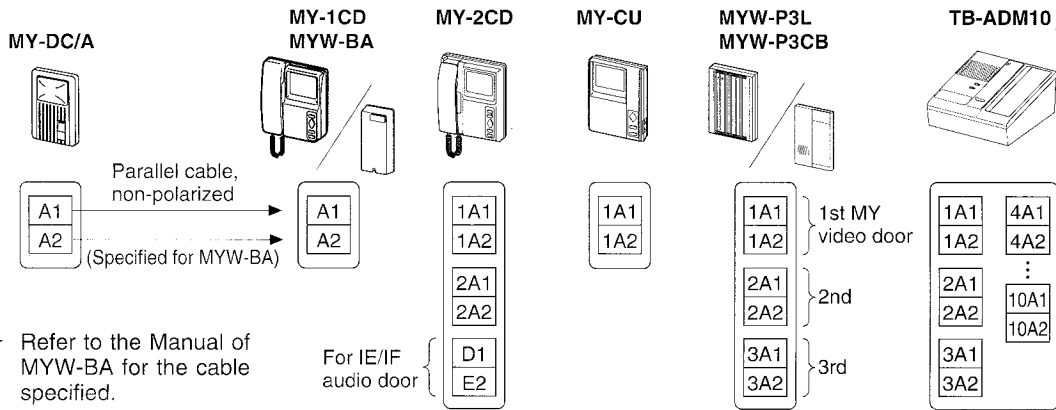
★ Extra pair(s) in the installed cable can affect image quality, and must be terminated with a 120 ohm resistor at each end of wires at both MY-DC/A or MY-DG/A and inside monitor(s).

Installation



MY-DC/A and MY-DG/A employ a CCD camera, and its performance can be affected by bright direct light, such as strong sunlight, gate light or street or porch light which is directed into the camera lens. Use backlight button to compensate for silhouetted images.

4 WIRING

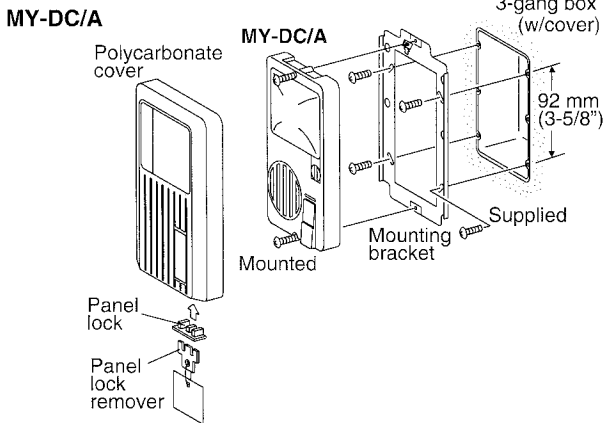


★ Refer to the Manual of MYW-BA for the cable specified.

5 MOUNTING

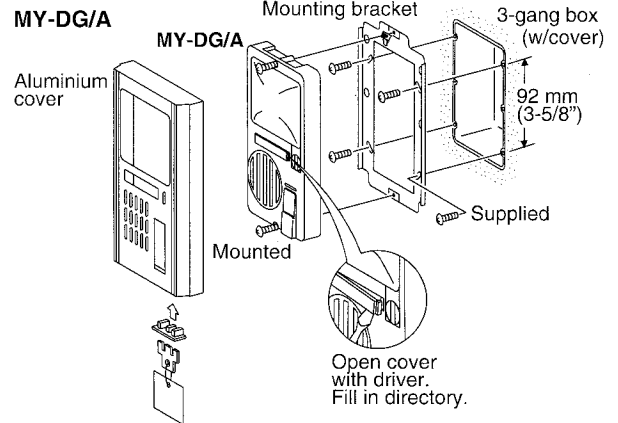
Semi-flush mounting

1. Unlock front cover at bottom, using the tool supplied.
2. Attach the mounting bracket to 3-gang box.



3. Mount MY-DC/A or MY-DG/A unit on the bracket, fastening 2 screws.

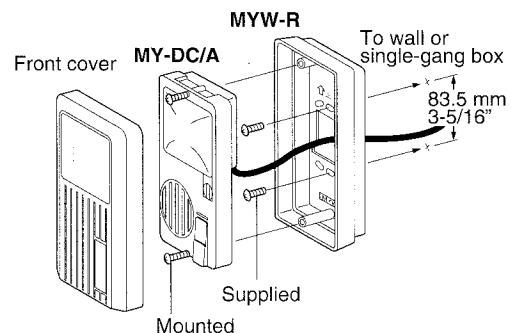
4. Replace front cover and click the tip to lock.



Surface-mounting (MY-DC/A only)

1. Mount the MYW-R box on wall or single-gang box.
2. Attach MY-DC/A with 2 mounted screws. Mounting bracket is not used.

MYW-R: 188 H × 118 W × 36 D (mm).
Weight 100g (0.22 lbs.) approx.
7-3/8"H × 4-5/8"W × 1-3/8"D.



6 OPERATIONS

The red LED is lit to locate call button, day or night. A single push of Call button activates inside video monitor, as well as a 4 or 2-tone chime (or other). When inside station replies, talk handsfree.

Poor lighting conditions:

The MY-DC/A and MY-DG/A's infrared illumination will light the image of the caller when positioned within 50cm, 20" in front of the camera, and will see in near darkness (1 Lux of light).

7 TECHNICAL PRECAUTIONS

MY-DC/A and MY-DG/A do not have a camera angle presetting feature.

Installation location:

The MY-DC/A and MY-DG/A are weather resistant, but for best results it should be protected from direct weather conditions. An eave or overhead cover is recommended to protect it from direct rainfall.

Temperature:

The MY-DC/A or MY-DG/A is rated to operate at temperatures between -10° and 60°C (14° and 140°F). When the outside temperature lowers rapidly, the camera lens may fog up slightly, causing a blurry picture at the inside monitor. The ventilation openings will allow the moisture to evaporate, and the picture will return to normal.

Cleaning:

Clean the unit with a soft cloth and neutral household cleanser. Do not use an abrasive cleaner or cloth.

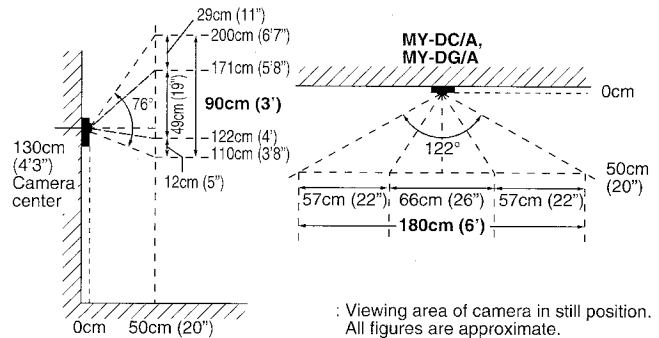
8 SPECIFICATIONS

Power source Camera is powered from monitor unit
Camera unit CCD camera
Scanning lines 525 lines
Image viewing area at 50 cm, 20" in front of camera
 Vertical 90cm, 3'. Horizontal 180cm, 6' when panned and tilted fully
Minimum illumination 1 Lux at 50cm, 20" from camera
Dimensions & weight

	H	W	D	Weight approx.
MY-DC/A	190 7-1/2"	120 4-3/4"	36 (mm) 1-1/2"	500g 1.10 lbs.
MY-DG/A	200 8"	120 4-3/4"	37 (mm) 1-1/2"	560g 1.23 lbs.

*Both 33mm, 1-1/4" recessed

■ Pan/tilt viewing area shown by dotted line



This equipment has been tested and found to comply with the limits for a Class B digital device, pursuant to Part 15 of the FCC Rules. These limits are designed to provide reasonable protection against harmful interference in a residential installation. This equipment generates, uses, and can radiate radio frequency energy and, if not installed and used in accordance with the instructions, may cause harmful interference to radio communications. However, there is no guarantee that interference will not occur in a particular installation. If this equipment does cause harmful interference to radio or television reception, which can be determined by turning the equipment off and on, the user is encouraged to try to correct the interference by one or more of the following measures:

- Reorient or relocate the receiving antenna.
- Connect the equipment into an outlet on a circuit different from that to which the receiver is connected.
- Increase the separation between the equipment and receiver.
- Consult the dealer or an experienced radio/TV technician for help.

WARRANTY

Aiphone warrants its products to be free from defects of material and workmanship under normal use and service for a period of two years after delivery to the ultimate user and will repair free of charge or replace at no charge, should it become defective upon which examination shall disclose to be defective and under warranty. Aiphone reserves unto itself the sole right to make the final decision whether there is a defect in materials and/or workmanship; and whether or not the product is within the warranty. This warranty shall not apply to any Aiphone product which has been subject to misuse, neglect, accident, or to use in violation of instructions furnished, nor extended to units which have been repaired or altered outside of the factory. This warranty does not cover batteries or damage caused by batteries used in connection with the product. This warranty covers bench repairs only, and any repairs must be made at the shop or place designated in writing by Aiphone. Aiphone will not be responsible for any costs incurred involving on site service calls.