

## PanTilt entry security system LONG-DISTANCE ADAPTOR

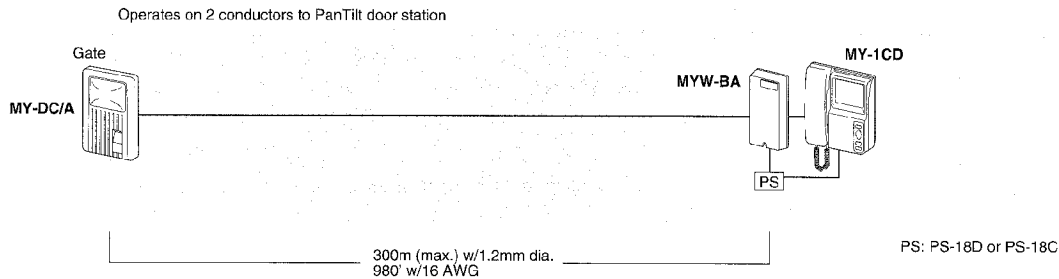
Model; **MYW-BA**

### INSTALLATION & OPERATION MANUAL

## 1 SYSTEM OUTLINE & FEATURES

PanTilt video system has limited its applications within a distance of 100m(330'). MYW-BA is capable of expanding wiring distance of PanTilt door station more than 100m and up to 300m (330' to 980') in MY-1CD or MY-2CD monitor station systems. Versatile TD-H/B or LEF systems, combined with MY-CU monitor, may have PanTilt door communication systems, using each door/ video adaptor.

### SYSTEM LAYOUT EXAMPLE



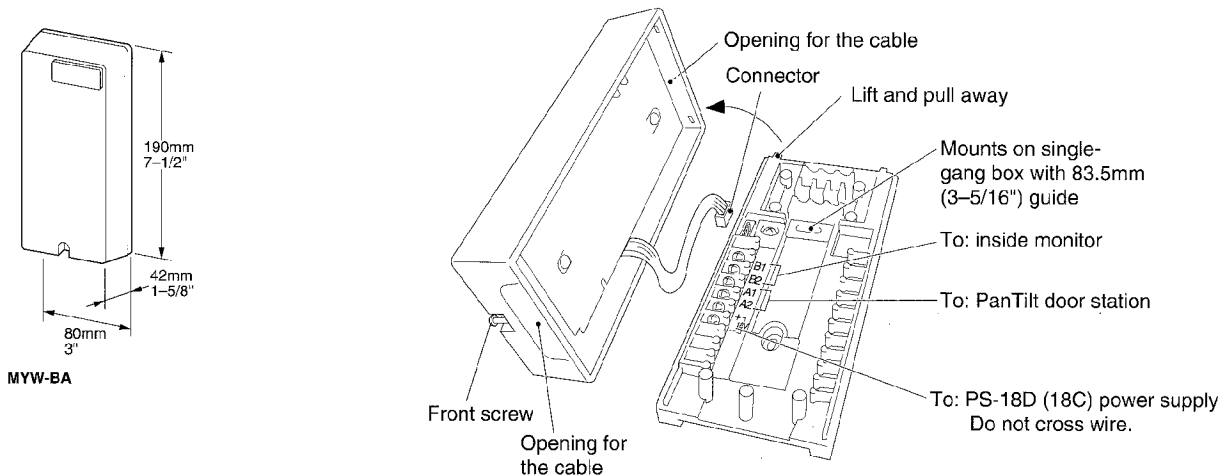
### FEATURES

- ☆ Works with the following PanTilt entry security systems;
  - MY-1CD, Video Sentry PanTilt
  - MY-2CD, Video Sentry PanTilt Plus
  - MY-CU with TD-H/B selective call system
  - MYH-CU with LEF-10 open voice selective call system
- ☆ One to max. 3 video entries. One MYW-BA is required per entry.
- ☆ Powered by a single power supply PS-18D(18C) of using MY video system.  
A separate power supply locates MYW-BA max. 50m (165') away from the monitor station.

#### Check the package contents before installation.

|                                   |        |
|-----------------------------------|--------|
| ● Long-distance adaptor (MYW-BA)  | 1 unit |
| ● Screws pack                     | 1 set  |
| ● Installation & Operation Manual |        |

## 2 NAMES AND FUNCTIONS



### 3 INSTRUCTIONS ON INSTALLATION & WIRING

MYW-BA is a video wiring adaptor for indoor use only.

Its mounting location must be in the same category as described in the Manuals of using video monitor.

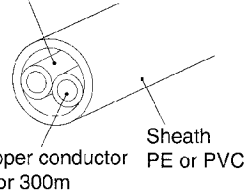
On a specified pair wires, audio & video communication is stable and unaffected, and pan-and-tilting operation of door camera is flexibly smooth at max. 300m (980') distant entry. The MYW-BA performance depends on the cable and distance to PanTilt door station and also to inside monitor (s).

The below specifications must be met for using wires on MYW-BA adaptor ;

- \* **Impedance : 90 ohm**
- \* **Permitted closed loop DC resistance : 9.9 ohm or less**
- \* **Insulation must not be PVC, but PE**

**In USA, cable type West Penn D990 or equivalent**

Insulation with PE(Polyethylene)  
Never with PVC(Polyvinyl chloride)



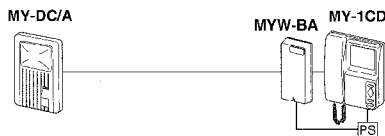
- ★ Installation of non-specified cable and / or within 100m (330') or over 300m (980') distance, may cause inferior imaging or incomplete call.
- ★ While making wire terminations, front case may be set aside, plugging off connector. Refrain from doing so, when the system power supply is turned on.
- ★ Wiring on MYW-BA must be strictly in accordance with diagrams on page 3; 4 & 5. Incorrect connection of PS-18D (18C) power supply causes damage to the unit.

#### System possibilities

According to system size & station capacity required, select a best suited from the followings;

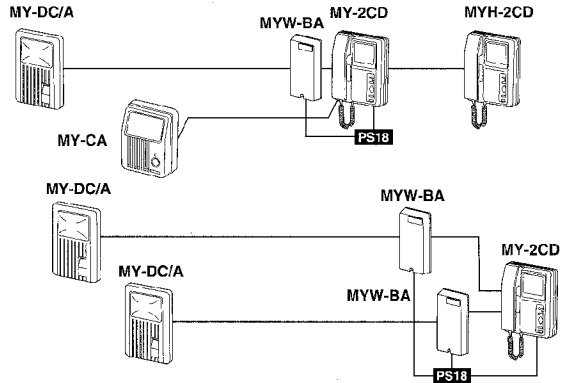
#### MY-1CD

Basic one-entry PanTilt system can be an important entry check system.



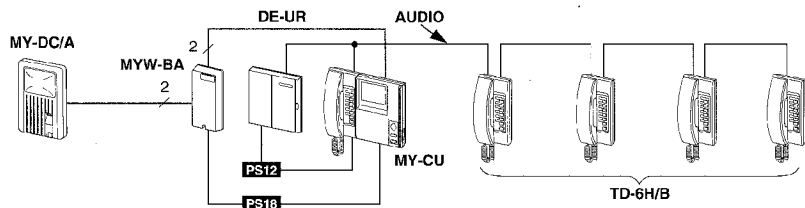
#### MY-2CD

MY-2CD monitor station control entry at 2 PanTilt door stations.



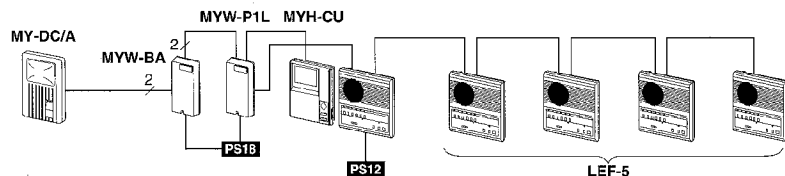
#### MY-CU with TD-(6,12,24)H/B

One PanTilt door, one monitor (or two), and multiple TD-H phone stations



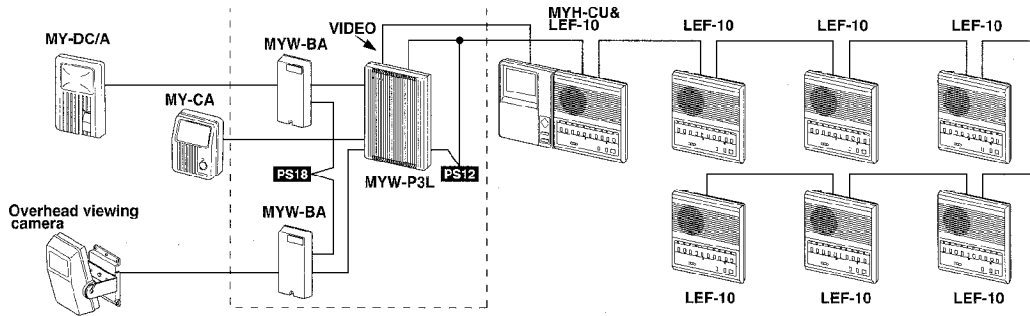
#### MYH-CU with LEF-5,10,10S

One PanTilt door, one monitor (or two), and multiple LEF open voice stations



## PanTilt MYH-CU 3-camera system with LEF-10

MYW-P3L adaptor provides LEF-10 with PanTilt door communication capabilities, including visual checking of 3 entries, and selected entry listening with its image.



The above example illustrates 2 PanTilt door stations and an overhead viewing camera MY-CA (in MYW-CA) are connected to 7-call LEF-10 system.

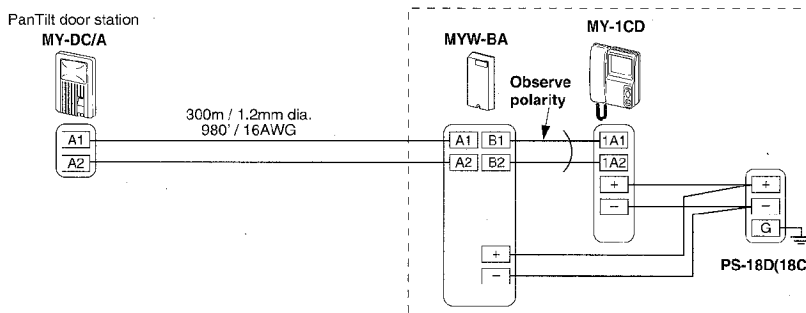
## 4 MOUNTING

Loosen a front bottom screw and open the front case, sliding front case upward from the chassis.  
 Unplug the connector from the chassis, and set aside the front main unit.  
 The chassis mounts to wall with 83.5mm, 3-5/16" pitched.  
 Make wire terminations on 4 screw terminals, then DC18V wires from power supply.  
 Reconnect and attach the front case to chassis, and tighten the bottom screw.

## 5 WIRING

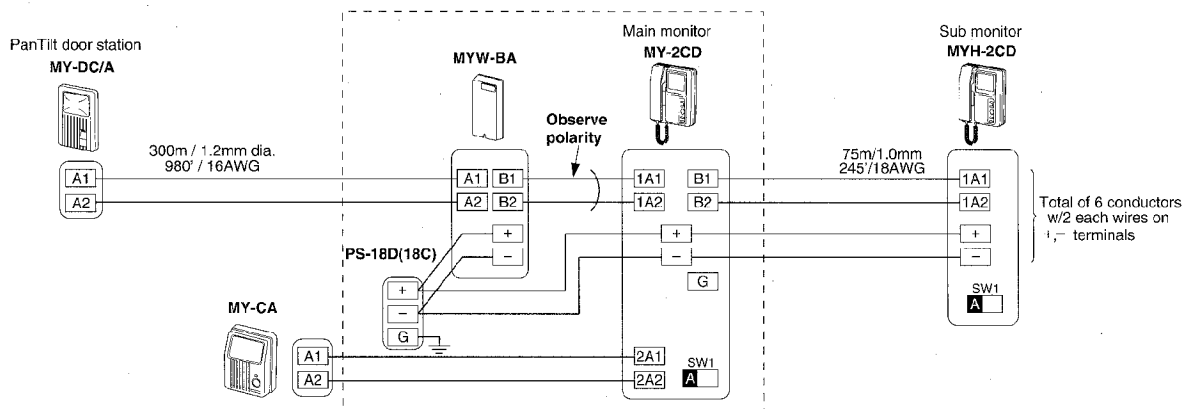
### MY-1CD long-distance application

MY-1CD is basic 1 door -1 monitor PanTilt system. With an MYW-BA added, MY-1CD now communicates with PanTilt door station at gate, which is 300m(980') away.



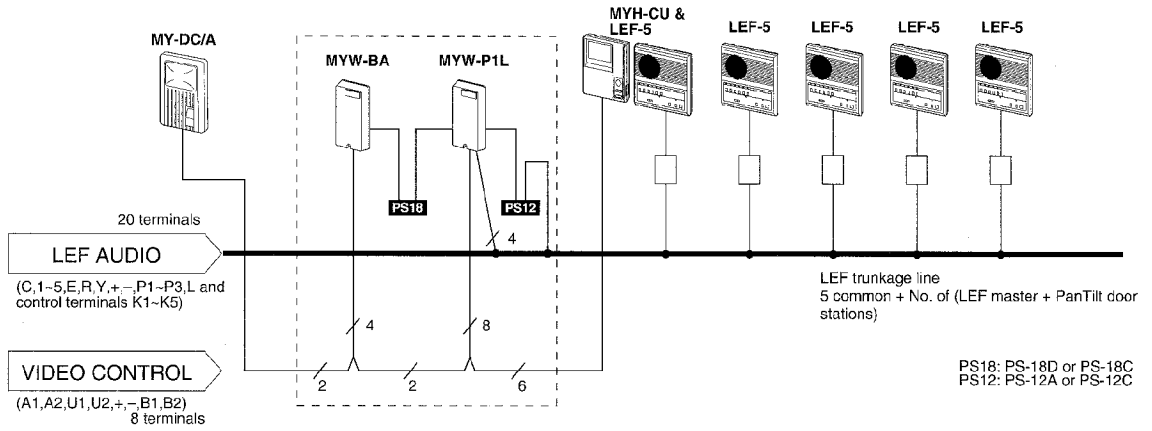
### MY-2CD 2 PanTilt door long-distance application

MY-2CD matches for the system with 2 PanTilt doors. One MYH-2CD sub monitor(max. 2) may be added, featuring same operations as on main monitor, and audio/video monitoring independently operable.

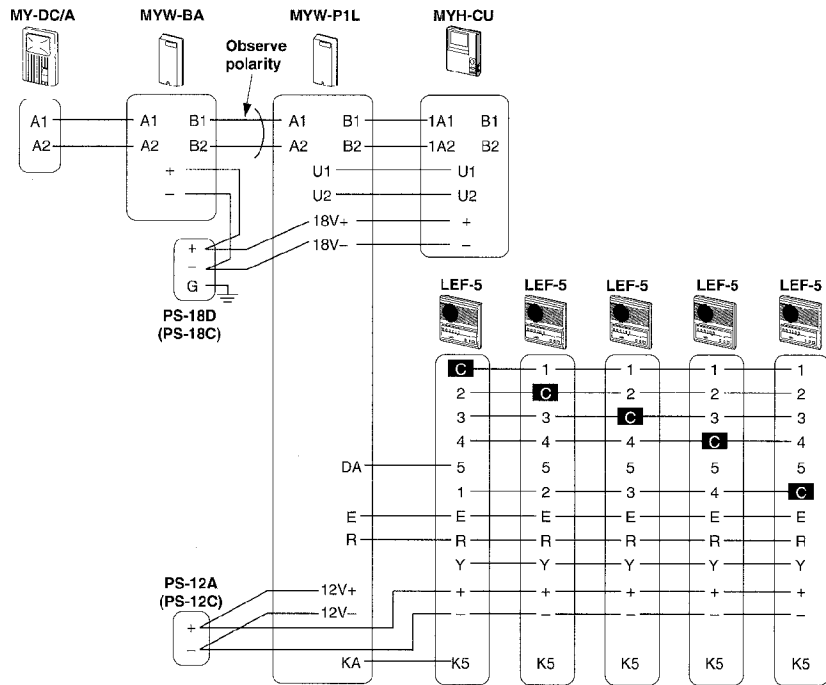




# LEF-5 one PanTilt entry long distance application



MYW-P1L connects one PanTilt door to LEF-(5,10,10S) with MYH-CU video-monitor(s).



\* Terminals L and K1 -K4 (control) are not shown.  
 \* LEF-W terminal box is not provided with K1 -K5 control terminals.

## Wiring

Single pair cable to PanTilt door station. It is also suggested to specify the same type for wiring to monitor(s), which is separated from LEF audio wiring.

**Wiring distance** MYW-BA to PanTilt door station

|          |       |       |
|----------|-------|-------|
| Diameter | 1.0mm | 1.2mm |
| Distance | 200m  | 300m  |

|          |       |       |
|----------|-------|-------|
| AWG      | 18AWG | 16AWG |
| Distance | 650'  | 980'  |

MYW-BA to MYW-P1L monitor(s)

|          |              |
|----------|--------------|
| Diameter | 1.0 or 1.2mm |
| Distance | 50m          |

|          |             |
|----------|-------------|
| AWG      | 18 or 16AWG |
| Distance | 165'        |

One power supply PS-18D(18C) suffices for one MYW-BA connected MYW-P1L system with one MYH-CU monitor. Max. distance from MYW-P1L to a video monitor(farthest) is 75m w/1.0mm dia. (245' w/18AWG). Refer to the MYW-P1L Manual for non-MYW-BA used system examples.

# 6 SPECIFICATIONS

**Power source** MYW-BA; DC 18V. Can be powered by a PS-18D (PS-18C in North America) or using PanTilt monitor system. Replaces PS-18YD/A (PS-18YC/A) in MY-1CD system.

**Current consumption** 250mA. 1mA(standby)

**Cable requirements** Use specified cable to each PanTilt door station and Monitor station /video adaptor.

- \* Impedance : 90 ohm
- \* Permitted closed loop DC resistance : 9.9 ohm or less
- \* Insulation must not be PVC

**In USA, cable type West Penn D990 or equivalent.**

**Wiring** Total 6 conductors run from MYW-BA to video trunkage line.  
2 conductors to PanTilt door station and 2 to using main monitor MY-1CD, MY-2CD or MY-CU in TD-(6, 12, 24) H system. In LEF-(5, 10, 10S), the same 2 conductors to MYW-P (1, 3) L video adaptor. The rest 2 conductors go to the system's power supply PS-18D (18C) or its own.

**Wiring Distance** MYW-BA to PanTilt door (with specified cable)

|          |       |       |          |       |       |
|----------|-------|-------|----------|-------|-------|
| Diameter | 1.0mm | 1.2mm | AWG      | 18AWG | 16AWG |
| Distance | 200m  | 300m  | Distance | 650'  | 980'  |

MYW-BA to video-monitor (main) or MYW-P(1,3)L

|          |              |          |             |
|----------|--------------|----------|-------------|
| Diameter | 1.0 or 1.2mm | AWG      | 18 or 16AWG |
| Distance | 50m          | Distance | 165'        |

MYW-BA to power supply

|          |       |       |          |       |       |
|----------|-------|-------|----------|-------|-------|
| Diameter | 1.0mm | 1.2mm | AWG      | 18AWG | 16AWG |
| Distance | 7m    | 10m   | Distance | 23'   | 33'   |

**Dimensions (H x W x D)** 190 mm x 80 mm x 42 mm. 7-1/2" x 3" x 1-5/8"  
**Weight** Approx. 210 g ( 0.46 lbs. )

This equipment has been tested and found to comply with the limits for a Class B digital device, pursuant to Part 15 of the FCC Rules. These limits are designed to provide reasonable protection against harmful interference in a residential installation. This equipment generates, uses, and can radiate radio frequency energy and, if not installed and used in accordance with the instructions, may cause harmful interference to radio communications. However, there is no guarantee that interference will not occur in a particular installation. If this equipment does cause harmful interference to radio or television reception, which can be determined by turning the equipment off and on, the user is encouraged to try to correct the interference by one or more of the following measures:

- Reorient or relocate the receiving antenna.
- Connect the equipment into an outlet on a circuit different from that to which the receiver is connected.
- Increase the separation between the equipment and receiver.
- Consult the dealer or an experienced radio/TV technician for help.

## WARRANTY

Aiphone warrants its products to be free from defects of material and workmanship under normal use and service for a period of two years after delivery to the ultimate user and will repair free of charge or replace at no charge, should it become defective upon which examination shall disclose to be defective and under warranty. Aiphone reserves unto itself the sole right to make the final decision whether there is a defect in materials and/or workmanship; and whether or not the product is within the warranty.

This warranty shall not apply to any Aiphone product which has been subject to misuse, neglect, accident, or to use in violation of instructions furnished, nor extended to units which have been repaired or altered outside of the factory. This warranty does not cover batteries or damage caused by batteries used in connection with the product.

This warranty covers bench repairs only, and any repairs must be made at the shop or place designated in writing by Aiphone.

Aiphone will not be responsible for any costs incurred involving on site service calls.

Aiphone Co., Ltd., Nagoya, Japan  
Aiphone Corporation, Bellevue, WA, USA

MYW-BA-I(E)0496G

