

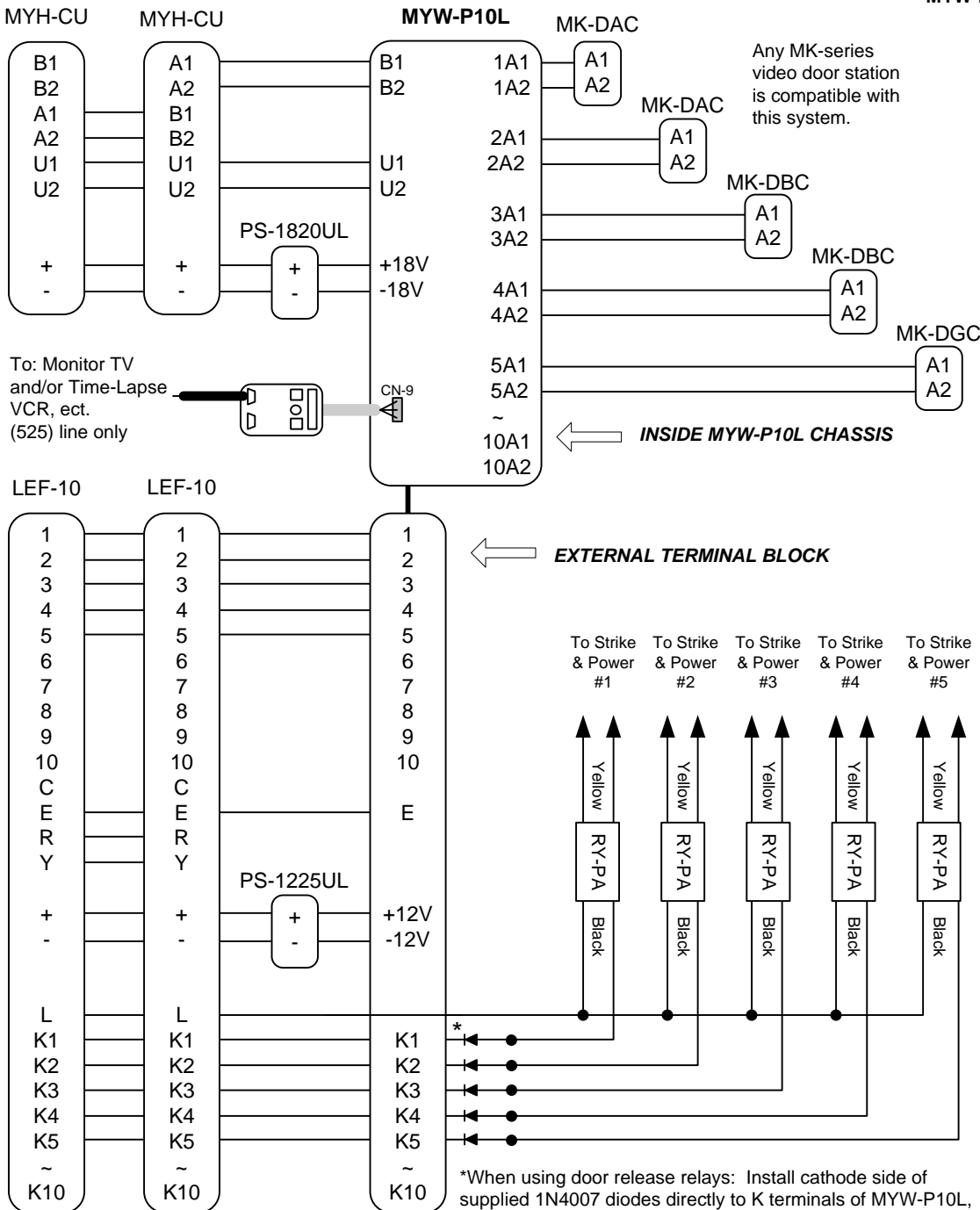
# MYW-P10L

## 10 Camera Adaptor for LEF/LDF System

### - INSTRUCTIONS -

The MYW-P10L adaptor allows up to 10 2-wire video door stations to be used with the LEF series Master Sentry System. MY or MK PanTilt series video door stations may be used with the MYW-P10L. CCTV cameras may be connected through the MYW-P10L using the MYW-MD/B adaptor. Door release is available through the intercom system (LEF or LDF only).

### WIRING DIAGRAM:



### MYW-P10L TERMINAL DEFINITIONS:

- Found inside MYW-P10L**
- nA1 Input from MY/MK Series video door station
  - nA2 Video signal output to monitors
  - B1 Video signal output to monitors
  - B2 Video signal output to monitors
  - U1 Video activation to monitors
  - U2 Video activation to monitors
  - 18V+ Positive 18V DC
  - 18V- Negative
  - N1,N2 Unused
- Found in external terminal box**
- 1 ~ 10 Audio communication
  - E Common communication
  - 12V+ Positive 12V DC
  - 12V- Negative
  - K1 ~ K10 Video control terminals

**NOTES:**

- The MONITOR button, Auto-Scan Duration, and Monitor Receive Volume switches on the front of the unit are non-functional.

- Diodes shown **must** be used when using RY-PA door release relays. They are 1N4007, and are included in the box with the unit.

- When initializing the MYW-P10L with CCTV cameras, **a constant call tone will be heard on the LEF master for approx. 1 minute during this process.** To avoid this, unplug the PS-1225UL for the LEF system before turning on the MYW-P10L, then plug back in when the initialization is complete. **The constant tone will also be heard if the MYW-P10L loses power, or if it is turned off.**

- Only wiring concerning the MYW-P10L is shown here. For complete installation and wiring information, please see the standard LEF instructions.

\*When using door release relays: Install cathode side of supplied 1N4007 diodes directly to K terminals of MYW-P10L, and connect black wire of RY-PA to anode side of diode. Do not install diodes on K terminals at the LEF master station.

## OPERATION:

### Call-in from a video door station:

1. When a video door station calls in, all monitors in the system will activate, and the appropriate LED will illuminate on the LEF master. The call tone will be heard until the call is answered or for 5 seconds, whichever comes first. The monitor will turn off in 45 seconds if the call is not answered. The LED will remain lit for approximately 20 seconds after the tone is no longer heard.
2. While the monitor is active, the PanTilt button may be used to control the camera position (PanTilt cameras only.)
3. If the door is not selected within 45 seconds, the monitor will turn off. Communication and video can be established by pressing the appropriate selector button on the LEF master.
4. When called by a door station while communicating, only the LED will activate. Press the OFF button to end the existing conversation, then select the door button to establish communication and video.

### Monitoring a door station:

1. On the LEF master, press the selector button of the door that you wish to monitor.
2. Video monitor will turn on showing the selected door, remaining active for approximately 2-1/2 minutes.
3. Communicate with the door using the LEF master station.
4. Press the OFF button on the LEF master to end the conversation.

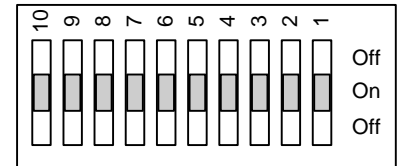
### Initializing the system:

If the MYW-P10L is used with CCTV cameras and MYW-MD/B's, the unit must be initialized before operation. To initialize the system:

(A) To avoid constant call tone on the LEF during this process, unplug PS-1225UL power supply.

1. Turn power switch on the MYW-P10L OFF.
2. Turn switches associated with CCTV camera locations to ON position.  
(For example if stations 4, 5, 6 are CCTV cameras, set switches 4, 5, and 6 to ON.)
3. Turn MYW-P10L power switch ON.
4. Wait for red STANDBY light to go out.  
(STANDBY light is located on the face of the unit.)
5. Turn switches associated with the camera locations back to the OFF position.
6. The system is now operational.

Set switches located inside bottom of unit.



### Pre-Tone On/Off

When a door station is selected, a short pre-tone will be heard. This pre-tone can be turned off:

1. Remove top left cover of MYW-P10L.
2. Move the second switch from the left to the OFF position.

### Reset switch

If the MYW-P10L malfunctions, press the reset switch located under the top left coverplate of the MYW-P10L.

## SPECIFICATIONS:

Power Source:	18V DC. Use PS-1820UL for every 3 video components.
Calling:	Electronic call tone and LED on LEF master. Call tone remains active for 5 seconds. LED remains activated for 25 seconds, or until the call is answered, whichever comes first. Monitors stay activated for 45 seconds.
Monitoring:	Select door station to monitor using LEF master. Monitors are active for 2-1/2 minutes.
Wiring Distance:	MYW-P10L to MK series Video door station: 330' using 18 AWG MYW-P10L to farthest MY series monitor: 245' using 18 AWG MYW-P10L to farthest LEF-10: 650' using 22AWG; 1600' using 18AWG
Dimensions (HxWxD):	4-1/2" X 7-11/16" X 9"
Weight:	3.31 lbs. (Approx.)

Aiphone Communication Systems  
1700 130th Ave. N.E.  
Bellevue, WA 98005  
(425) 455-0510  
FAX (425) 455-0071

**Toll Free Technical Support:**  
1-800-692-0200  
FAX: 1-800-832-3765  
E-mail: tech-serv@aiphone.com

Pg. 2  
MYW-P10L/A Instr.  
1205JDJS