

SYSTEM/MODEL: LEF

MODIFICATION: Eliminate incoming call tone from sub station at master

DIFFICULTY LEVEL: 3 - Moderate - Removal or replacement of internal components.

COMPONENTS REQUIRED: N/A

INSTR/OPERATIONS: LEF-3/3C: Remove transistor TR7.

LEF-5/5C: Remove transistor TR7.

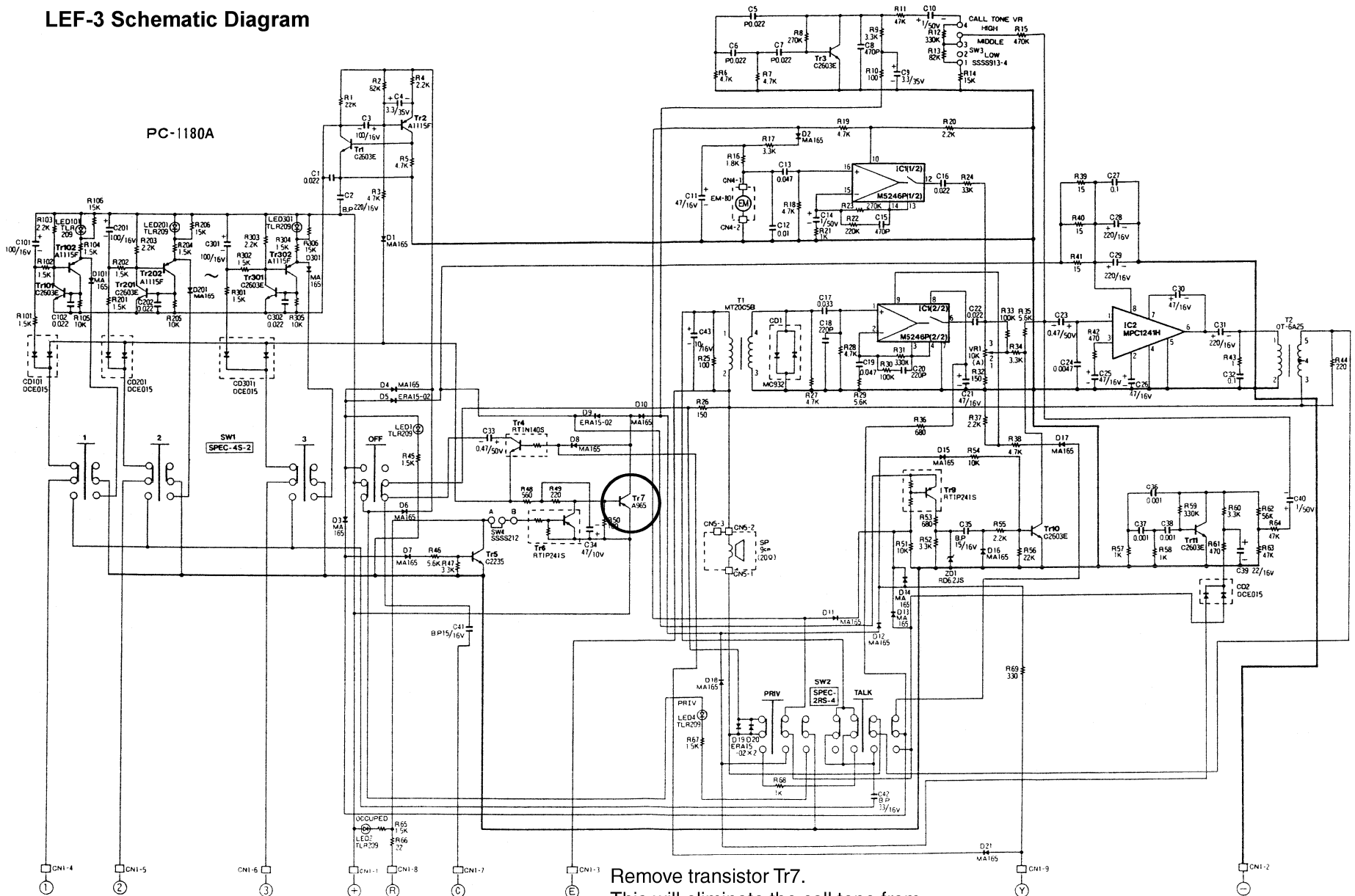
LEF-10/10C/10S: Remove transistor TR8.

REFERENCE DRAWING #:

Aiphone's product warranty applies to products properly modified using these instructions.
However, if a unit is damaged as a result of improper modification, the warranty does not apply.

ELIMINATE INCOMING CALL TONE (LEF-3)

LEF-3 Schematic Diagram

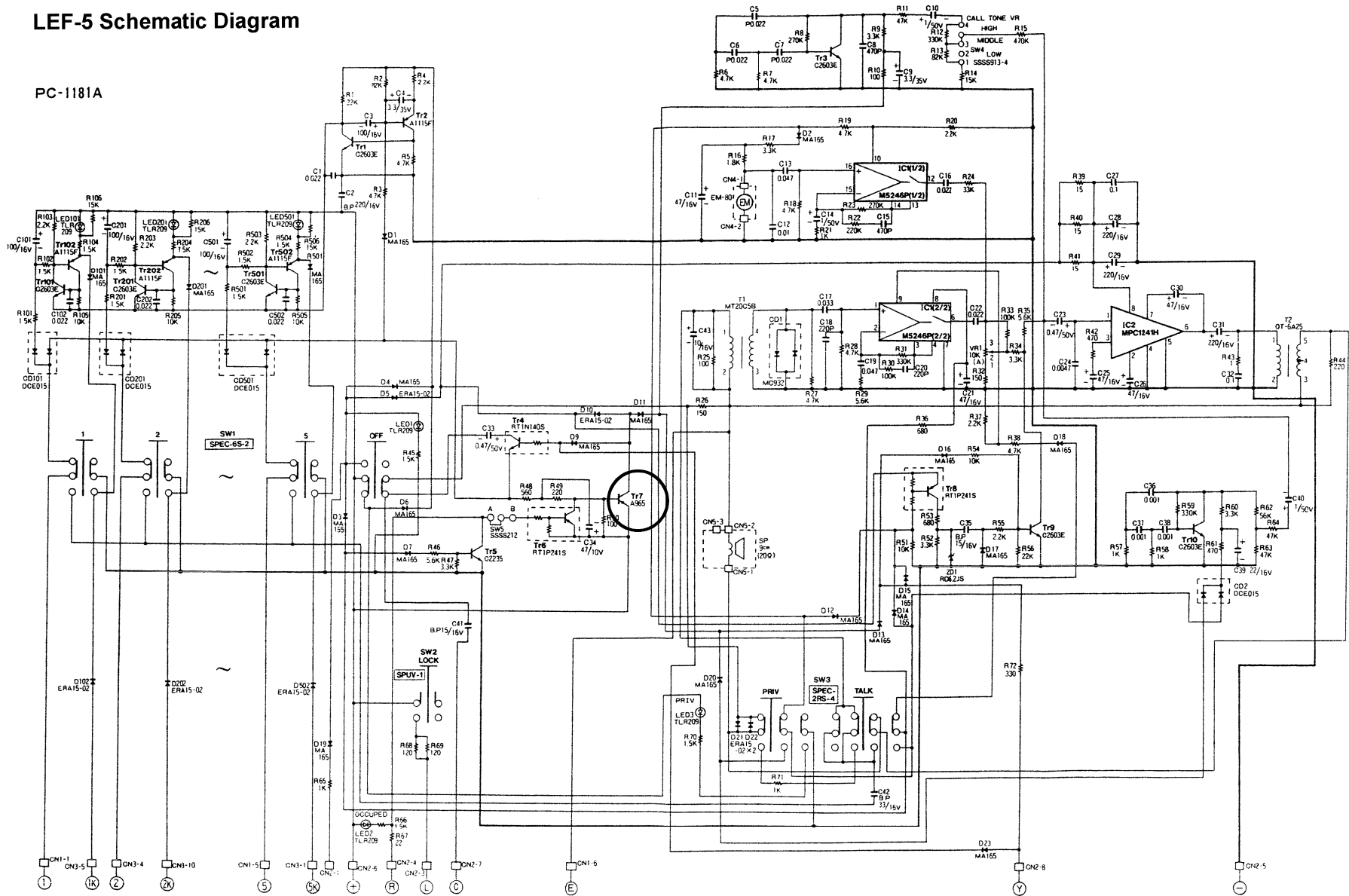


Remove transistor Tr7.
This will eliminate the call tone from
being heard when a remote station calls.

ELIMINATE INCOMING CALL TONE (LEF-5)

LEF-5 Schematic Diagram

PC-1181A

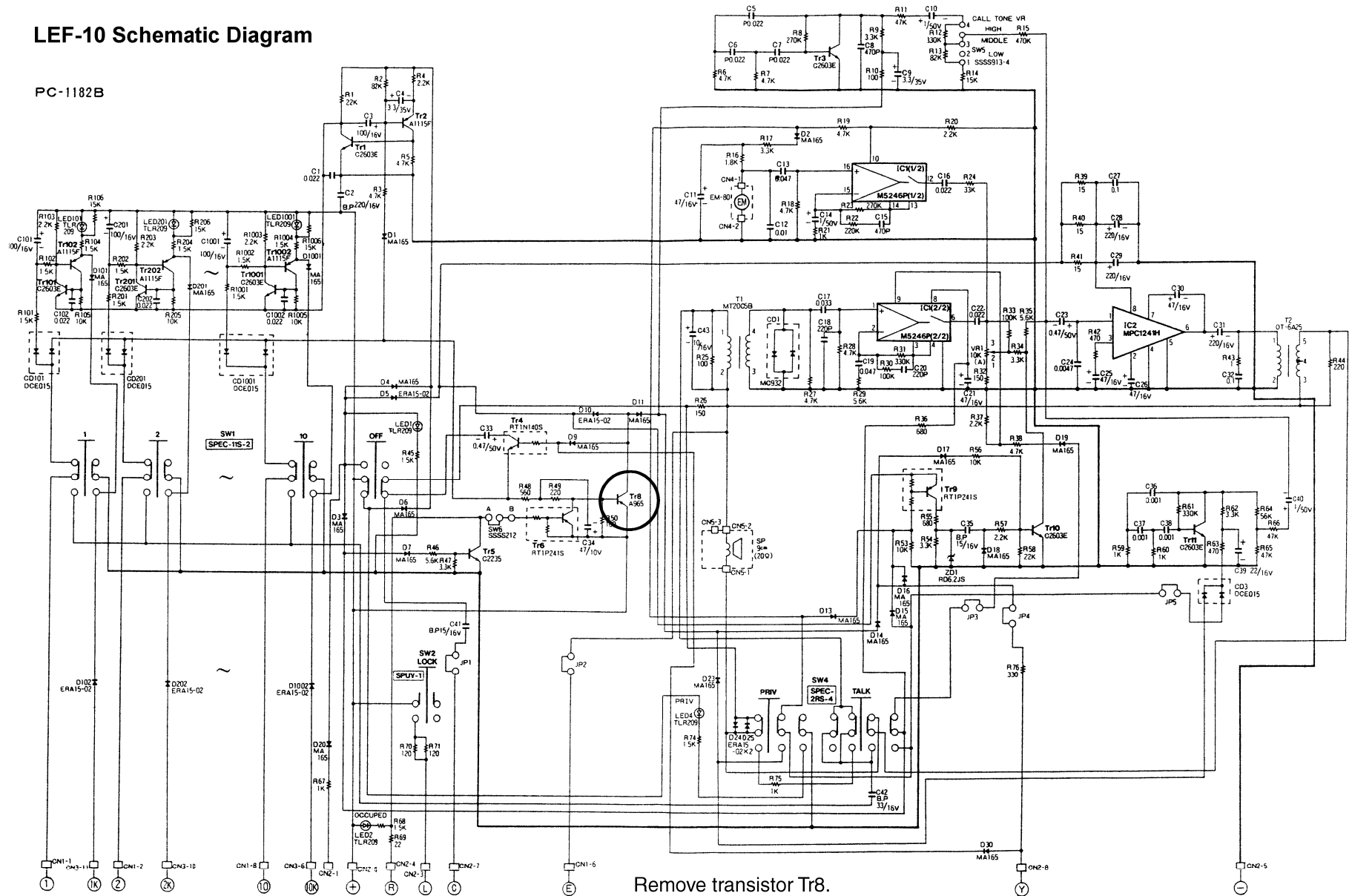


Remove transistor Tr7.
 This will eliminate the call tone from
 being heard when a remote station
 calls the master station.

ELIMINATE INCOMING CALL TONE (LEF-10, LEF-10S)

LEF-10 Schematic Diagram

PC-1182B



Remove transistor Tr8.
This will eliminate the call tone from
being heard when a remote station
calls the master station.