

SYSTEM/MODEL: NEM

MODIFICATION: Call initiation from NA sub when an NA-T/A is also used

DIFFICULTY LEVEL: 4 - Moderate/hard - Internal connection or component addition.

COMPONENTS REQUIRED: 1.Capacitors: Three Aiphone model NP-25V (33 μ fd, 25V, Non-polarized)

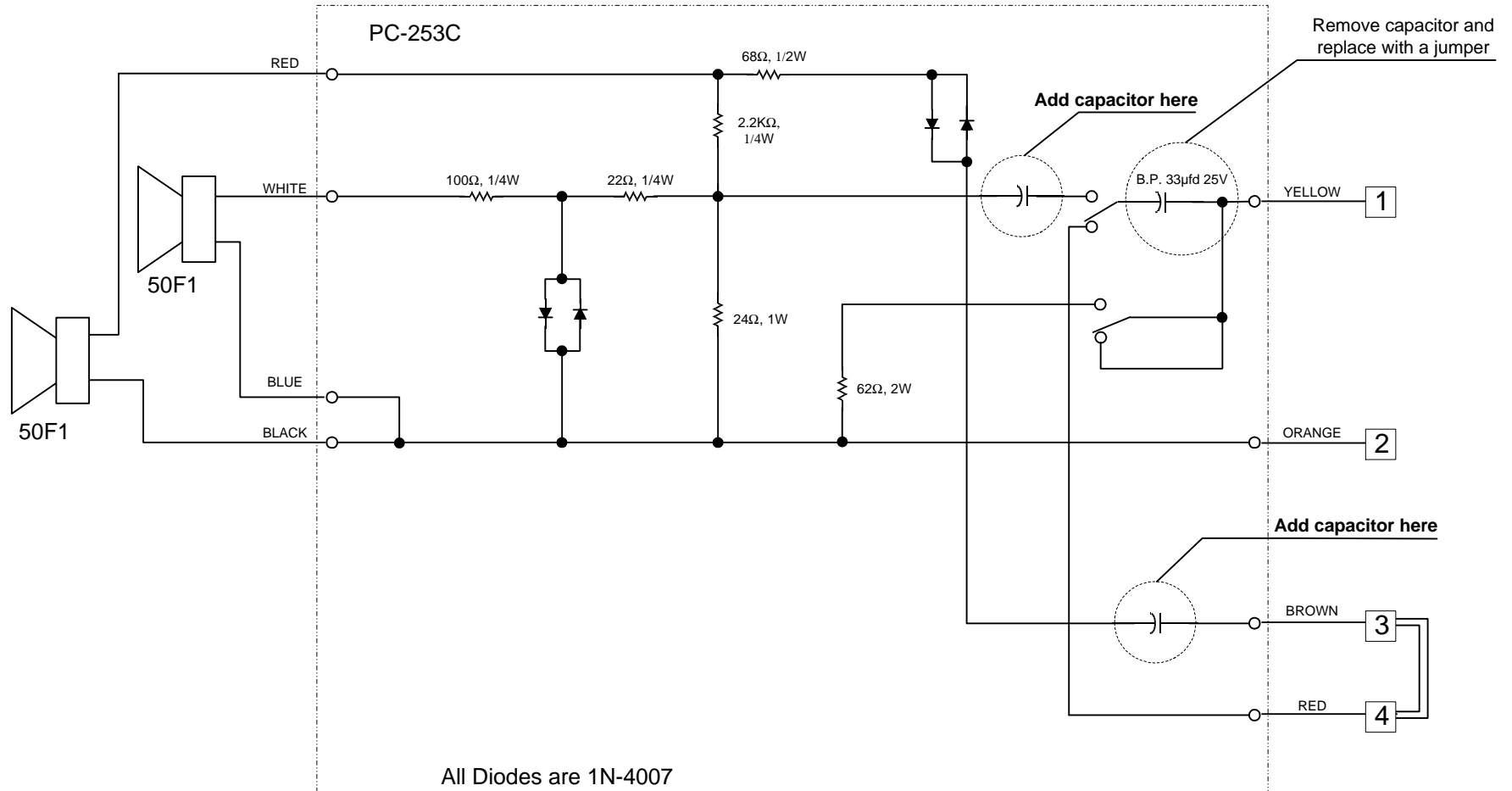
INSTR/OPERATIONS: 1. Install capacitors as shown on following schematic.
2. Remove capacitor shown and replace with jumper.

REFERENCE DRAWING #:

Aiphone's product warranty applies to products properly modified using these instructions.
However, if a unit is damaged as a result of improper modification, the warranty does not apply.

MODIFICATION DIAGRAM

NA-T/A USED IN CONJUNCTION WITH A STANDARD SUB STATION



NOTES:

1. This modification will allow the call button on an NEM series sub station to place a call to the master.
2. Picking up the NA-T/A handset will also activate the call-in from the sub location.
3. Capacitors being added are the NP-25V (33 μfd, 25V, non-polarized)