

SYSTEM/MODEL: NEM

MODIFICATION: NEM system with over 40 stations and BGM

DIFFICULTY LEVEL: 2 - Easy/moderate - Component connection to external points.

COMPONENTS REQUIRED:

1. NB-U: Background music adapter, 2 each.
2. Amplifier: 30W (Not Supplied by Aiphone)
3. RY-PA: 12V DC relay
4. Resistor: 20 ohm, 5W

INSTR/OPERATIONS:

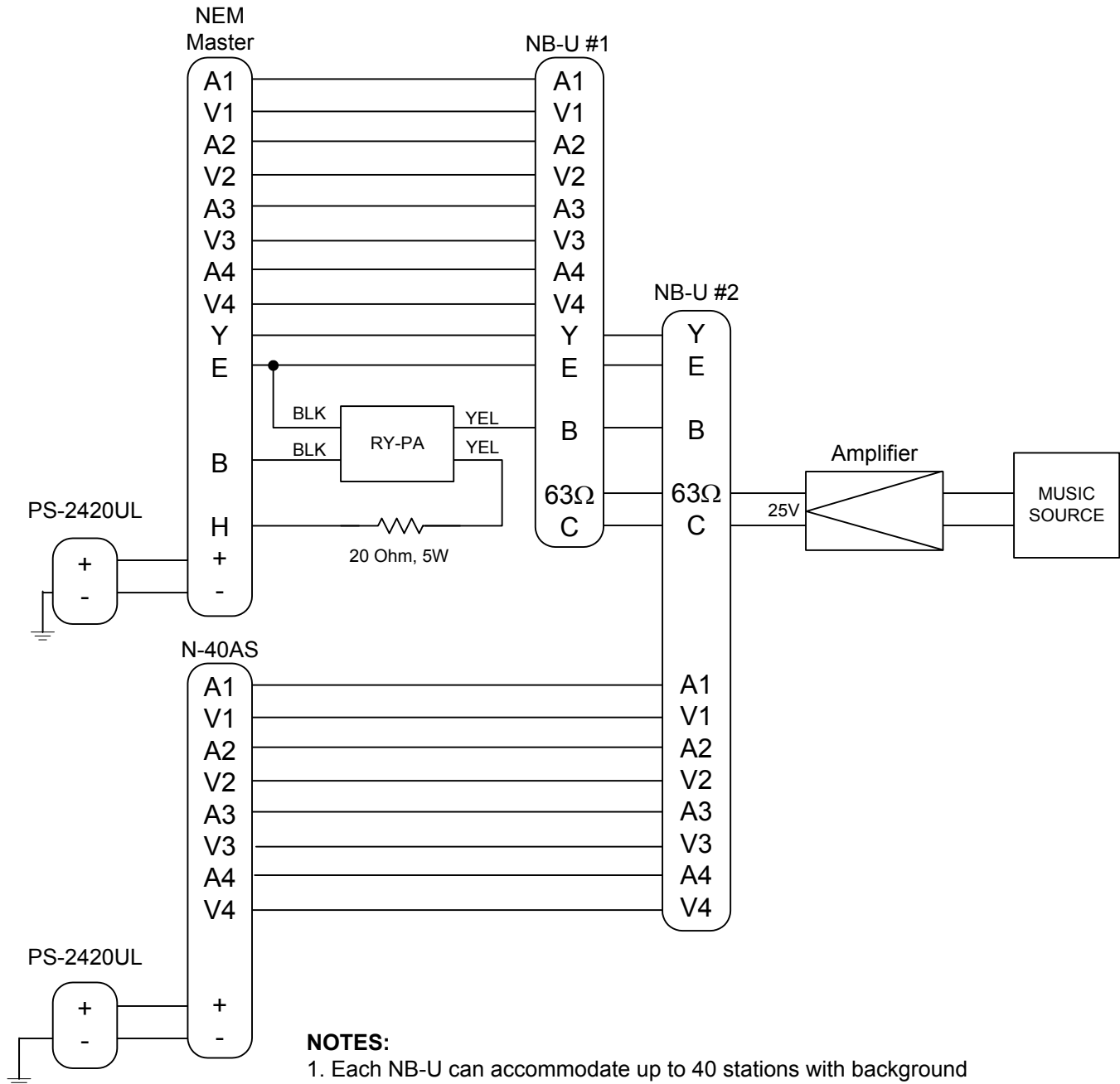
1. Install accessories as shown on diagram.
2. For larger systems, a larger amplifier will be required. Provide 30 Watt of amplification for every two NB-U's included in the system.

REFERENCE DRAWING #:

Aiphone's product warranty applies to products properly modified using these instructions.
However, if a unit is damaged as a result of improper modification, the warranty does not apply.

MODIFICATION DIAGRAM

BACKGROUND MUSIC IN A SYSTEM WITH AN ADD-ON SELECTOR



NOTES:

1. Each NB-U can accommodate up to 40 stations with background music.
2. Only connections concerning this modification are shown here. For complete system installation, please refer to the NEM system instructions, included with the equipment.