

SYSTEM/MODEL: TD-H/B

MODIFICATION: External signaling from door station(s)

DIFFICULTY LEVEL: 2 - Easy/moderate - Component connection to external points.

COMPONENTS REQUIRED:

1. RY-AC: External signaling relay.
2. External signaling device and its own power supply.
(Not supplied by Aiphone)
3. Diodes (1 per door station) if selective external signaling is required
(Value 1N4001~4007). See diagram 1058B.

INSTR/OPERATIONS:

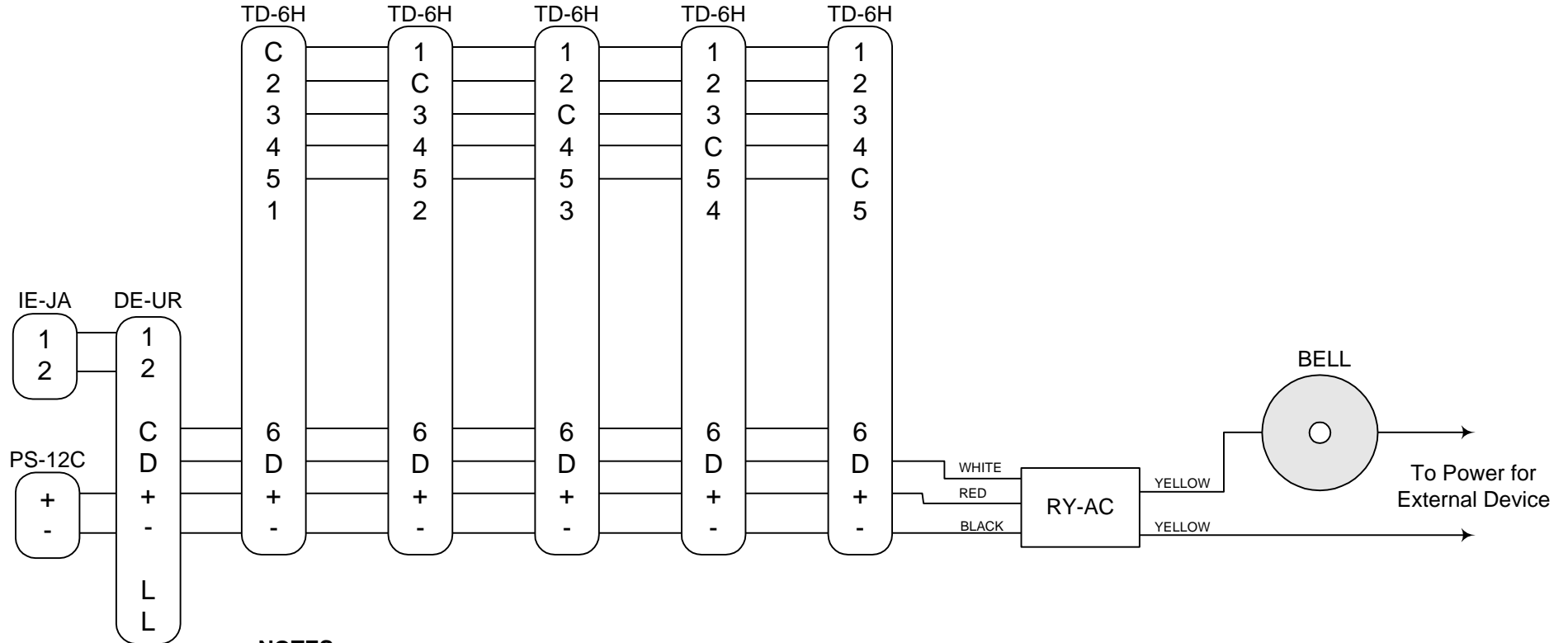
1. Install the RY-AC as shown in the following diagram.
2. YELLOW wires of the RY-AC will provide a normally open dry closure whenever the door station calls in. Connect this contact in accordance with instructions provided with your external signaling device and power for the external device.

REFERENCE DRAWING #: 1298-1058A, 1058B

Aiphone's product warranty applies to products properly modified using these instructions.
However, if a unit is damaged as a result of improper modification, the warranty does not apply.

MODIFICATION DIAGRAM

EXTERNAL SIGNALING FROM A DOOR STATION

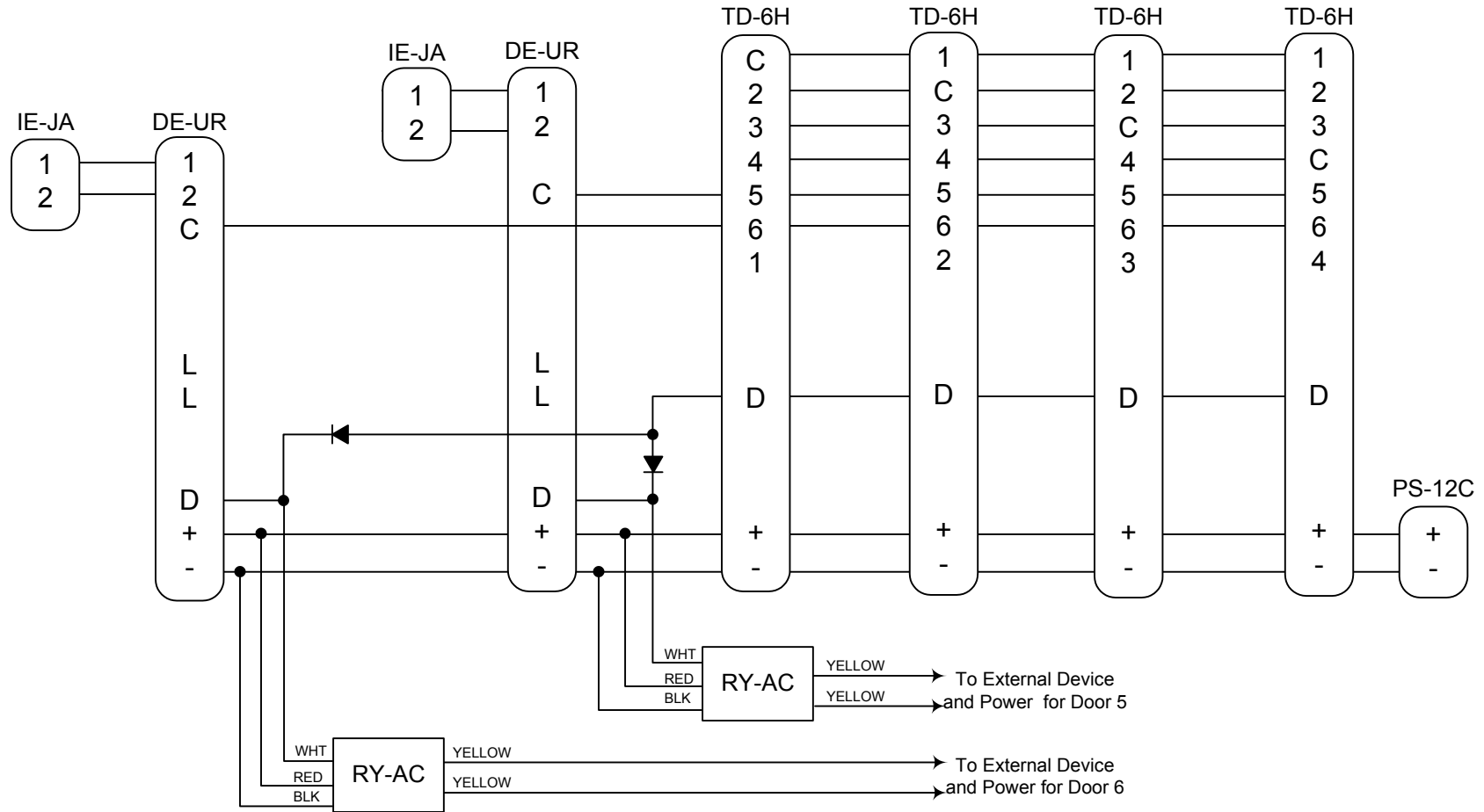


NOTES:

1. The door station is wired to station 6 in the above diagram. It can be connected to any station number desired.
2. The closure from the RY-AC will pulse on and off at the same rate the call tone is heard from the door station (fast or slow, set by A/B switch on DE-UR).
3. If no call tone is required at the handsets, connect RY-AC relay directly to the "D" terminal of the DE-UR and disconnect the "D" terminal between the DE-UR and the handsets.
4. If the call tone is not required at the handsets, connect RY-AC relay directly to the "D" terminal of the DE-UR, and disconnect the "D" terminal between the DE-UR and the handsets.

MODIFICATION DIAGRAM

SELECTIVE EXTERNAL SIGNALING FROM EACH DOOR STATION



NOTES:

1. Diodes shown are standard value (1N4001~4007).
2. The door stations are wired to stations 5 & 6 in the above diagram. Use any number.
3. The closure from the RY-AC will pulse on and off at the same rate the call tone is heard from the door station (fast or slow pulse, set by A/B switch on DE-UR).
If a third door station is required, see modification #1056.
4. If the call tone is not required at the handsets, connect RY-AC relay directly to the "D" terminal of the DE-UR, and disconnect the "D" terminal between the DE-UR and the handsets. Diodes are not necessary if call tone is not required at the handsets.

Drawing Name:
1058-TDH/B-Indv Ext Sig (DR)
Drawing # 1298-1058B