

# CEILING-MOUNT SPEAKER FRAME

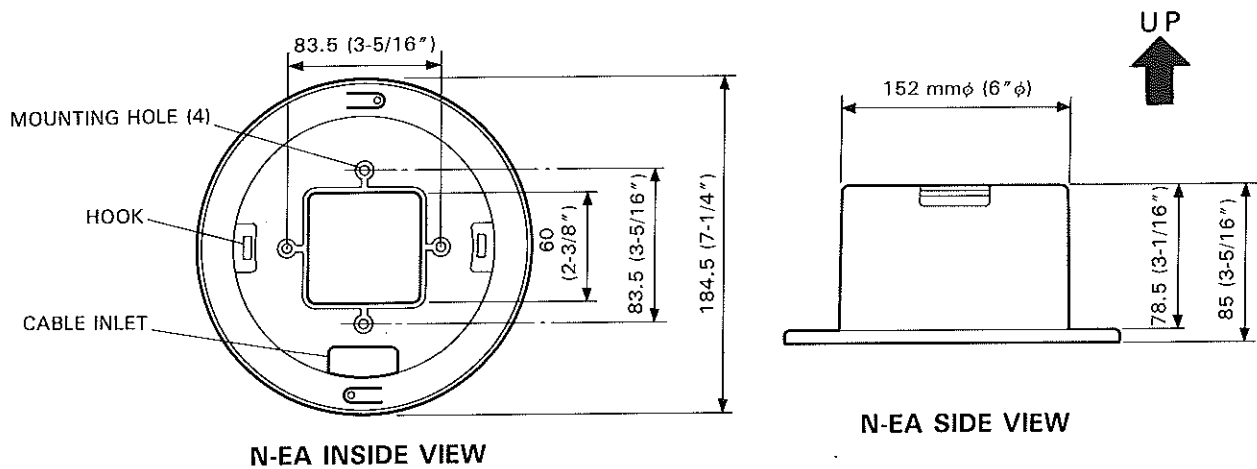
**Model;**
**N-EA**
*(Round speaker frame for ceiling exposed mounting)*

## INSTALLATION MANUAL

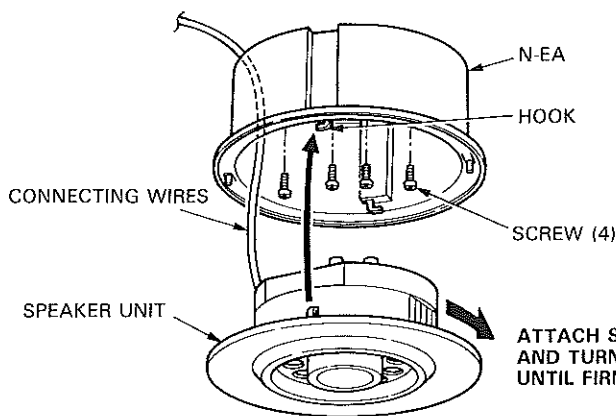
N-EA is a round frame for ceiling exposed mounting of Aiphone speakers;

- \* SP-3NA, 3W speaker with line transformer,
- \* AS-3N, sub station for AP-M & MP-S system,
- \* NB-L, sub station for NEM, NEM-A system.

### 1 NAMES AND FUNCTIONS



### 2 INSTALLATION



#### For ceiling exposed mounting of speaker;

N-EA is shipped with 4 pcs each wood screws and screws. Attach N-EA frame directly to ceiling surface or to single-gang box, if provided, with the supplied screws or any other suitable for the ceiling material used. After wiring connections, attach the speaker unit **CLOCKWISE** until firmly locked.

**ATTACH SPEAKER TO N-EA AND TURN CLOCKWISE UNTIL FIRMLY LOCKED.**