

NE-SSV

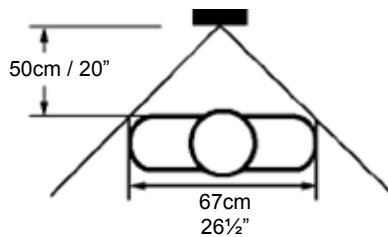
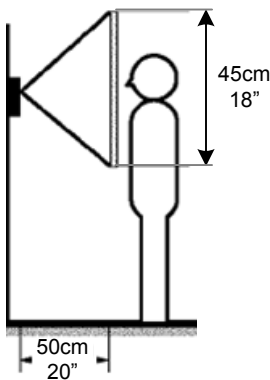
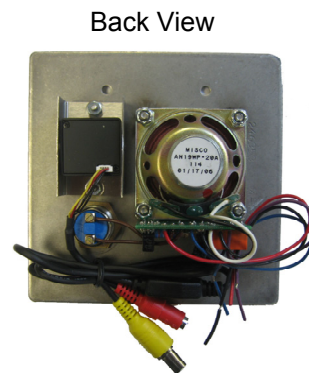
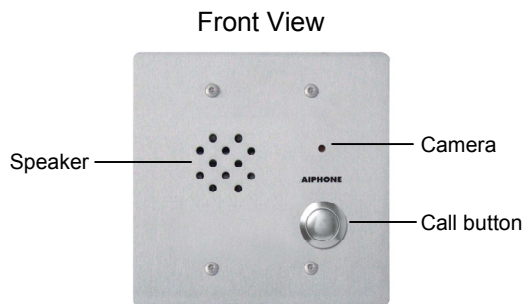
Vandal Resistant Sub Station with built in Color Pinhole Camera for use with NEM, NDR, NDRM Systems

- INSTRUCTIONS -

The NE-SSV is a 2-gang vandal and weather resistant sub station designed for use with the NEM, NDR and NDRM systems. It is constructed of 12 gauge stainless steel and has a stand alone color camera built in. It is also equipped with an option for an external output contact closure when the sub station places a call (relay required). The unit either flush mounts into a 2-gang box, or surface mounts using the SBX-2G. Each unit includes a 12V DC power transformer for the camera, tamper proof screws, and a tool for installation.

INSTALLATION:

1. For flush mounting, install sub station in standard 2-gang electrical box with minimum 2-1/2" depth.
2. For surface mounting, use the SBX-2G surface mount enclosure (sold separately).
3. **Only the 12V DC power transformer included should be used to power the NE-SSV camera.**
5. **IMPORTANT!** These units are designed for use in normal weather conditions, and to allow drainage and evaporation of moisture that naturally gets into the unit. **Do not apply caulking or silicone sealant around the unit when installing, and do not use weather stripping around the perimeter of the box when mounting.** If sealing the unit is required, the bottom must remain unsealed. Sealing the unit will prevent or inhibit moisture from dissipating from inside the unit, which may cause corrosion or deterioration of the internal components over time.

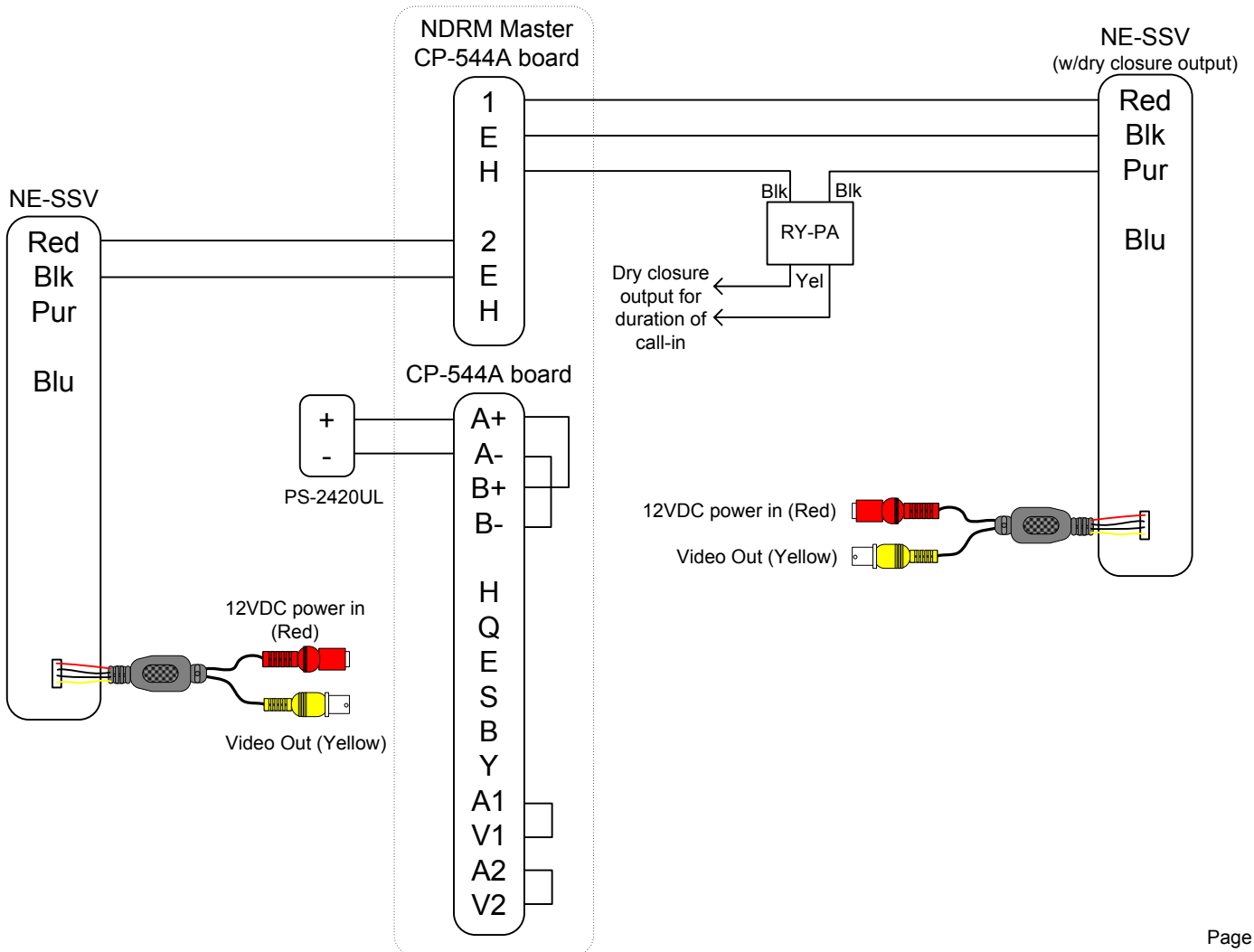
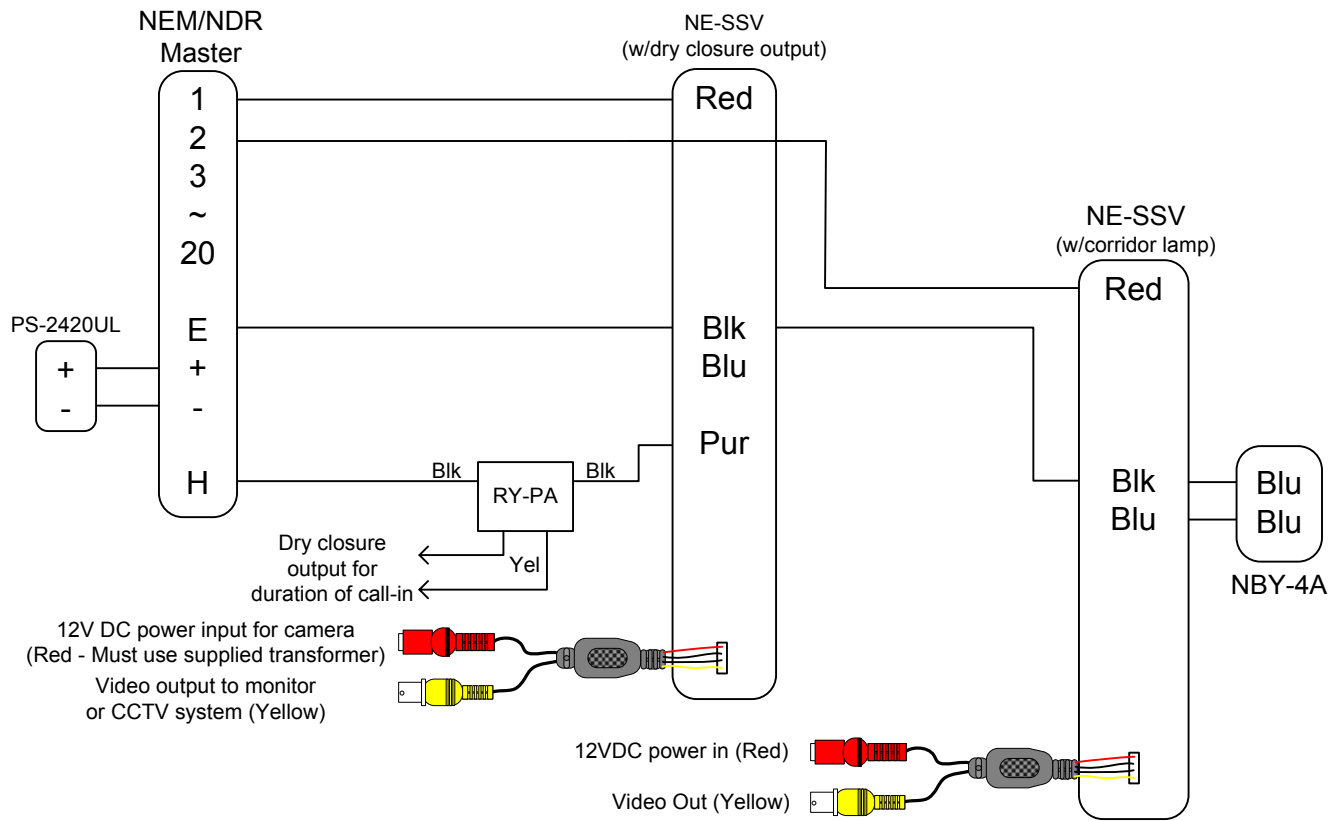


The view achieved if the subject is 20" from the camera is: 18" Vertically and 26 1/2" Horizontally

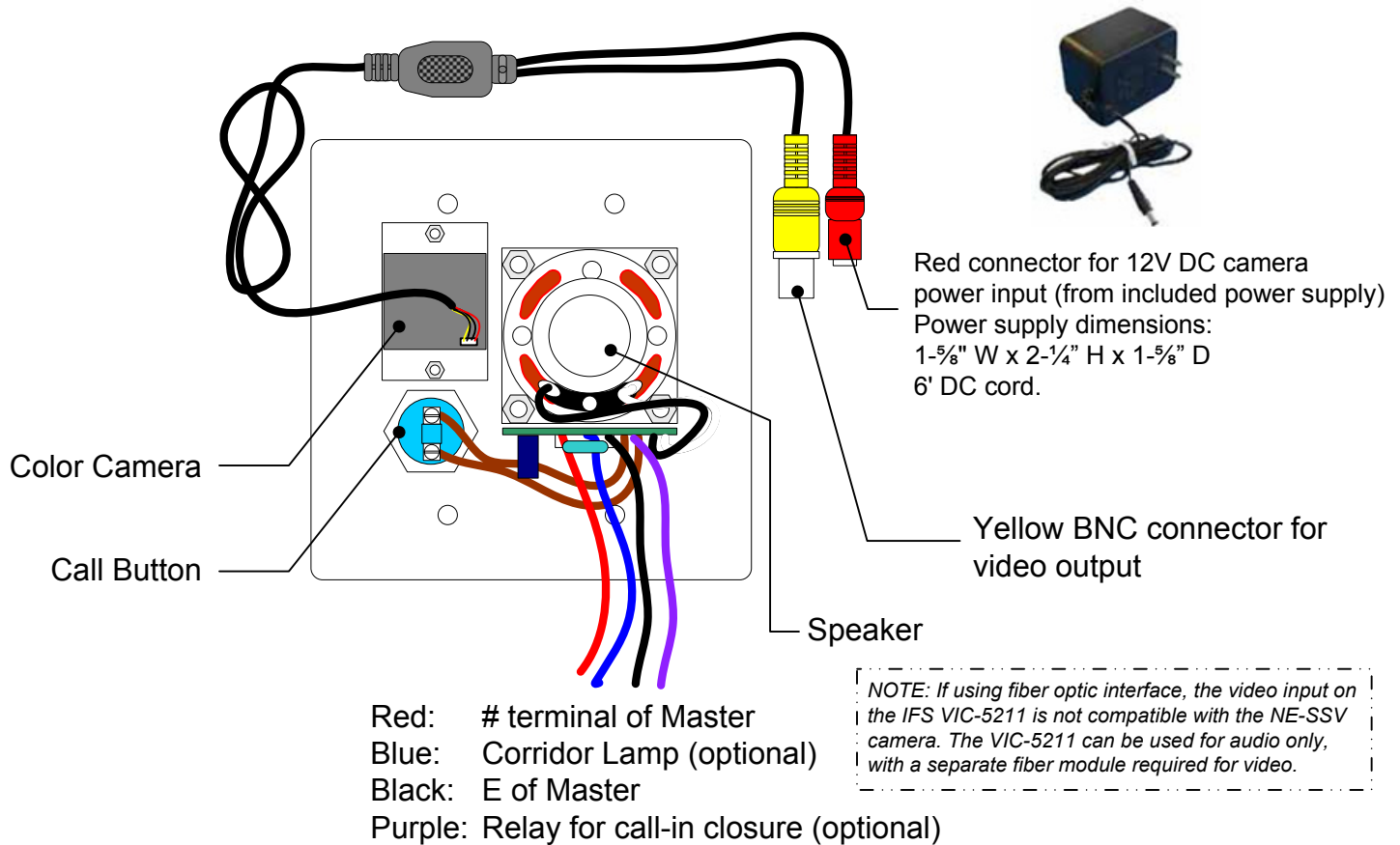


Transparent corner shadowing on the picture is normal.

WIRING DIAGRAMS:



NE-SSV BACK VIEW:



SPECIFICATIONS:

Audio Power Source:	Supplied by master station
Speaker:	20 ohms, 4W, 2" diameter, water proof and puncture resistant, 2.4 oz. magnet
Call Button:	SPST call button, momentary activation. Limited stop button.
Call Annunciation:	Pressing the call button at sub activates and latches call at NEM/NDR/NDRM master. The master station's LED will be lit and a ringing tone will be heard until the call is answered.
Communication:	Hands free at sub. Master is push-to-talk or VOX with handset.
CCTV Camera Output:	75 Ohm, 1Vp-p, NTSC, DC-coupled
Iris Control:	Auto
Minimum Illumination:	1.0 lux
Camera image sensor:	1/3" CCD
Focal Length:	4.3mm Cone Pinhole Lens (78°)
Effective Pixels:	510(H) x 492(V) NTSC
Camera Power Source:	12V DC, 100mA (via included power supply)
MTBF:	(Mean Time Before Failure) 80,000 Hours
Faceplate:	12 gauge stainless steel
Mounting:	Flush mount into a 2-gang box (minimum 2-1/2" depth) or surface mount into SBX-2G (sold separately) Tamper proof screws included (6x32 for use with flush 2-gang box) with T-10 TORX bit When using SBX-2G, use the hardware included with that unit.
Terminations:	Color-coded prewired pigtails
Operating Temperature:	14°F ~ 140°F (-10°C ~ 60°C)
Audio Wiring:	2 conductors homerun; or 1 common plus 1 individual per sub, looped through each sub. Shielded cable is recommended. Use Aiphone #822202 or #821802 for homerun wiring, #822206 for up to 5 stations on each run, or #822210 for up to 9 stations on each run.
Audio Wiring Distance:	420' with 22AWG; 1,000' with 18AWG
Video Wiring:	Independent BNC connection from substation pigtail to destination video device
Dimensions (HxWxD):	NE-SSV alone: 4-11/16" x 4-11/16" x 2" With SBX-2G: 4-3/4" x 4-7/8" x 3-5/8" (Top) 2-3/8" (Bottom)

Aiphone Communication Systems
1700 130th Ave. N.E.
Bellevue, WA 98005
(425) 455-0510
FAX (425) 455-0071

TOLL FREE TECHNICAL SUPPORT: (800) 692-0200
TOLL FREE FAX LINE: (800) 832-3765
TECHNICAL SUPPORT E-MAIL: tech-serv@aiphone.com

NE-SSV Instr.
0607JDJS