

NHX-30G

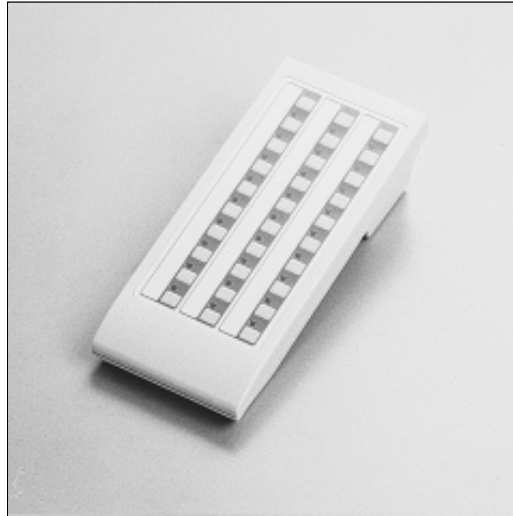
Add-on Selector

NHR-30K

Expansion

Trunk Card

(Not pictured)



DESCRIPTION:

The NHX-30G 30-Station Add-on Selector expands the CommuniCare system to its maximum capacity of 80 stations. With a simple connection to the NHX-50M, the 80-call master station remains streamline and compact in size.

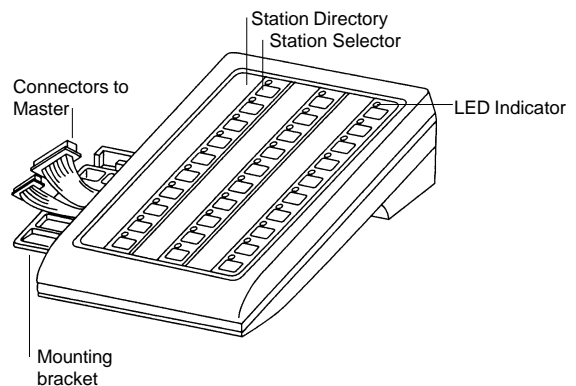
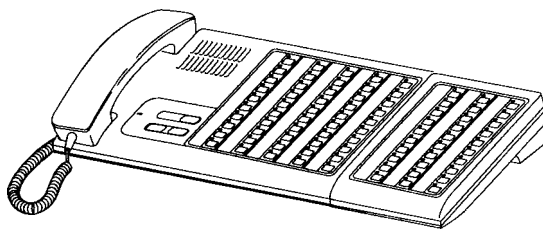
The NHR-30K Expansion Trunk Card provides the additional call signaling and control functions for the add-on selector, and is installed inside the Central Control Unit.

OPERATION:

A call from stations 51-80 will annunciate on the add-on selector. Call answering is the same as any call on the master station. Routine calls can be cancelled at the master station, including the add-on selector, and any urgent calls or bedside cord-out calls must be reset at the calling location.

FEATURES:

- **Controlled from NHX-50M**
- **Compact slimline design**
- **Routine Call and Bathroom Call annunciated by slow or fast flashing LED and tone**
- **Auto-connect to next call in priority -- No need to select station**
- **Additional capacity controlled by NHR-30K Expansion Card (Installed in NHX-80X CCU)**



ARCHITECTS/ENGINEERS SPECIFICATIONS:

Add-on selector for CommuniCare master station shall be Aiphone model NHX-30G, constructed of high-impact ABS fire-retardant plastic, with 30 station selectors, LEDs, and directory.

Channel selectors and call LEDs shall be displayed on console in vertical rows of 10 stations. Membrane-style control panel shall be constructed of a mar-resistant and moisture-resistant material over tactile select switches. Selector points shall be slightly raised for easy tactile activation.

Tones from calls received on add-on selector shall be heard from master station, indicating a routine or bathroom call. A third alert tone shall indicate cord-out status.

When the add-on selector is included, the NHR-30K Expansion Trunk Card, available separately, shall be installed in the NHX-80X Central Control Unit.

Connection to the system shall be via multi-pin connectors plugged into NHX-50M master station, and a mounting bracket securing the units together.

Physical size of the 30-call add-on selector shall not exceed 2-5/16" x 3-9/16" x 8-1/4".

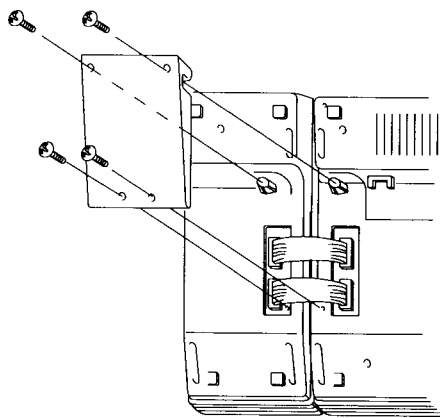
Equipment shall be UL 1069 listed, and system components shall be provided by a manufacturer having ISO 9001 certification for quality standards.

CONTROLS AND INDICATORS:

- LED indicators display call location and status
- Station selector buttons, pressed only when a call is initiated to a patient station
- Directory panel, with room numbers/locations indicated (by end-user)

MOUNTING:

Connection to Master Station



SPECIFICATIONS:

Power source:	Provided by NHX-50M
Capacity:	30 stations
Control Circuitry:	NHR-30K, installed in NHX-80X
Wiring:	Multi-pin connector plugs into NHX-50M
Material:	High impact ABS fire-retardant plastic
Color:	White
Dimensions (H x W x D):	NHX-30G 2-5/16" x 3-9/16" x 8-1/4"
	NHX-50M + NHX-30G: 3-1/4" x 14-9/16" x 8-1/4"
Certification:	UL 1069 Listed C-UL Canadian Standard C22.2

Product specification subject to change without notice.

