

PAA-100F

Supplemental Regulator Unit

For RCX-88 and RCX-128 Systems that include the ALL CALL Feature

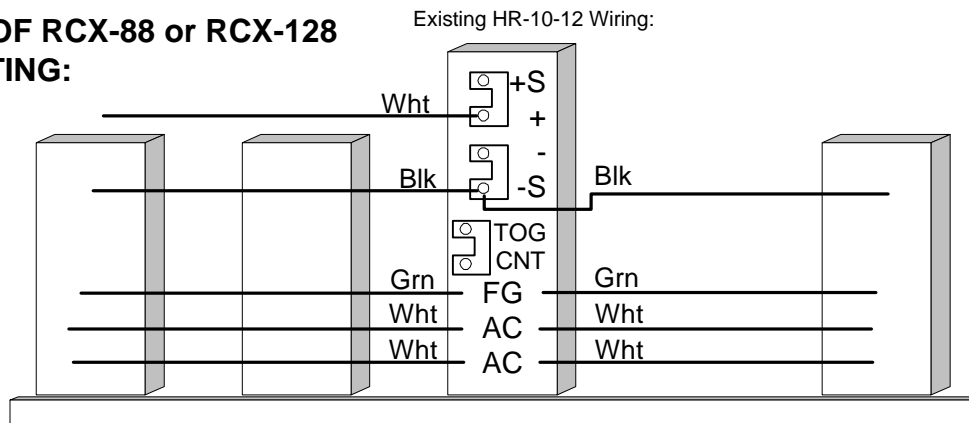
- INSTRUCTIONS -

The RCX-88 and RCX-128 Systems have the All Call feature as an option. This option requires more power than the standard CEU provides. The PAA-100F Supplemental Regulator Unit provides the necessary power to operate the system and the All Call feature. This unit replaces the HR-10-12 power source that comes standard in the RCX-88 and RCX-128.

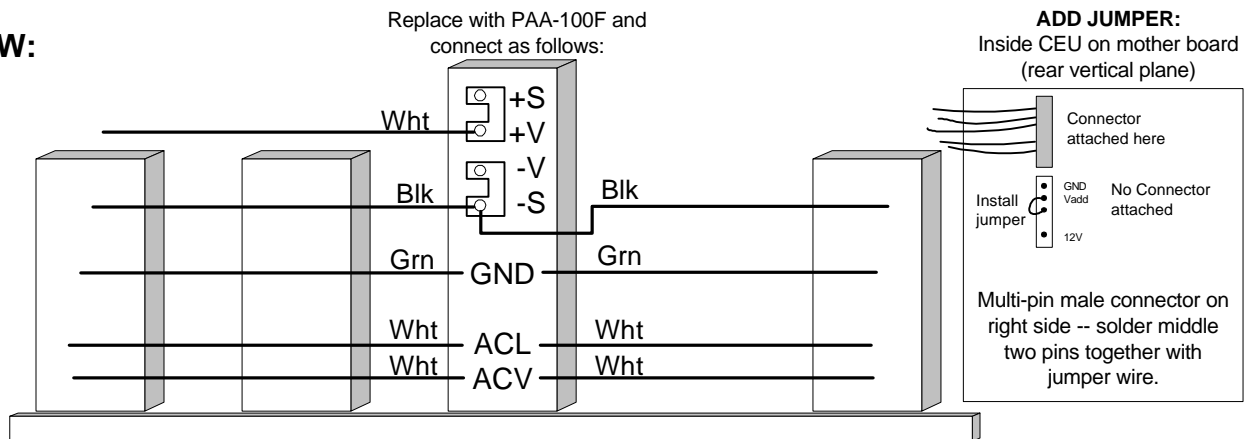
INSTALLATION:

1. Locate existing HR-10-12 at the top of the RCX-88 or RCX-128.
2. Mark wires with terminal locations before disconnecting, then disconnect and remove the unit.
3. Remove the aluminum plate from the bottom of the HR-10-12 and reattach it to the bottom of the PAA-100F. Install the new regulator unit in place of the original one.
4. Reconnect the wires to the PAA-100F in the same way that they were connected previously.
Note some of the terminal definitions are labeled slightly differently, but they have the same function.

TOP OF RCX-88 or RCX-128 EXISTING:



NEW:



NOTE:

Only wiring concerning the supplemental regulator unit is shown here. For complete installation and wiring information, please see the complete RCX Installation instructions.