

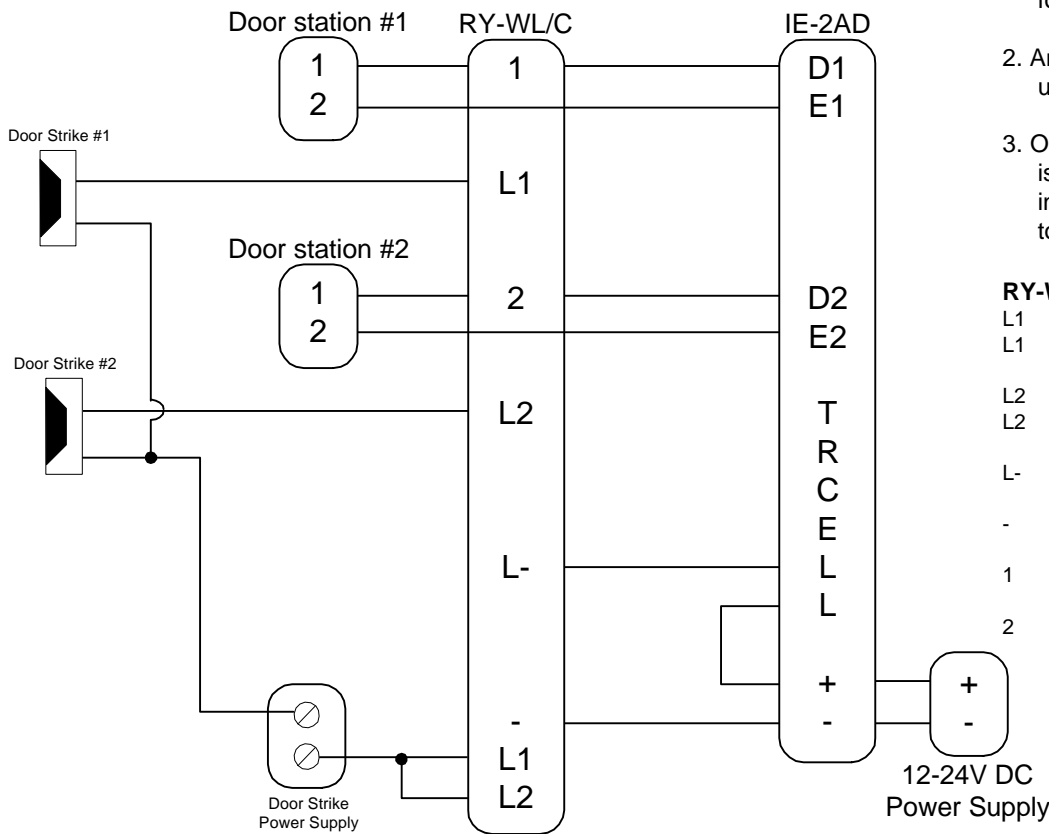
RY-WL/C

Dual Door Release Adaptor for the IE-2AD

- INSTRUCTIONS -

This adaptor allows selective release for two doors. The door release button on the master unit will release only the door where communication has been established.

WIRING DIAGRAM WITH IE-2AD: (See page 2 for MY-2CD Instructions)



NOTES:

1. The 3-wire connector is supplied with the RY-WL/C is not required for connection to the IE-2AD.
2. Any IE series door station can be used with this system.
3. Only wiring concerning the RY-WL/C is shown here. For complete installation information, please refer to the system instructions.

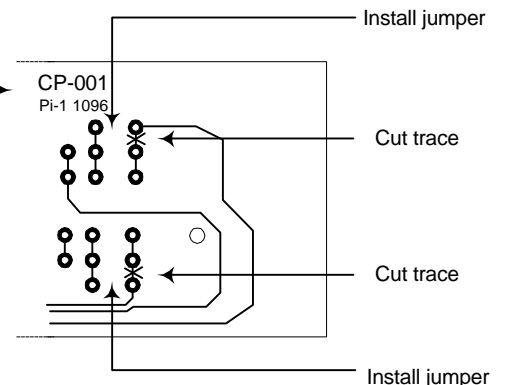
RY-WL/C TERMINAL DEFINITIONS:

- L1 Normally open contact closure for door #1
- L2 Normally open contact closure for door #2
- L- Trigger control for door release
- Negative
- 1 Sensing control for door #1
- 2 Sensing control for door #2

NOTE: The IE-2AD must be powered with DC voltage when using the RY-WL/C.

CONVERTING THE RY-WL/C CONTACTS TO NORMALLY CLOSED:

1. Locate CP-001 inside RY-WL/C.
2. Cut traces on CP-001 where indicated by "X". (See illustration)
3. Solder a jumper between each pair of adjacent open holes on each side of the board. (See illustration)
4. Connection remains unchanged.



RY-WL/C

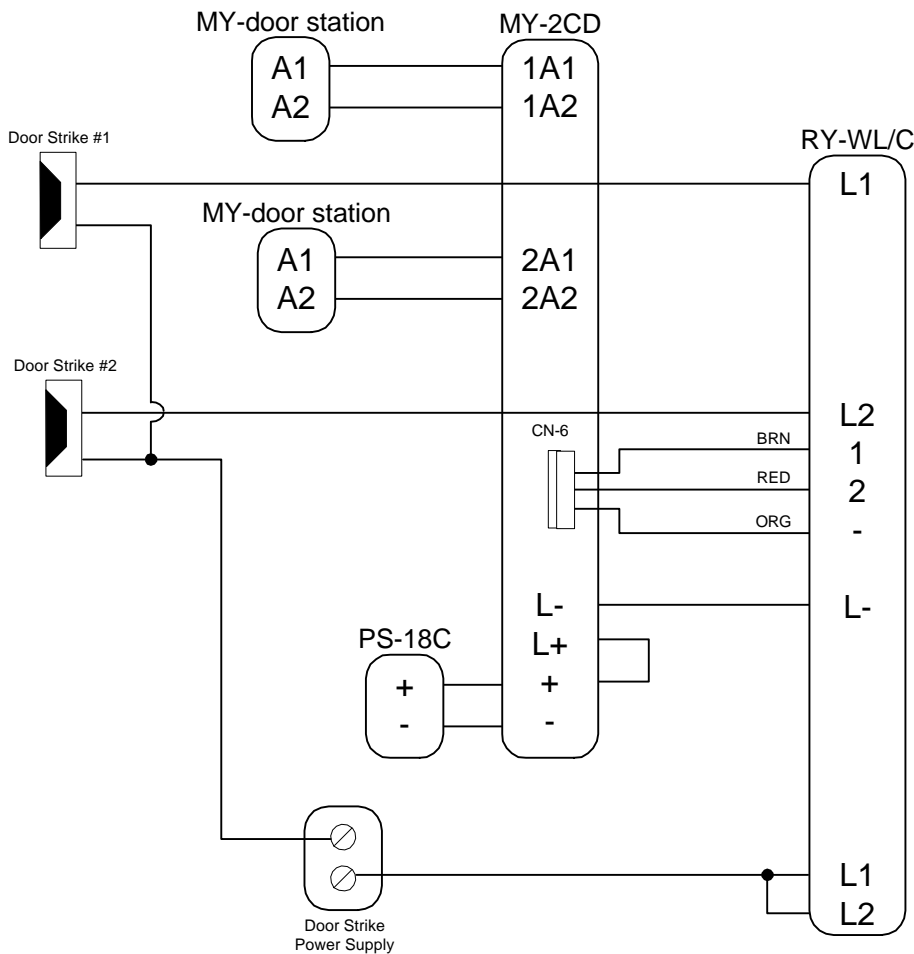
Dual Door Release Adaptor for the MY-2CD

- INSTRUCTIONS -

This adaptor allows selective release for two doors. The door release button on the master unit will release only the door where communication has been established.

NOTE: There is no door release for the optional audio-only door station.

WIRING DIAGRAM WITH MY-2CD: (See page 1 for IE-2AD Instructions)



NOTES:

1. CN-6 is an internal connection on XC-254. The 3-wire connector shown is included with the RY-WL/C.

2. Any MY series door station can be used with this system.

3. Only wiring concerning the RY-WL/C is shown here. For complete installation information, please refer to the system instructions.

RY-WL/C TERMINAL DEFINITIONS:

- L1 Normally open contact closure for door #1
- L2 Normally open contact closure for door #2
- L- Trigger control for door release
- Negative
- 1 Sensing control for door #1
- 2 Sensing control for door #2

CONVERTING THE RY-WL/C CONTACTS TO NORMALLY CLOSED:

1. Locate CP-001 inside RY-WL/C.
2. Cut traces on CP-001 where indicated by "X". (See illustration)
3. Solder a jumper between each pair of adjacent open holes on each side of the board. (See illustration)
4. Connection remains unchanged.

