

STAINLESS STEEL DEVICE ENCLOSURE**SBX-ACE**

for Intercom Door Station and Access Control Device (i.e. Card or Proximity Reader, Keypad)

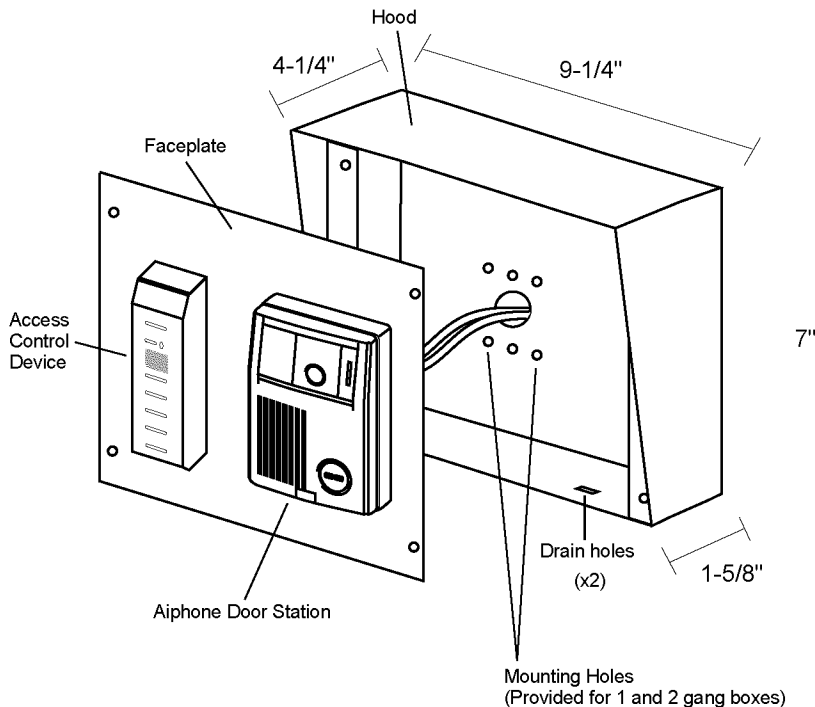
- INSTRUCTIONS -

The SBX-ACE is a surface mount stainless steel enclosure designed for mounting an Aiphone door station and an access control device. Use any Aiphone 1-gang audio or video door station, along with a card reader or keypad for access control. This enclosure can be used as a stand-alone box for mounting any card or proximity reader, or other device requiring a hooded outdoor box. The SBX-ACE includes room inside for wiring, and is weather resistant.

MOUNTING

(See illustration below)

1. Remove faceplate from SBX-ACE.
2. Position Aiphone door station and access control device onto faceplate, and mark where holes are needed for mounting and wiring the devices.
3. Drill the faceplate with a tool that will penetrate stainless steel.
4. Mount Aiphone door station and access control device per instructions provided with those units.
5. Mount SBX-ACE to wall or stanchion surface using the appropriate gang box mounting holes.
6. Make wiring connections to Aiphone door station and access control equipment.
7. Mount faceplate to hood using the tamper resistant screws provided.

**AIPHONE DOOR STATIONS:**Audio only:
LE-D, IF-DABlack & White Video:
MK-DS, MK-DACColor Video:
KB-DAR, KC-DAR**SPECIFICATIONS:**

Mounting:	Surface mount directly to wall surface, or to 1- or 2-gang box.
Material:	18 Gauge stainless steel
Screws:	8x32 Tamper resistant (x4); tool included
Color:	Polished stainless steel
Overall Dimensions:	7"H x 9-1/4"W x 4-1/4"D (top) 1-5/8"D (bottom)
Faceplate Dimensions:	6-15/16"H x 8-15/16"W
Interior Depth:	1-5/8"
Conduit Connection:	7/8" Knockouts (x3)