

SURFACE-MOUNT BACK BOX

MODEL; **VC-BBX**

INSTALLATION MANUAL

1

DESCRIPTION

VC-BBX is a surface-mount back box for Aiphone's VC-M Apartment Entry Security System Models; VC-0M, VC-1M, VC-2M, VC-4M, VC-8M & VC-10M
VCH-8, VCH-16(add-on panels)

VC-BBX can be assembled in multiples for such cases as VC-M unit is installed together with VCH-8/16 add-on panel(s).

When mounting VC-nM/VCH panels to VC-BBX, back boxes supplied with each VC-nM/VCH units are not used. Back illumination kit is not supplied with VC-BBX. If required, please use the one supplied with VC-nM/VCH units.

Mounting accessories;

Screw(x 2)



(for mounting to gang box)

Wood screw(x 2)

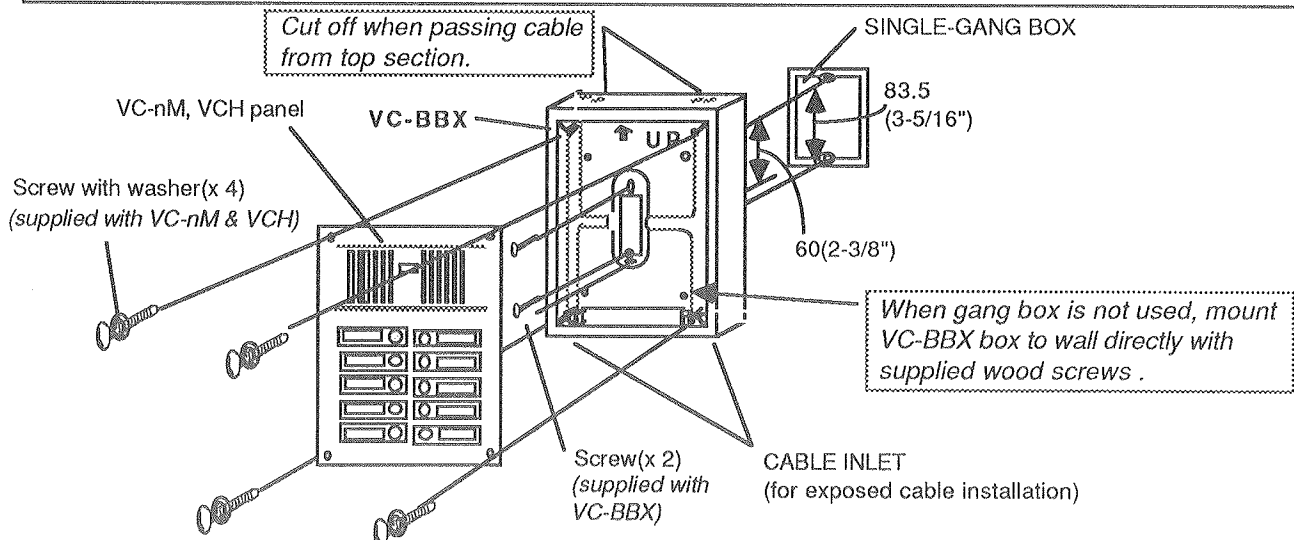


(for mounting to wall surface)

2

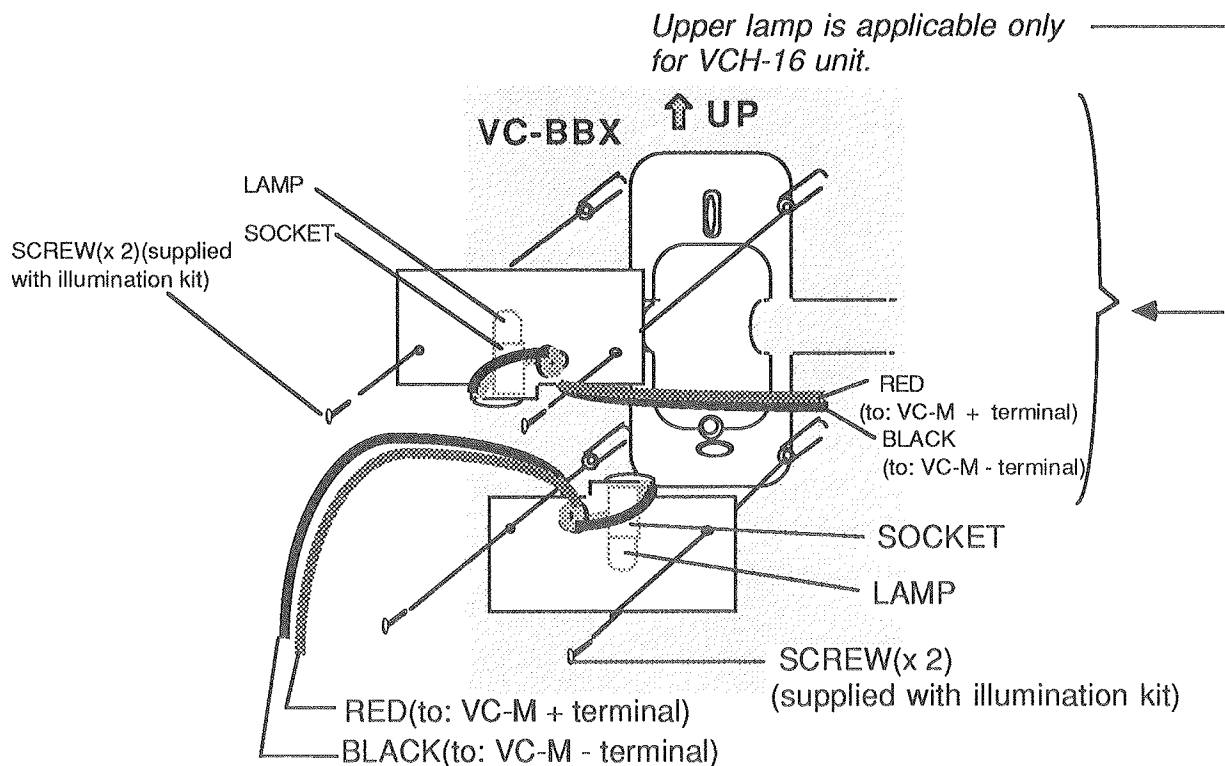
INSTALLATION

(1) Mounting VC-nM panel to VC-BBX box;



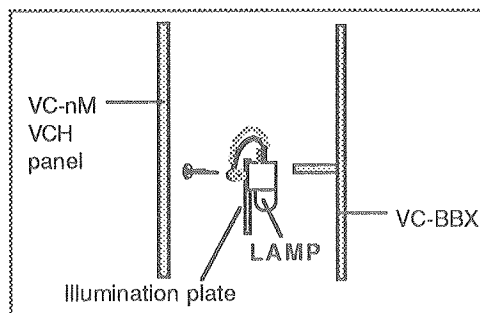
As shown, VC-BBX may be mounted on single-gang box or to wall directly. Two cable inlets are provided at the bottom on VC-BBX, or may be introduced from top of VC-BBX, by removing either of two inlet parts by a knife.

(2) Mounting illumination lamp;



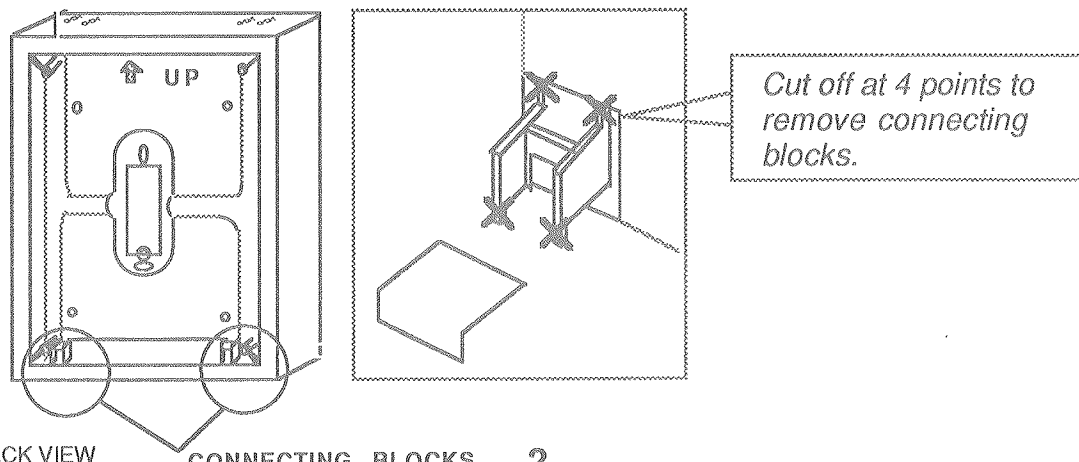
As shown, attach the back illumination lamp at the lower studs for VC-nM and VCH-8 units.

Attach the illumination plate to VC-BBX box in such a manner as the lamp is located between VC-BBX and the plate.

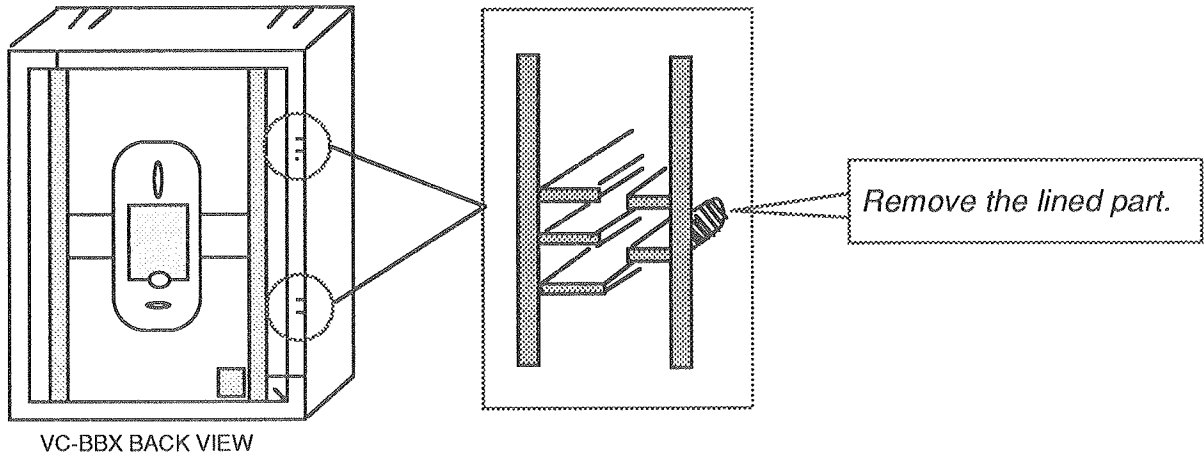


(3) Assembling VC-BBX boxes;

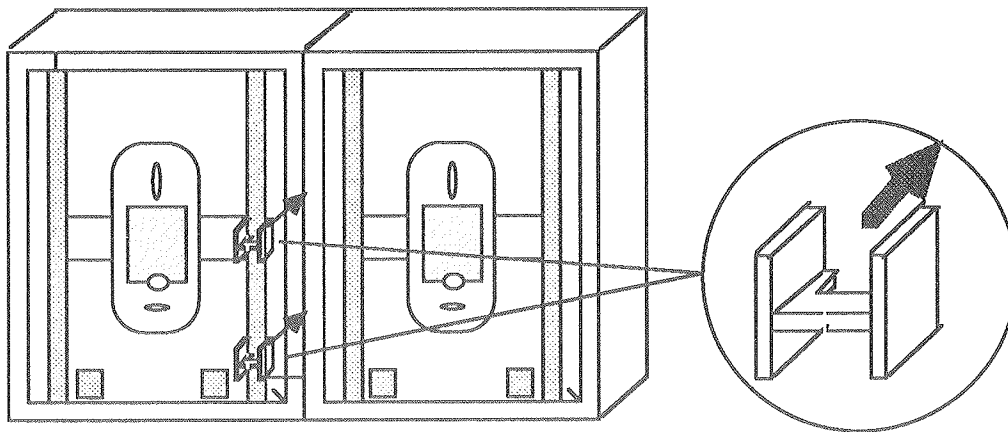
- 1 Separate connecting blocks from the VC-BBX box.



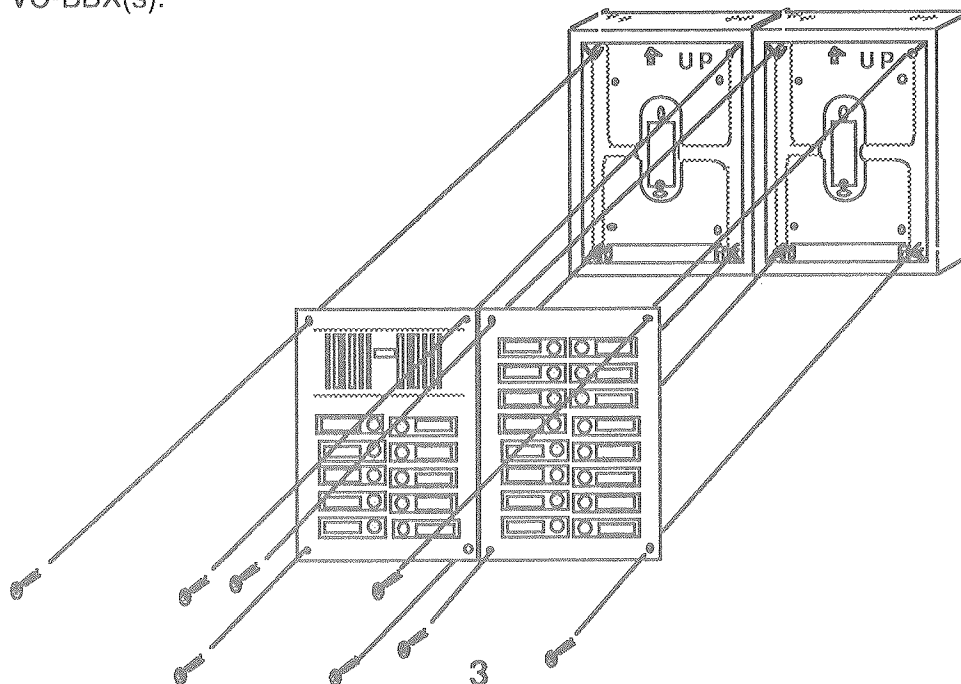
- 2 Knock out outside walls, as shown.



- 3 Assemble two VC-BBX boxes with two connecting blocks.

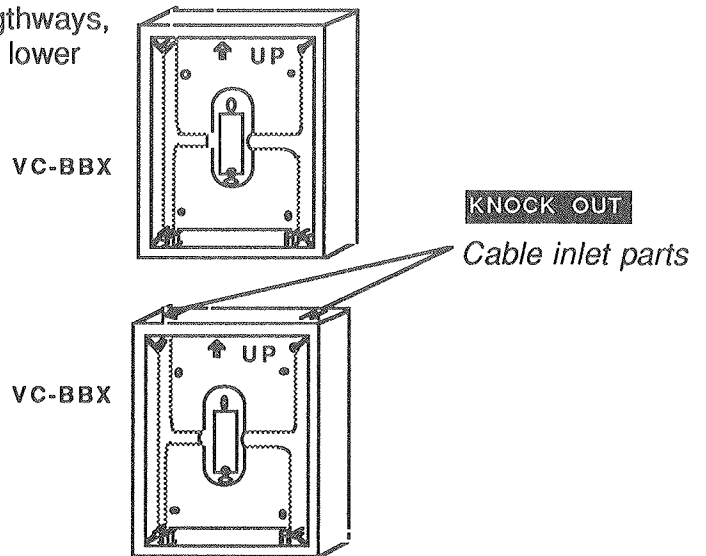


- 4 After mounting VC-BBX box(es) to wall and wiring, attach VC-nM and VCH panels to VC-BBX(s).

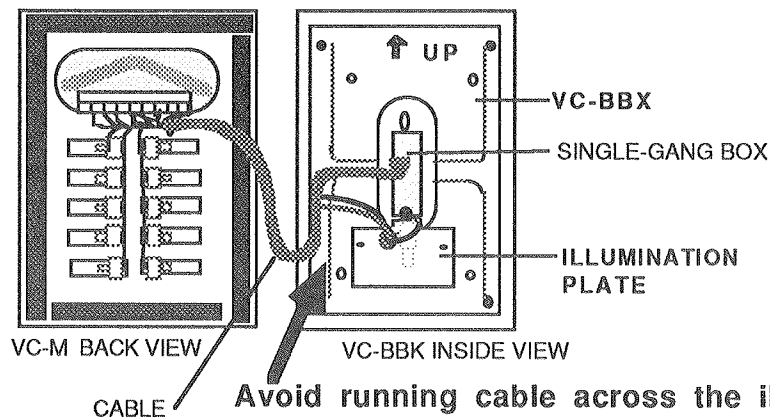


(4) PRE-INSTALLATION INSTRUCTIONS

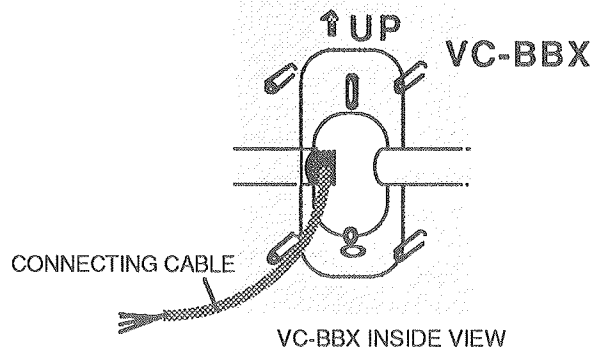
- (1) When assembling VC-BBX boxes lengthways, knock out cable inlet parts on top of the lower VC-BBX box.



- (2) Be careful that cable should be run so as not to be pinched by the illumination plate.



- (3) To avoid worms, etc. from coming into the box, it is suggested that rags or sponges, etc. be put thru the cable inlets.



Dimensions: H: 264 x W: 190 x D: 52(mm)(10-3/8" x 7-1/2" x 2-1/16")
59mm(2-5/16") deep with VC-M panel mounted on VC-BBX.

Aiphone Co., Ltd., Nagoya, Japan
Aiphone Corporation, Bellevue, Washington, USA

INTERCOM SYSTEMS
AIPHONE
HOME, BUSINESS, INDUSTRY