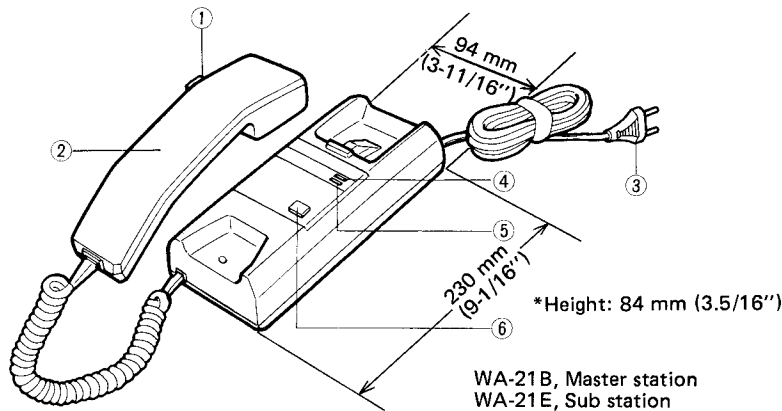


TELEPHONE TYPE INTERCOM

MODELS: WA-21B (Master station)
WA-21E (Sub station)

— INSTRUCTIONS —



NAMES AND FUNCTIONS

- ① Page button
- ② Handset
- ③ AC plug
- ④ Power lamp (red)
- ⑤ Occupied lamp (red)
- ⑥ Call button

SPECIFICATIONS

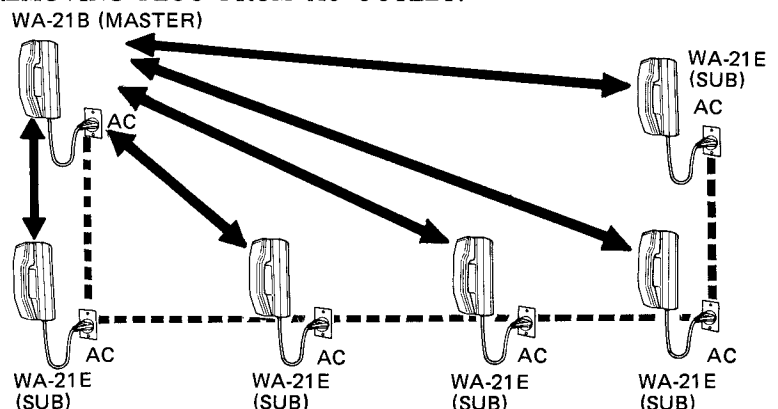
- * Power source: AC110-125V, 220-240V, 50/60HZ.
- * Power consumption: 3W maximum. 1.6W in standby mode per station.
- * Calling: Electronic tone or voice direct.
- * Modulation: FM
- * Carrier frequency: WA-21B; 270KHz. for transmission
390KHz. for reception
WA-21E; 390KHz. for transmission
270KHz. for reception
- * Open voice output: 25mW.

FEATURES

- * Simply plug into AC outlet. **NO WIRING!**
- * System may include one master (WA-21B) and up to five subs (WA-21E).
- * Calling either by tone or voice.
- * FM modulation gives clear voice communication.

IMPORTANT INSTRUCTIONS

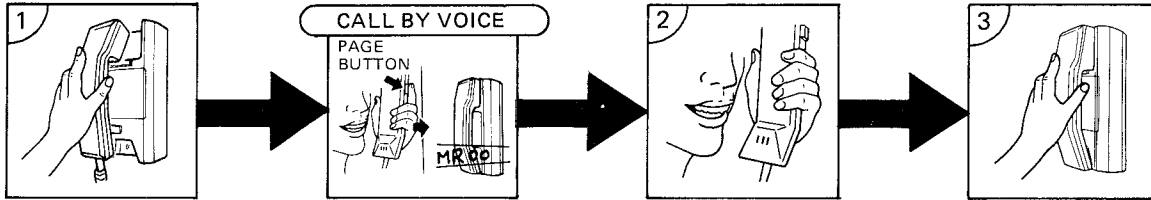
- 1) Use WA-21B/WA-21E in the same premises where the AC outlets are extended from the same transformer.
- 2) Location requirements: Do not use WA-21B/WA-21E in places exposed to
 - a) direct sunlight, air conditioner heat, b) frost, c) high temperature, vapor, water, dust, iron dust and d) near a radio receiver (which must be kept away from more than 1m).
- 3) **DO NOT OPEN THE UNIT WITHOUT FIRST REMOVING PLUG FROM AC OUTLET.**
- 4) Plug into any convenient AC outlet.
 - Power lamp will light.
 - One master system with maximum five subs. But, depending on the loaded condition on AC line, the number of subs must be reduced.
 - No communication between subs.



OPERATION

* Calling;

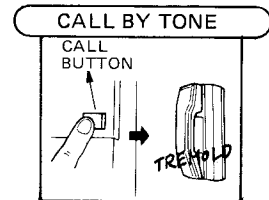
- (1) Pick up handset, depress page button and call by voice.
- (2) Release page button and talk just as on an ordinary telephone.
- (3) After conversation, hang up handset onto the cradle properly.



Note: Each unit is equipped with call button which may be used for calling from sub to master or calling each other in a simple one master/one sub system. In a system including 2 or more subs, however, master station should not use the call button which calls all subs simultaneously and invites a chance of interference by a second sub.

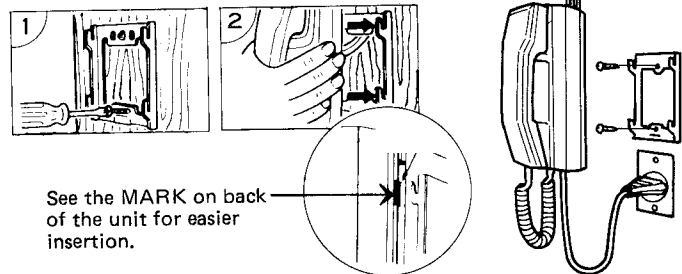
* Receiving;

- (1) Simply pick up handset and reply.
- (2) After conversation, hand up handset onto the cradle properly.



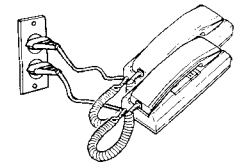
WALL MOUNTING INSTALLATION

- 1) Attach the mounting bracket to wall with the supplied screws.
- 2) Insert the prongs of the bracket into the holes of the body and pull the body downward until it locks.



TROUBLE SHOOTING GUIDE

- * Due to using AC power lines, some trouble may be caused by interference rather than equipment defect itself. It will not be equipment failure if the trouble is rectified when the units are plugged into AC outlets located close to each other. The noise may be received mainly when TV set is switched on.



We at AIPHONE are proud of our products. Our designers and engineers strive to bring you the finest in communication equipment. Each item has been carefully tested and inspected before leaving our factory. Properly installed and used, your Aiphone intercom system should give years of trouble-free service.

We are pleased to offer the following warranty:

WARRANTY

Aiphone warrants its products to be free from defects of material and workmanship under normal use and service for a period of one year after delivery to the ultimate user and will repair free of charge or replace at no charge, should it become defective upon which examination shall disclose to be defective and under warranty. Aiphone reserves unto itself the sole right to make the final decision whether there is a defect in materials and/or workmanship; and whether or not the product is within the warranty.

This warranty shall not apply to any Aiphone product which has been subject to misuse, neglect, accident, or to use in violation of instructions furnished, nor extended to units which have been repaired or altered outside of the factory.

This warranty does not cover batteries or damage caused by batteries used in connection with the product.

This warranty covers bench repairs only, and any repairs must be made at the shop or place designated in writing by Aiphone. Aiphone will not be responsible for any costs incurred involving on site service calls.