

## AI-SSV

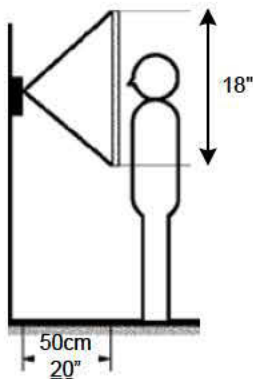
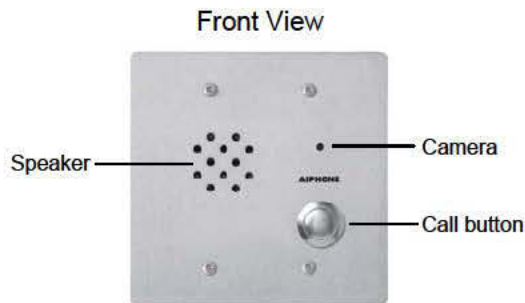
### Vandal Resistant Sub Station with built in Color pinhole camera for use with the AI-900 System

#### - INSTRUCTIONS -

The AI-SSV is a 2-gang stainless steel vandal proof and weather resistant sub station designed for use with the AI-900 system. It is constructed of 12 gauge stainless steel and has a stand alone camera built in. The unit either flush mounts into a 2-gang box, or surface mounts with the SBX-2G. Each unit includes a 12V DC power supply for the camera, tamper proof screws, and a tool for installation.

#### INSTALLATION:

1. For flush mounting, install sub station in standard 2-gang electrical box with minimum 2-1/2" depth.
2. For surface mounting, use the SBX-2G surface mount enclosure (sold separately).
3. **Only the 12V DC power supply included should be used to power the AI-SSV camera.**
4. **IMPORTANT!** These units are designed for use in normal weather conditions, and to allow drainage and evaporation of moisture that naturally gets into the unit. **Do not apply caulking or silicone sealant around the unit when installing, and do not use weather stripping around the perimeter of the box when mounting.** If sealing the unit is required, the bottom must remain unsealed. Sealing the unit will prevent or inhibit moisture from dissipating from inside the unit, which may cause corrosion or deterioration of the internal components over time.

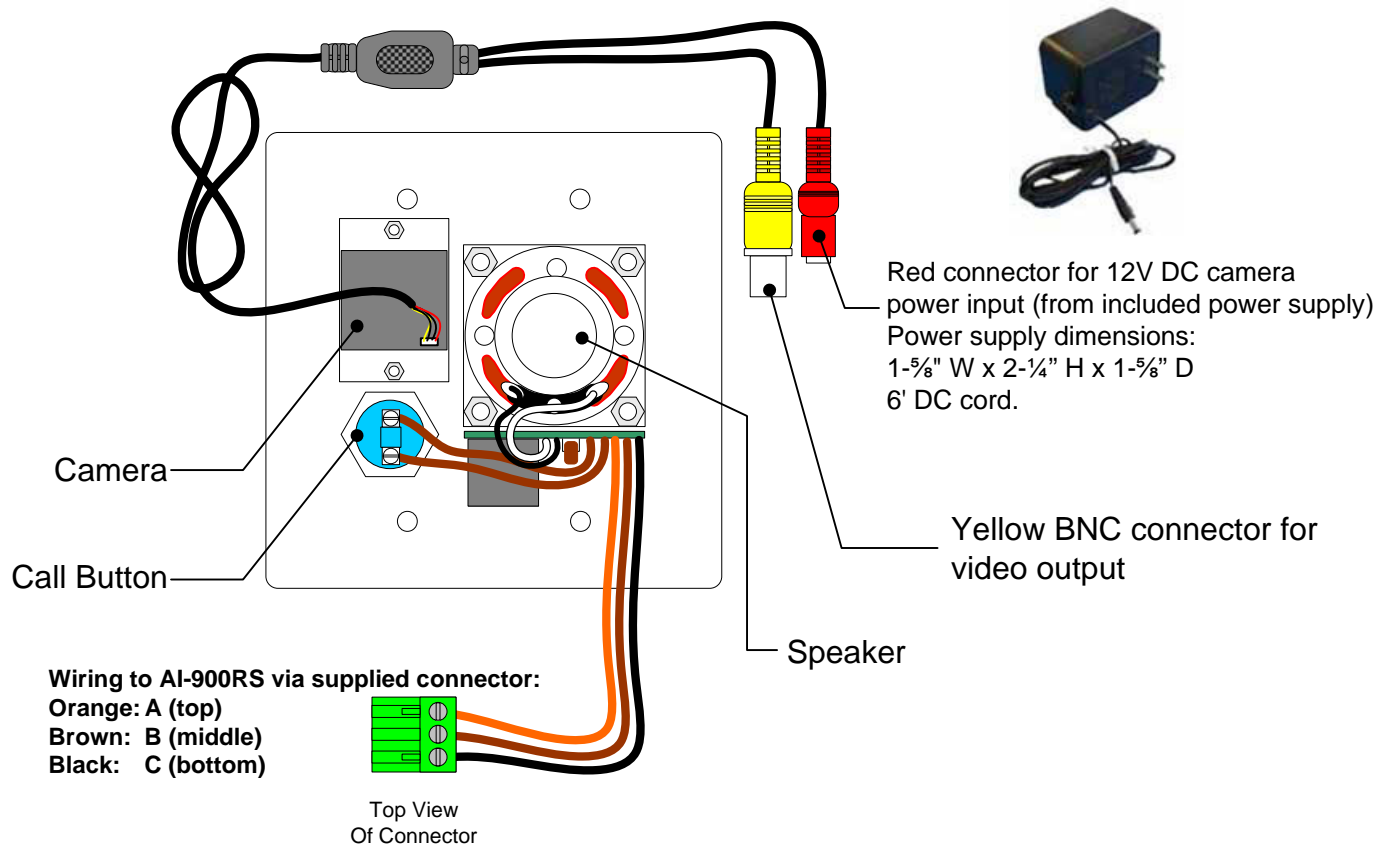


The view achieved if the subject is 20" from the camera is: 18" Vertically and 26 1/2" Horizontally



Transparent corner shadowing on the picture is normal.

## AI-SSV BACK VIEW & WIRING DIAGRAM:



### SPECIFICATIONS:

Audio Power Source:	Supplied by master station
Speaker:	625 ohms, 1W/25V, 2" diameter, water proof and puncture resistant, 2.4 oz. magnet
Call Button:	SPST call button, momentary activation. Limited stop button
Call Annunciation:	Call tone rings at master for duration set in programming of system.
Communication:	Hands free at sub. Master is push-to-talk, release-to-listen, or VOX via handset.
Video Output:	75 Ohm / 1Vp-p composite video
Iris Control:	Auto
Minimum Illumination:	1.0 lux
Effective Picture Element:	512x492 NTSC
Lens Mount	3.7mm Cone Pinhole Lens
Camera Power Source:	12V DC, 100mA (via included power supply)
MTBF:	(Mean Time Before Failure) 80,000 Hours
Faceplate:	12 gauge stainless steel
Mounting:	Flush mount into a 2-gang box (minimum 2-1/2" depth) or surface mount into SBX-2G (sold separately) Tamper proof screws included (6x32 for use with flush 2-gang box) with T-10 TORX bit When using SBX-2G, use the hardware included with that unit.
Terminations:	Color-coded pre-wired pigtails. Orange, Brown and Black wires connect to AI-900RS connector. Red connector = 12V DC power; Yellow connector = 75 Ohm / 1Vp-p video output (BNC).
Operating Temperature:	14°F ~ 140°F (-10°C ~ 60°C)
Audio Wiring:	2 conductors w/overall shield. Use Aiphone #822202 wire.
Audio Wiring Distance:	1650' (24AWG); 2650' (22AWG);
Video Wiring:	Independent BNC connection from sub station pigtail to destination video device.
Dimensions (H x W x D):	AI-SSV alone: 4-11/16" x 4-11/16" x 2" With SBX-2G: 4-3/4" x 4-7/8" x 3-5/8" (Top) 2-3/8" (Bottom)