

BA-1P

Paging Adaptor

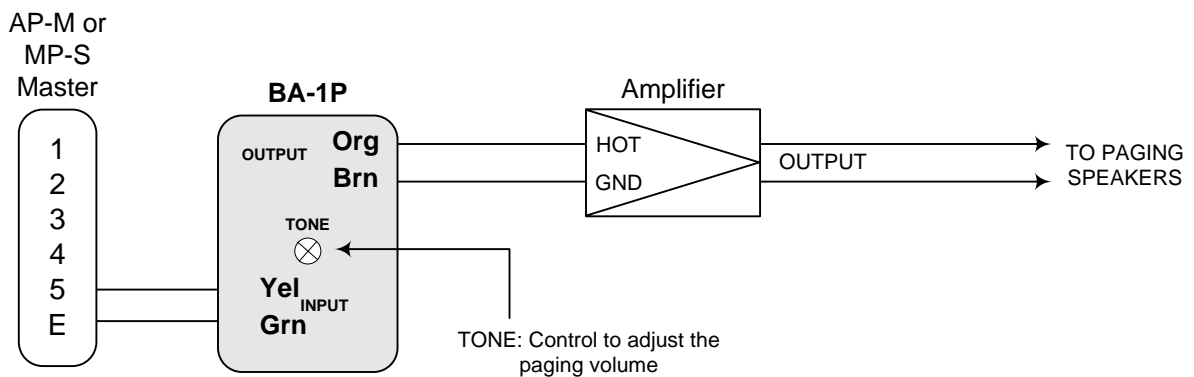
Use with:

AP-M or MP-S Series Systems

- INSTRUCTIONS -

The BA-1P Paging Adaptor allows paging to external speakers from the AP-M or MP-S series master stations. For each zone of paging, use a BA-1P with the appropriate sized amplifier. The BA-1P provides outgoing paging only. Talkback is not available.

WIRING DIAGRAM:



NOTES:

1. The above example shows station 5 accessing the paging zone. Any unused station can be used for a paging zone.
2. The colored wires at each end of the BA-1P are the Input and Output. Connect them to the intercom and amplifier as shown.
3. Only wiring concerning the BA-1P is shown here. For complete installation information see the system's instruction manual.
4. The TONE control is located on the top of the BA-1P, and requires a screwdriver for adjustment.

SPECIFICATIONS:

Power Source: Supplied by master
Input: 8 ohms
Output: 10K ohms
Amplifier input requirements: Aux input (10K ohms)
Dimensions: 4-1/8"H x 2-1/2"W x 1-1/2"D

BA-1P COLOR CODE DEFINITIONS:

Org: Hot side of output
(Connect to amplifier input)
Brn: Ground side of output
(Connect to amplifier input)
Yel: Hot side of BA-1 input
(Connect to station # on master)
Grn: Ground side of input
(Connect to "E" terminal on master)