

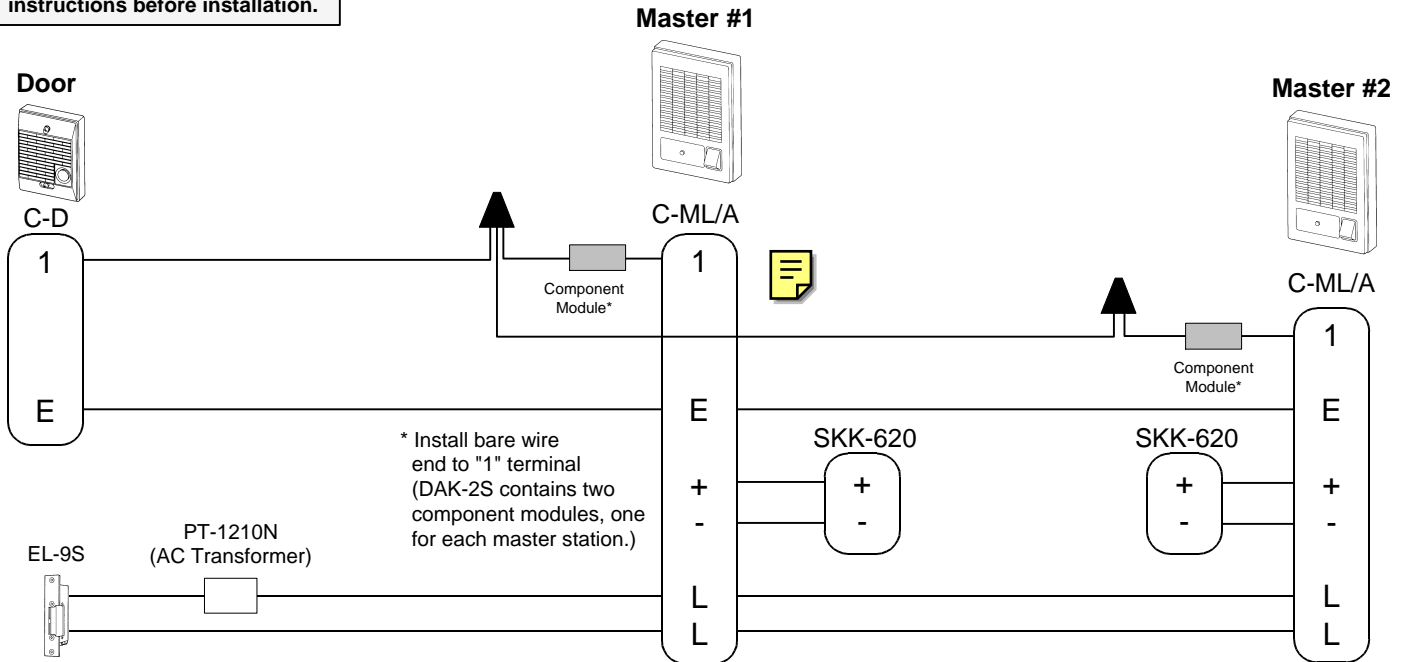
## C-123LW

### DUAL MASTER CHIME-COM SYSTEM

**Set contains: 1 C-D Door Station, 2 C-ML/A Masters & 1 DAK-2S Kit**

Please read and understand all instructions before installation.

#### - INSTRUCTIONS -



#### IMPORTANT!!!

Each master **REQUIRES** an SKK-620 power supply (or batteries).

#### OPERATION NOTES:

1. Only one master can be used at a time.
2. If both masters are activated, a feedback will be heard through the system when either TALK button is pressed.
3. If feedback occurs, wait approximately 15 seconds, or until the master turns off automatically. At that time, communication can continue normally.

#### INSTALLATION GUIDELINES:

1. Use 2 conductor wire from the door station to the first master, then to the second master.
2. Install the units at the desired locations.
3. Separate SKK-620 power supplies, or four "C" batteries are *required for each* master station.
4. DO NOT install both a power supply and batteries at any one master.
5. Install the bare wire leg of the component module directly onto the "1" terminal of the C-ML/A's.
6. Attach the wire coming from the "1" terminal of the C-D to the colored wire end of the component modules at both masters. (The component modules will easily fit within the space available.)
7. Connect the "E" terminals between the door station and master stations.
8. If door release is included, use a separate 2-conductor wire from the "L" terminals of the masters through an AC transformer and to the door strike.
9. The EL-9S is designed for a standard wood framed door, and for light and medium usage. If a different type of door is used, install a strike appropriate for the door.
10. The door release button on the master station is a "Normally Open" contact closure.

Aiphone Communication Systems  
1700 130th Ave. N.E.  
Bellevue, WA 98005  
(425) 455-0510  
FAX (425) 455-0071

**TOLL FREE TECHNICAL SUPPORT:**  
(800) 692-0200  
**TOLL FREE FAX LINE:**  
(800) 832-3765  
**TECHNICAL SUPPORT E-MAIL:**  
tech-serv@aiPHONE.com

C-123LW  
092898bkjd