

GF-MK

Concierge Station

DESCRIPTION:

The GF-MK is a concierge station for the GF Series multi-tenant system. The unit surface mounts to a single gang electrical box or may be desk mounted using an optional desk stand (GFW-S). The GF-MK features a 10-key keypad for calls to both tenant stations and entry panel(s) and a handset for private communication. The unit also has up/down buttons for name scrolling and a door release button for selective release.

The GF-MK has two calling modes, standard and emergency. When a standard call is placed, a normal call tone is heard and the calling unit's name and number are steady on the LCD screen. When an emergency call is placed, an urgent call tone is heard, the calling

station's name and number flash on the LCD screen intermittently with "EMERGENCY". A standard call is reset by hanging up the GF-MK handset, an emergency call must be reset at the tenant location.

The GF-MK can be manually programmed or programmed via PC using the supplied connector. Maximum two GF-MK can be connected per system.

The system has one talkpath. When the system is occupied a busy tone will be heard if another call is attempted.

GF-MK**IMPORTANT:**

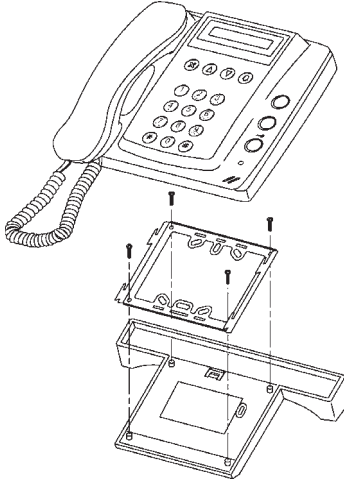
Use of the GF-MK requires the use of "K" type tenant stations (GF-1DK or GF-1MDK) and the GF-DA/B (type "B") audio module. If a name scrolling module is to be used at an entrance panel, the GF-NS/A (type "A") module must be used.

FEATURES:

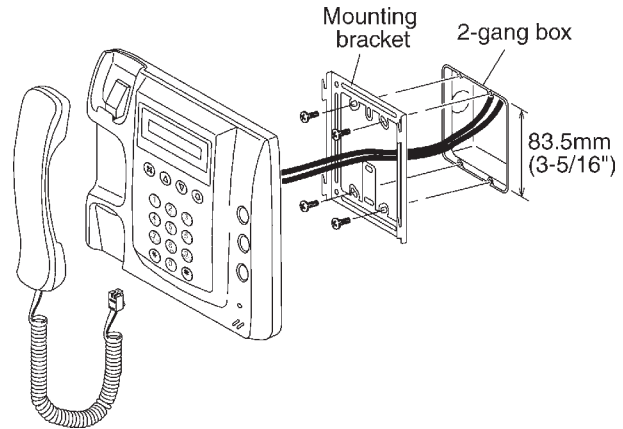
- Handset for private communication
- Standard and emergency calls
- Communicate to entry panels and tenants
- On talkpath per system
- Busy tone when system is occupied
- LCD displays calling unit name and number
- Wall mount to a one-gang box
- Desk mount using GFW-S
- Keypad or PC programmable
- PC Connecting
- Max two GF-MK per system.
- 10-key keypad for calling
- Door release
- Extra dry contact (optional)
- Call Tone Volume control
- Off-hook warning LED

MOUNTING & INSTALLATION:

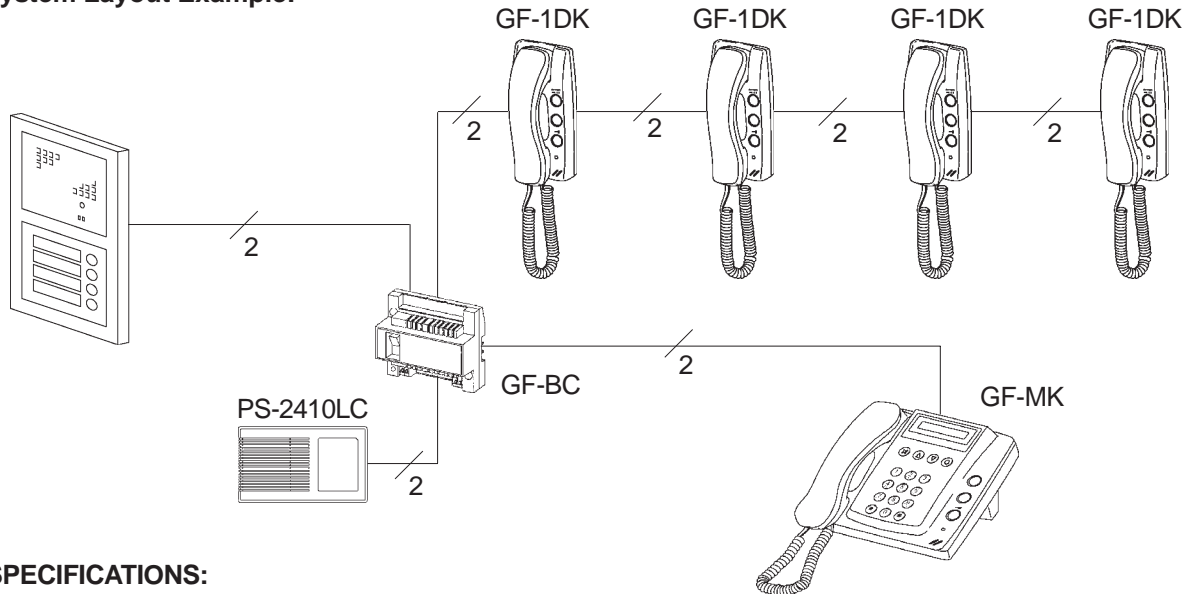
**Desk Mount GF-MK
(Using a GFW-S)**



**Wall Mount GF-MK
(To a one-gang box)**



System Layout Example:



SPECIFICATIONS:

Communication:	Hands free from entrance panel to concierge Handset from concierge to tenant
Calling:	Electronic ring tone from entrance panel or from standard tenant call Urgent ring for emergency call from tenant
Capacity:	Max. 2 Concierge stations per system Max. 250 stations per system Max. 2 tenants per unit Max. 5 entry panels per system
Wiring:	2-cond. common bus
Wiring Distance:	GF-BC to farthest Audio Only Entrance(s): 980' with 20 AWG GF-BC to farthest tenant: 980' with 20 AWG GF-VBC to Entrance Stn: 330' with 18 AWG GF-MK to GF-BC: 980' with 20 AWG Total wiring distance not to exceed 1.5 miles with 20 AWG (Use Aiphone #872002)
Talk Path:	Single channel with privacy
Power Requirements:	Supplied by GF-VBC
Dimensions:	8-1/4" x 8-1/2" x 2-3/4"