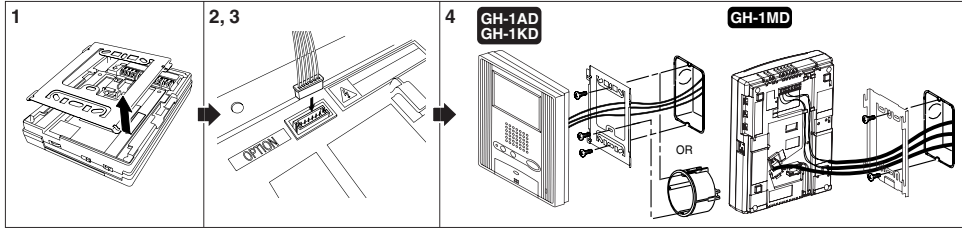


# GH OPTION CONNECTOR for Optional Functions

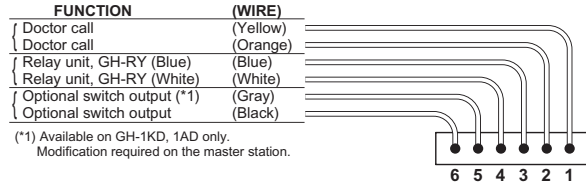
## MOUNTING INSTRUCTIONS

### ■ GH-1KD, GH-1AD, GH-1MD MOUNTING

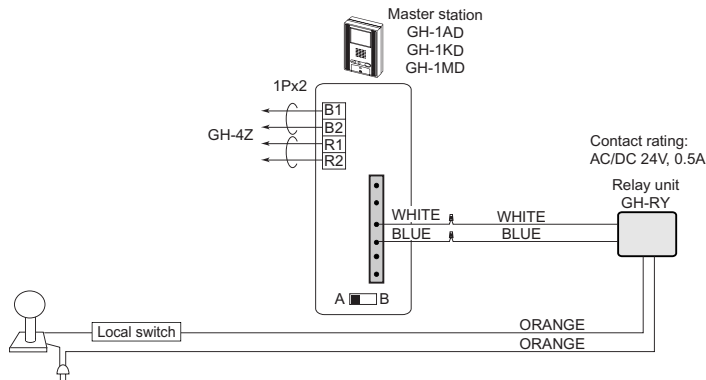
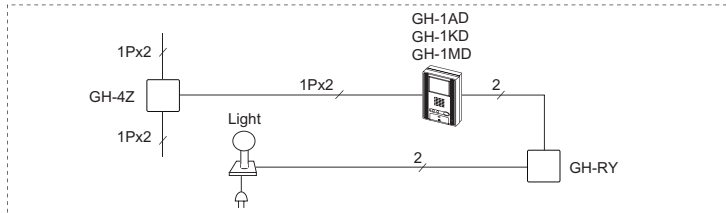
1. Take the mounting bracket off of the master station.
2. Plug the 6-pin connector into slot.
3. Connect the wires of the 6-pin connector to the auxiliary devices to be used (GH-RY, etc.).
4. Attach the mounting bracket to a box. Mount the master station on to the bracket.



FOR GH-1KD, GH-1AD, GH-1MD

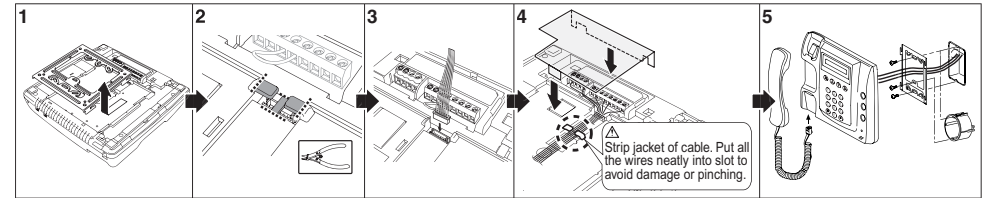


WIRING DAIGRAM for GH-1AD, GH-1KD, GH-1MD

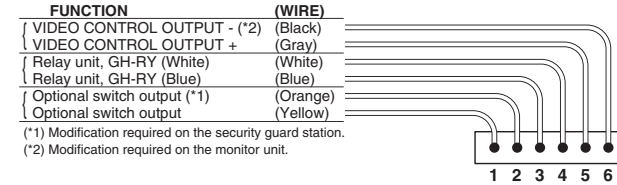


### ■ GH-MK MOUNTING

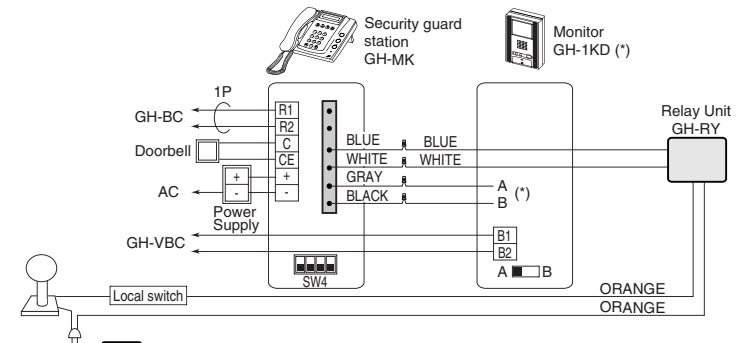
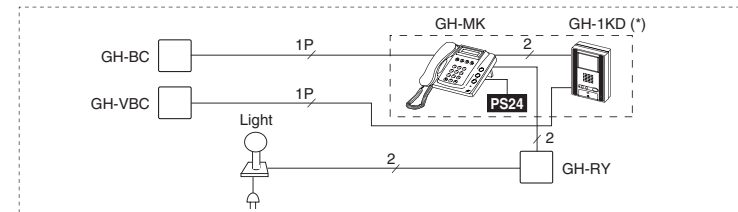
1. Take the mounting bracket and protection shield off of the security guard station.
2. Cut out the cable knock-out, as shown by the dotted lines.
3. Plug the 6-pin connector into slot.
4. Connect the wires of the 6-pin connector to the auxiliary devices to be used (GH-RY, etc.). After wiring, attach the protection shield.
5. Attach the mounting bracket to a box. Mount the security guard station on to the bracket.



For GH-MK



WIRING DIAGRAM for GH-MK



PS24 : PS-2410DIN, PS-2410LD, PS-2410LC (\*) Modifications required on the monitor unit.