

DOOR STATION

MODELS: **IB-DA** (w/plastic cover)
IB-NA (w/plastic cover)
IB-RA (w/brown metal cover)
IB-RAG (w/green metal cover)

— INSTRUCTIONS —

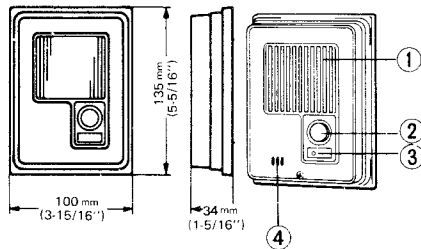
DESIGNED TO WORK WITH AIPHONE INTERCOM SYSTEMS:

- (1) **TB-F:** TB-3F, TB-6F, TB-12F (in conjunction with DB-U)
- (2) **TB-H:** TB-6H, TB-12H, TB-24H (in conjunction with DB-U)
- (3) **TB-T:** TB-10T, TB-20T (in conjunction with DB-TS)
- (4) **CHIME TONE INTERCOMS:** IBM-1AD & IBG-1GD (Not available in North America)
- (5) **TS-K:** TS-6K, TS-12K (in conjunction with DS-B)

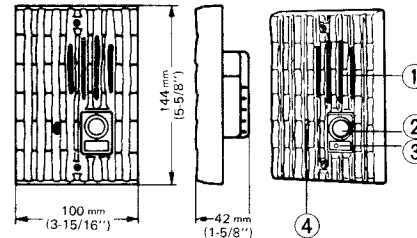
NAMES & FUNCTIONS

- ① Speaker ② Call button ③ LED (Light emitting diode) ④ Microphone

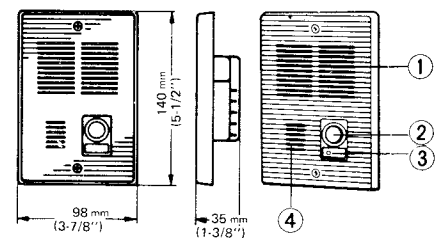
● IB-DA



● IB-RA, IB-RAG



● IB-NA



FEATURES AND SPECIFICATIONS

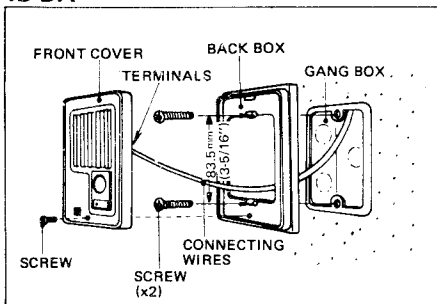
- * LED indicates door station location in the dark.
 - * Hands free communication at door station. Use of push-to-talk switch not required.
 - * **Wiring:** Single pair of wires from door station adaptor (or room station). Please refer to the wiring diagram for the system you install.
- Select the proper wire gauge to meet your requirements from the chart below;

SYSTEM	MAXIMUM DISTANCE FROM DOOR TO:	DIAMETER OF WIRE			AWG		
		0.5mm	0.65mm	0.8mm	24 AWG	22 AWG	20 AWG
TB-3F/6F/12F	DOOR STATION ADAPTOR: DB-U	90m	150m	230m	300'	500'	750'
TB-6H/12H/24H	DOOR STATION ADAPTOR: DB-U						
TB-10T/20T	DOOR STATION ADAPTOR: DB-TS						
IBM-1AD, IBG-1GD	ROOM STATION						
TS-6K/12K	DOOR STATION ADAPTOR: DS-B						

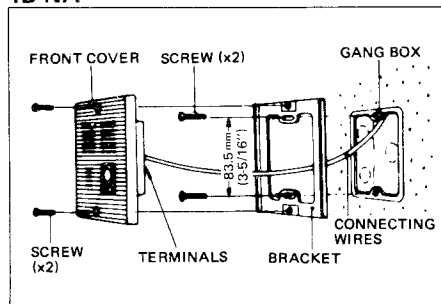
WALL MOUNTING INSTALLATION

- * Remove screws and separate back box from front cover.
- * Mount the back box (or bracket) to wall or gang box with supplied screws.
- * Wire two terminals and replace front cover to the back box.

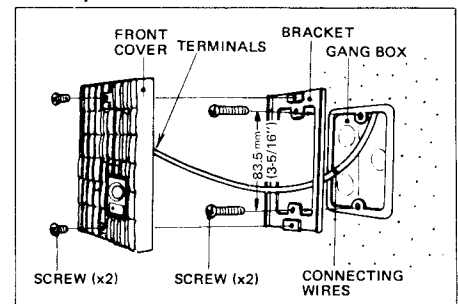
IB-DA



IB-NA



IB-RA, IB-RAG



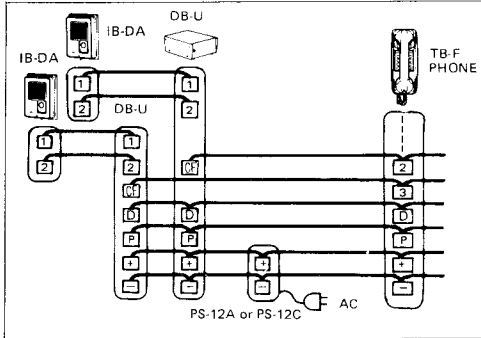
OPERATION

- * Calling from door station: Depress the call button to signal room station. Once room station replies, communication from door station is hands free.

INSTALLATION EXAMPLES

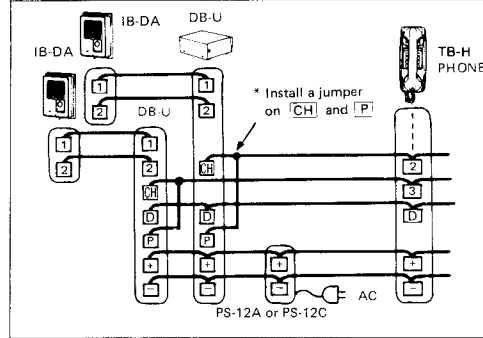
1) TB-F SYSTEM:

- * 2 door stations may be connected to up to 12 phones.
- * DB-U must be connected directly to PS-12A (or PS-12C).



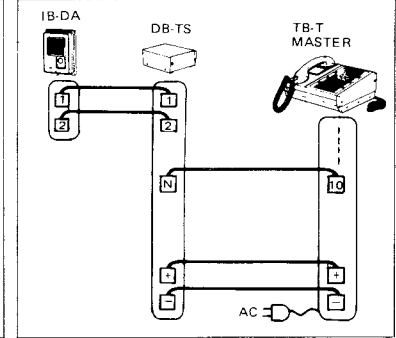
2) TB-H SYSTEM:

- * 2 door stations may be connected to up to 12 phones.
- * DB-U must be connected directly to PS-12A (or PS-12C).



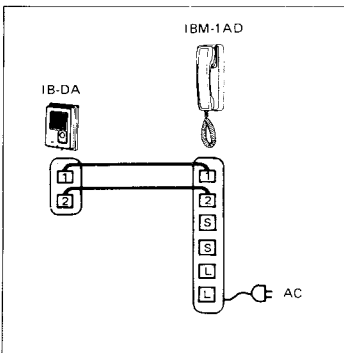
3) TB-T SYSTEM:

- * Any number of door stations can be connected TB-T master allows.
- * Connect **N** on DB-TS to any number terminal on TB-T.



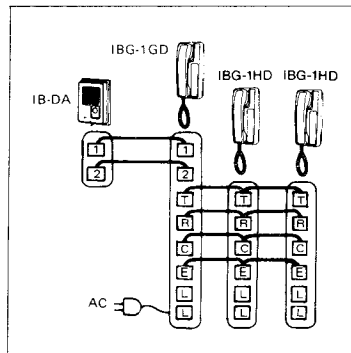
4) IBM-1AD SYSTEM:

- * One door station per system.



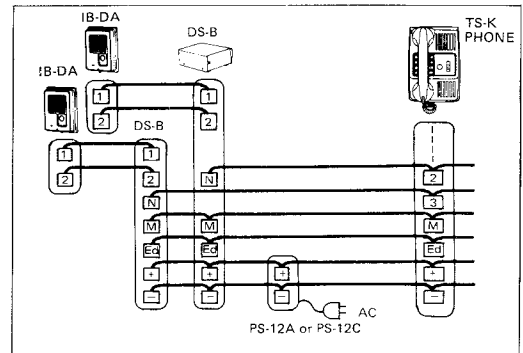
5) IBG-1GD SYSTEM:

- * One door station calls up to 3 room stations simultaneously.



6) TS-K SYSTEM:

- * 2 door stations may be connected to up to 4 masters.
- * DS-B must be connected directly to PS-12A (or PS-12C).



TO PREVENT ELECTRIC SHOCK

- * DO NOT CONNECT ANY TERMINAL ON ANY UNIT TO AC POWER LINES.
- * Do not pinch connecting wires in windows, doors or desks.

We at AIPHONE are proud of our products. Our designers and engineers strive to bring you the finest in communication equipment. Each item has been carefully tested and inspected before leaving our factory. Properly installed and used, your Aiphone intercom system should give years of trouble-free service.

We are pleased to offer the following warranty:

WARRANTY

Aiphone warrants its products to be free from defects of material and workmanship under normal use and service for a period of one year after delivery to the ultimate user and will repair free of charge or replace at no charge, should it become defective upon which examination shall disclose to be defective and under warranty. Aiphone reserves unto itself the sole right to make the final decision whether there is a defect in materials and or workmanship; and whether or not the product is within the warranty.

This warranty shall not apply to any Aiphone product which has been subject to misuse, neglect, accident, or to use in violation of instructions furnished, nor extended to units which have been repaired or altered outside of the factory.

This warranty does not cover batteries or damage caused by batteries used in connection with the product.

This warranty covers bench repairs only, and any repairs must be made at the shop or place designated in writing by Aiphone. Aiphone will not be responsible for any costs incurred involving on site service calls.

Aiphone Co., Ltd., Nagoya, Japan
Aiphone Corporation, Bellevue, Washington

IB-DI

ALL OVER THE WORLD **AIPHONE**®

PRINTED IN JAPAN (E)