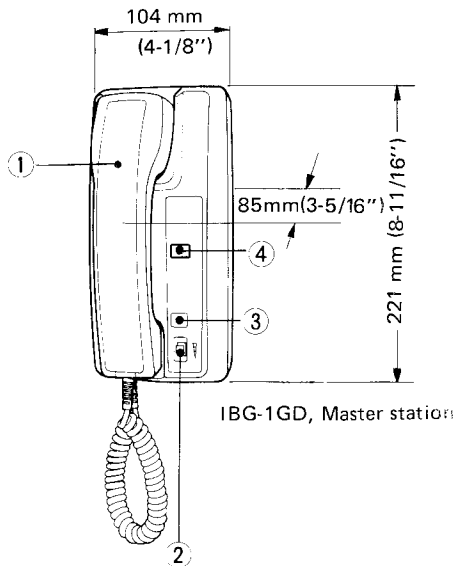


CHIME TONE INTERCOM

MODEL: IBG-1GD (Master station; DC-12V)

— INSTRUCTIONS —



NAMES AND FUNCTIONS

- ① Handset
- ② Chime volume control
- ③ Room station call button
- ④ Door release button

FEATURES AND SPECIFICATIONS

- * System may include up to three room stations and one door station.
- * Melodic two stroke chime with volume control.
- * Includes a button for door release.
- * Optional device for having chime tone announce a door call from other location than master or room sub station (One IBR-1/A installable per system).
- * Designed for either desk use or wall mounting.
- * Works also with MB-D·DA/MB-U video intercom system.
- * LED on door station indicates door station location in the dark.
- * Power source: DC-12V. Use a power supply adaptor of DC-12V, 200mA.
- * Wiring: Single pair of wires (non-polarized) from master to door station.
Four common wires between master and room sub stations.
Single pair of wires additionally required for electric door release.

COMPONENTS AVAILABLE FOR USE WITH YOUR CHIME INTERCOM SYSTEM



- IBG-1GD: Master station. Replies to door station and also allows calling and talking with up to two room subs.
- IBG-1HD: Room sub station. Replies to door station and also allows calling and talking with master and another room sub.
- EL-9S: Electric door release. Requires separate transformer.
- IBR-1/A: Chime extension device. Announces a call from door in a place remote from master and room subs.

FOUR DIFFERENT DOOR STATIONS ARE AVAILABLE: ALL WEATHER-RESISTANT TYPE

* Please select the most suitable one for your requirement.



IB-DA: With plastic cover (surface mount).



IB-NA: With plastic cover (semi-flush mount).

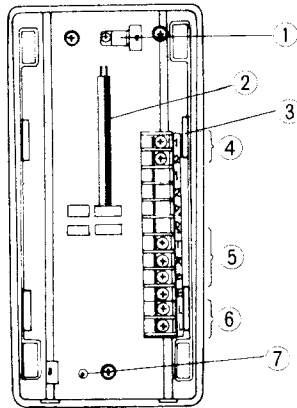


IC-RA: With brown metal cover (semi-flush mount).



IB-JA: With stainless steel cover (flush mount).

ACTUAL TERMINAL LOCATION



IBG-1GD BACK VIEW

- ① Cable clamp
- ② Wires for power supply
RED wire: Connect to Plus (+) wire of power supply adaptor.
BLACK wire: Connect to Minus (-) wire of power supply adaptor.
- ③ Hole for mounting bracket.
- ④ Terminals **1**, **2** : Connect to door station (non-polarized)
- ⑤ Terminals **T**, **R**, **C**, **E** : Connect to room station.
- ⑥ Terminals **L**, **L** : Connect electric door release
- ⑦ Cable clamp hole

WALL MOUNTING INSTALLATION

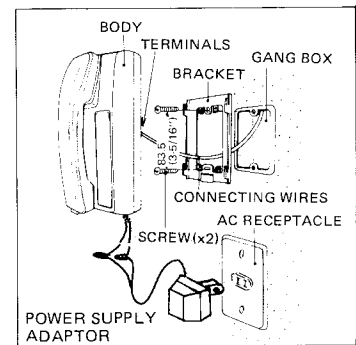
IBG-1GD & IBG-1HD

Attach the mounting bracket to wall or gang box. Insert the prongs of the bracket into the holes of the body and pull the body downward. Be careful not to attach the bracket upside down.

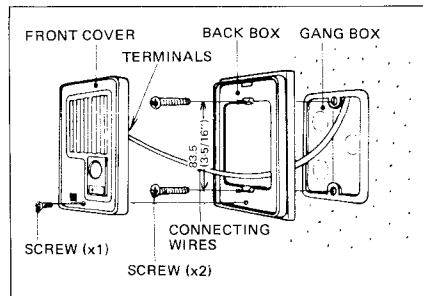
NOTE: Locate IBG-1GD master within convenient reach of AC receptacle –
IBG-1GD power supply wires length: About 18 cm (7-1/8")

IB-DA, IB-NA, IC-RA

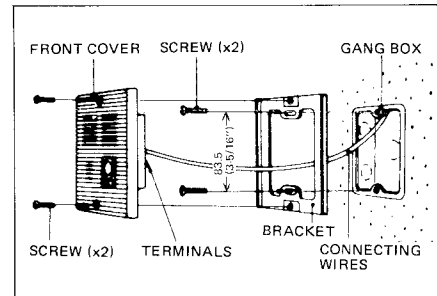
- * Remove screws and separate back box from front cover.
- * Mount the back box (or bracket) to wall or gang box with supplied screws.
- * Wire two terminals and replace front cover on the back box.



IB-DA



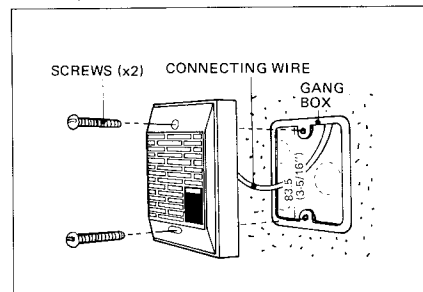
IB-NA



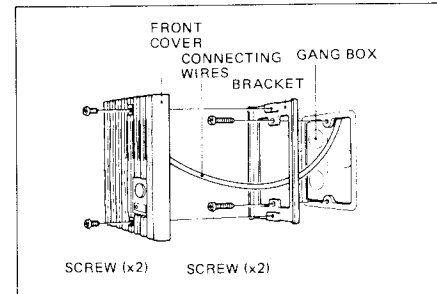
IBR-1/A

After wiring terminals, mount IBR-1/A to wall or gang box with supplied screws, as shown.

IBR-1/A



IC-RA



WIRING

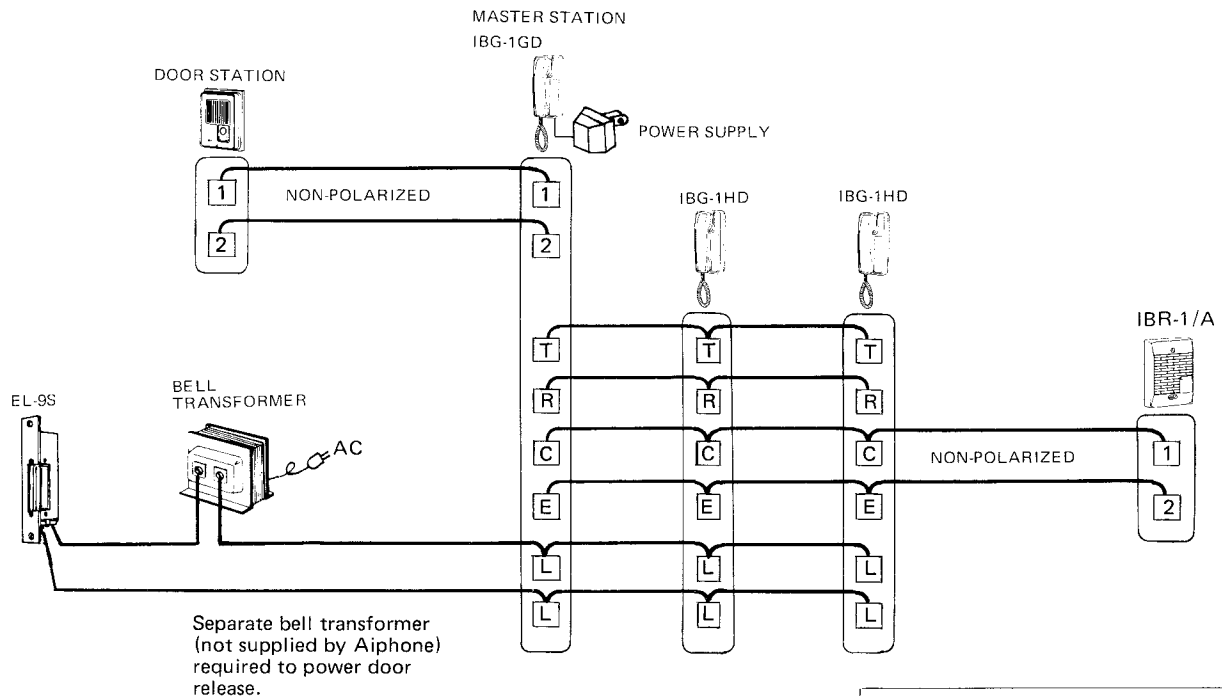
Lay out your system in advance. Determine the exact location of each station. Make a sketch showing the number of wires required from each station to other stations.

Refer to the chart below and select the proper wire gauge to meet your requirements.

Diameter of wire	0.5mm	0.65mm	0.8mm	24 AWG	22 AWG	20 AWG
Door station to IBG-1GD	90m	150m	230m	300'	450'	700'
IBG-1GD to IBG-1HD	45m	75m	115m	150'	230'	350'

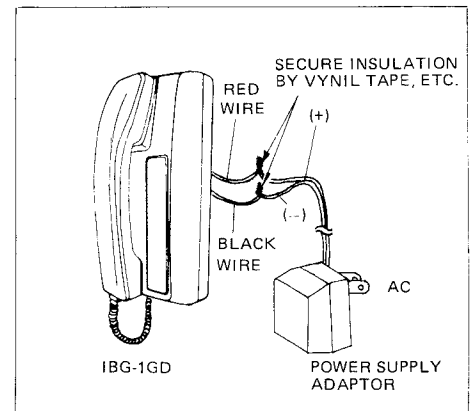
WIRING DIAGRAM

COMPLETE IBG-1GD SYSTEM



WIRING POWER SUPPLY ADAPTOR

- * Connect RED wire on back of IBG-1GD master to Plus (+) wire of power supply adaptor.
- * Connect BLACK wire on IBG-1GD to Minus (-) wire of power supply adaptor.
- * Secure insulation at the junction part by vinyl tape, etc., otherwise power supply adaptor will be damaged.



WIRING DOOR RELEASE EL-9S

- * Separate bell transformer (AC 12V, 0.2A or more) is required to power EL-9S door release.
- * Wiring for door release should be SEPARATED from wiring for communication (DO NOT RUN THEM IN THE SAME CONDUIT).
- * Attach two wires from terminals [L], [L] on room station to EL-9S as shown.

NOTE: Your IBG-1GD chime intercom will operate other brands of door releases. It is recommended they do not exceed 50V, 1A.

INSTALLATION OF OPTIONAL EXTENSION CHIME: IBR-1/A

Aiphone offers IBR-1/A optional device for signaling chime call from door to a place remote from room station. A reply from IBR-1/A can not be made.

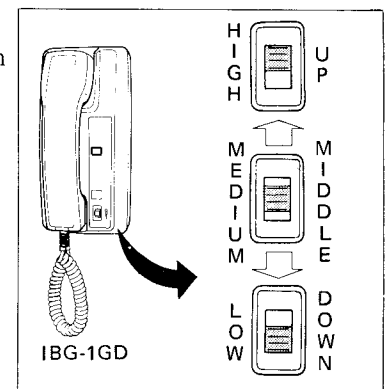
- * Wiring: Attach two wires from terminals [C], [E] on either IBG-1GD or IBG-1HD room station to IBR-1/A call extension.

NOTE: One IBR-1/A may be used per system.

ADJUSTING CHIME CALL TONE VOLUME

Chime call tone volume may be adjusted to three levels by setting switch as desired.

NOTE: The volume switch also adjusts room station call tone at the same time, while the chime call tone at IBR-1/A remains unchanged.



ROOM STATION IBG-1GD & IBG-1HD OPERATIONS

* Placing a call to another room station;

Pick up handset and depress the call button. If your chime intercom includes three room stations (One IBG-1GD & two IBG-1HD), a call from one station will be announced at the other two stations. It is recommended to select separate call signal for each room, for example, -- to call room #1, ---- to call room #2, --- to call room #3.

NOTE: (1) If door station calls during conversation between room stations, chime will sound only at the room station not occupied and (if installed) at IBR-1/A extension device. The two occupied stations will hear the incoming call thru handset.

(2) When a communication is heard upon your picking up handset, do not depress room call button, which will cut off the communication with door station.

* Receiving a call from door station;

A call is announced by chime at all room stations. Pick up handset at convenient location and communicate with door station.

If you wish to transfer a call to other room, momentarily depress the room call button (as indicated above), which automatically cuts off door station. When you hang up handset, the room station called automatically connects to door station. When the called station is not available, momentarily hang up handset to resume conversation with door station. EL-9S door lock may be released by depressing and holding the door release button on room station unit.

DOOR STATION CALLING OPERATION

Momentarily depress the call button. Talk and listen hands free to room station. Conversation will not be interrupted even if you push the call button.

TO PREVENT ELECTRIC SHOCK:

- * DO NOT CONNECT ANY TERMINAL ON ANY UNIT TO AC POWER LINES.
- * When you mount IBG-1GD in place of existing bell or chimes, be sure to disconnect wires from present transformer.
- * BE SURE TO REMOVE PLUG OF POWER SUPPLY FROM POWER OUTLET BEFORE YOU OPEN THE UNIT, OR MAKE WIRING CONNECTIONS.
- * Do not pinch connecting wires in windows, doors or desks.
- * IBG-1GD equipment must be installed in as dry and dust-free environment as possible.

CLEANING YOUR INTERCOM STATIONS:

- * Your Aiphone intercom stations may be cleaned with a soft cloth dampened with household cleanser, such Mr. Clean or Fantastik.

* * *

We at AIPHONE are proud of our products. Our designers and engineers strive to bring you the finest in communication equipment. Each item has been carefully tested and inspected before leaving our factory. Properly installed and used, your Aiphone intercom system should give years of trouble-free service.

We are pleased to offer the following warranty:

WARRANTY

Aiphone warrants its products to be free from defects of material and workmanship under normal use and service for a period of one year after delivery to the ultimate user and will repair free of charge or replace at no charge, should it become defective upon which examination shall disclose to be defective and under warranty. Aiphone reserves unto itself the sole right to make the final decision whether there is a defect in materials and/or workmanship; and whether or not the product is within the warranty.

This warranty shall not apply to any Aiphone product which has been subject to misuse, neglect, accident, or to use in violation of instructions furnished, nor extended to units which have been repaired or altered outside of the factory.

This warranty does not cover batteries or damage caused by batteries used in connection with the product.

This warranty covers bench repairs only, and any repairs must be made at the shop or place designated in writing by Aiphone. Aiphone will not be responsible for any costs incurred involving on site service calls.