

# JB-DVF-HID-I

Vandal Resistant Color Video Door Station  
With Built in HID *iClass*™ Smart Card Reader

## - INSTRUCTIONS-

The JB-DVF-HID-I is a JB-series color video door station and an HID *iClass*™ Card Reader, built onto the same stainless steel faceplate. The card reader provides electronic access to a building through a separate Access Control System, which is not supplied by Aiphone.

### INSTALLATION:

1. For flush mounting, cut hole in wall and use supplied back box.  
Box dimensions are 4-½"W x 10-¾"H x 1-¾"D.
2. For surface mounting, use the SBX-DVF-P surface mount box.  
This box can mount to a standard 1-gang box or to any flat surface.

JB-DVF-HID-I  
(front view)



JB-DVF-HID-I  
(back view)



### Connecting the Reader to the Host:

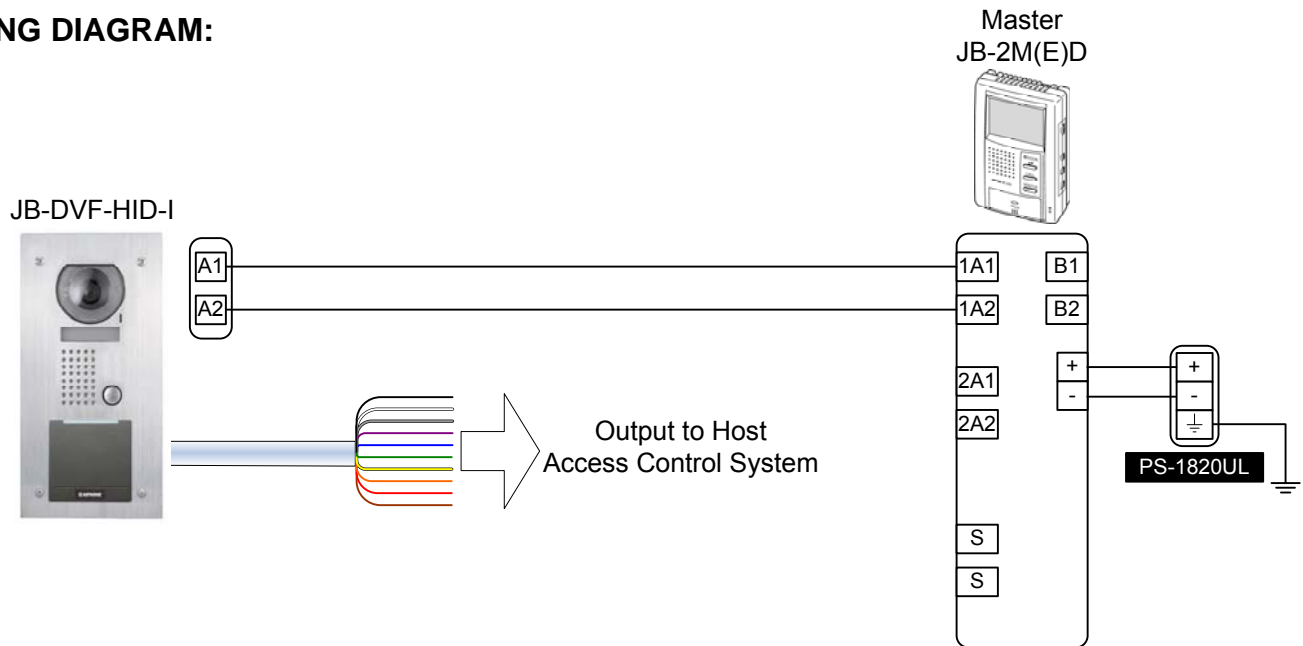
Connect the reader to the host according to the wiring table below and the host installation guide.

Wiegand	Wire Color
+ DC (10-16V)	Red
Ground	Black
Data0	Green
Data1	White
Shield Ground	Drain
Green LED	Orange
Red LED	Brown
Beeper	Yellow
Hold	Blue
---	Violet

← 20" pigtail cable



## WIRING DIAGRAM:



## TESTING AND OPERATION:

- When power is applied to the *iClass*<sup>TM</sup> reader, the LED will turn RED while the beeper beeps simultaneously 3 times. (The last tone is a higher frequency). The LED will then flash once after the last tone. This indicates that the microcontroller is operating properly.
- Present an *iClass* ID card to the reader (Hold the card directly in front of reader). The LED will momentarily turn green while the beeper beeps once, indicating that the card was read successfully.

## SPECIFICATIONS:

### CARD READER:

Power Source: 10 ~ 16 VDC / 65 ~ 225mA  
 Current Requirements: 80mA (Avg); 300mA (peak) at 12V  
 Transmit Frequency: 13.56 MHz  
 Terminations: Color-coded pre-wired pigtails  
 Wiring Distance: 500'  
 Operating Temperature: -10° ~ 60° C / 14° ~ 140° F  
 Operating Humidity: 5% to 95% relative humidity non-condensing

### CAMERA:

Camera unit: CCD Camera  
 Scanning line: 525 lines  
 Min. illumination: 1 Lux or less at 1'  
 Terminations: Screw terminals  
 Wiring Distance: 330' w/871802 wire  
 980' w/JBW-BA & 851602 wire  
 Dimensions (camera): 5-3/4" W x 11-5/8" H x 1-5/16" D  
 With SBX-DVF-P: 5-15/16" W x 11-3/4" H x 2-13/16" D (Top)  
 1-15/16" D (Bottom)

### FCC WARNING:

This device complies with Part 15 of the FCC rules.

Operation is subject to the following two conditions:

- (1) This device may not cause harmful interference.
- (2) This device must accept any interference that may cause undesired operation.
  - For proper regulatory compliance, the drain wire should be disconnected at the power supply end of the cable.
  - Changes or modifications not expressly approved by the party responsible for compliance could void the user's authority to operate the equipment.
  - The Reader is intended to be powered from a limited power source output of a previously certified power supply.

Aiphone Communication Systems  
 1700 130th Ave. N.E.  
 Bellevue, WA 98005  
 (425) 455-0510  
 FAX (425) 455-0071

**TOLL FREE TECHNICAL SUPPORT:** (800) 692-0200  
 TOLL FREE FAX LINE: (800) 832-3765  
 E-MAIL: tech-serv@aiphone.com

Page 2  
 JB-DVF-HID-I Instr.  
 0706JDJS