

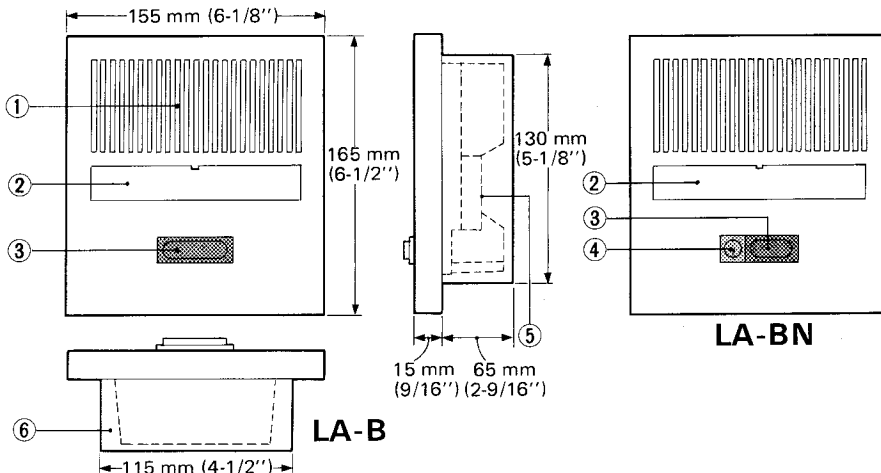
HOME INTERCOM SUB STATION

MODELS:

LA-B
LA-BN

1-call, semi-flush mount
-do-, privacy type

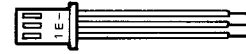
INSTALLATION MANUAL



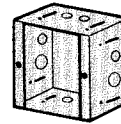
ACCESSORIES INCLUDED



WOOD SCREW (x2)
(4.1 x 22 ±)



— BLACK
E BLUE
1 BROWN



MOUNTING
BACK BOX
(Model: BBX-3)



SCREW (x2)
(4 x 25 ±)

*Must be ordered separately.

1 NAMES AND FUNCTIONS

- | | | |
|-----------|------------------|----------------------------------------|
| ① Speaker | ③ CALL button | ⑤ 3-pin connector (for station wiring) |
| ② Panel | ④ PRIVACY button | ⑥ Mounting back box (Model: BBX-3) |

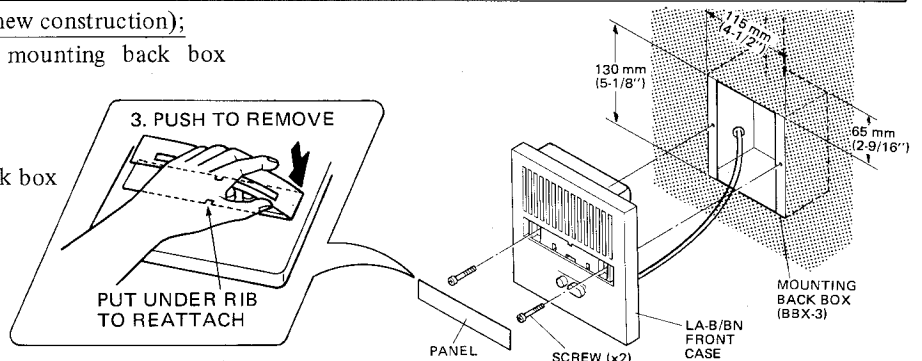
2 DESCRIPTION AND PRECAUTIONS

- LA-B and LA-BN are 1-call sub stations, semi-flush mountable and used for your LAF-B Home Intercom System: LAF-10B (Type A), LAF-7B, LAF-3B, LAF-1B and existing LAF stations. When used for LAM-1/3 system, E and — connectors must be united.
- Installation; Do not connect LA-B/BN sub to more than 2 master stations.
- Operation; Simply depress CALL button to signal a master (and PRIVACY button pops up on LA-BN). After master replies, talk handsfree. **DO NOT PRESS CALL BUTTON DURING COMMUNICATION.** After communication, depress PRIVACY button again on LA-BN. Incoming call from master is announced by electronic tone or voice. Just reply handsfree (on LA-BN, after momentarily depressing CALL button).
- Before you install and operate the equipment, read and observe carefully Instructions stated in the Installation/Operation Manuals packed with each LAF-B master unit.

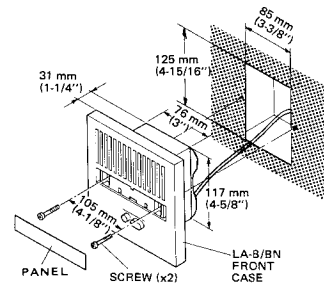
3 INSTALLATION

(1) Semi-flush mounting to wall (in new construction);

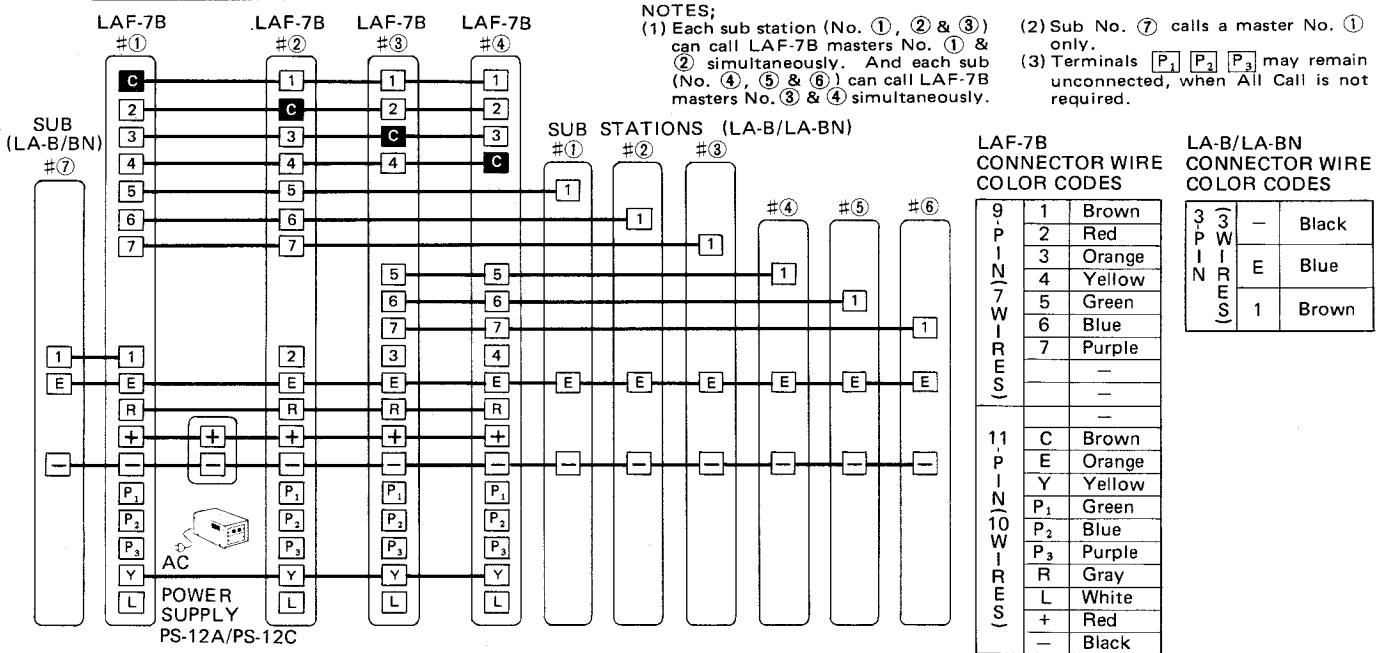
- For new construction, use a mounting back box (Model: BBX-3).
- Install the back box in the wall.
- Remove a panel on front case.
- Mount LA-B/BN unit to the back box with two screws (supplied).
- Reattach the panel.



- (2) Semi-flush mounting to an existing wall;
 1. To install LA-B/BN unit to an existing wall, cut and open a hole of H: 125 mm (4-15/16") x W: 85 mm (3-3/8").
 2. Remove a panel on front case.
 3. Mount LA-B/BN unit to wall with two screws (supplied) or board fastener, etc.
 4. Reattach the panel.



4 WIRING EXAMPLE



5 SPECIFICATIONS

- *Power source: DC 12V. Supplied from LAF-B master.
- *Communication: Handsfree alternate communication controlled by master.
- *Calling: Electronic tone or Voice direct when called by master.
- *Wiring: 3 wires from a connected master (I, E, —).
- *Wiring distance: Between two farthest master and sub stations;

AWG	24 AWG	22 AWG	20 AWG
Distance	400'	650'	1,000'

Diameter	0.5 mm	0.65 mm	0.8 mm
Distance	120 m	200 m	300 m

- *Dimensions: H : 165 mm x W : 155 mm x D : 15 mm (H : 6-1/2" x W : 6-1/8" x D : 9/16")
 Recessed: H : 117 mm x W : 76 mm x D : 31 mm (H : 4-5/8" x W : 3" x D : 1-1/4")
- *Weight: Approximately 220 g (0.49 lbs.).

WARRANTY

Aiphone warrants its products to be free from defects of material and workmanship under normal use and service for a period of one year after delivery to the ultimate user and will repair free of charge or replace at no charge, should it become defective upon which examination shall disclose to be defective and under warranty. Aiphone reserves unto itself the sole right to make the final decision whether there is a defect in materials and/or workmanship; and whether or not the product is within the warranty.

This warranty shall not apply to any Aiphone product which has been subject to misuse, neglect, accident, or to use in violation of instructions furnished, nor extended to units which have been repaired or altered outside of the factory.

This warranty does not cover batteries or damage caused by batteries used in connection with the product.

This warranty covers bench repairs only, and any repairs must be made at the shop or place designated in writing by Aiphone. Aiphone will not be responsible for any costs incurred involving on site service calls.