

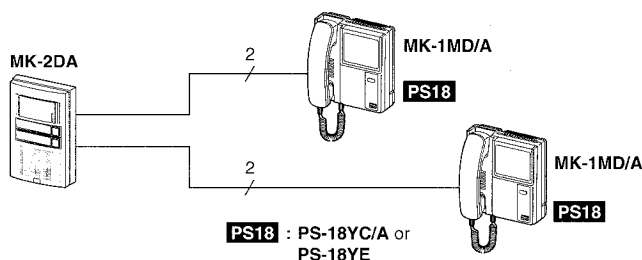
MK Series 2-CALL VIDEO DOOR STATION

Model: **MK-2DA**

INSTALLATION & OPERATION MANUAL

1 SYSTEM OUTLINE & COMPONENTS

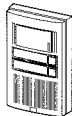
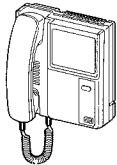

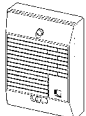

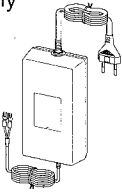
MK-2DA is a 2-call video door station for use with MK-1MD/A monitor stations.



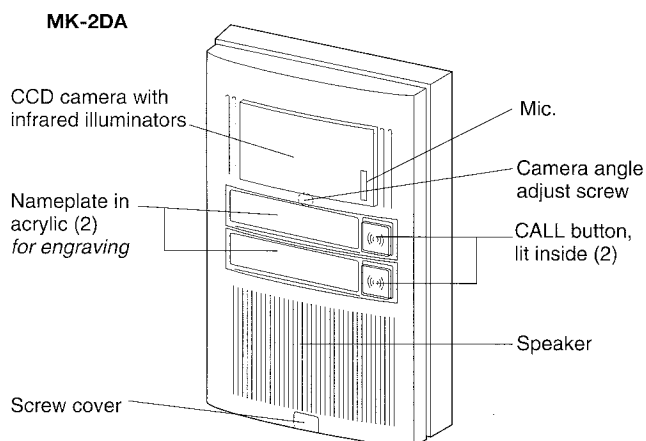
■ Package contents

- 2-call video door station **MK-2DA**
- Packet of screws
- Installation & Operation Manual

■ Station models available

<ul style="list-style-type: none"> • 2-call  <p>MK-2DA Surface mount</p>	<ul style="list-style-type: none"> • Inside stations  <p>MK-1MD/A Audio/monitor station (also as 2nd station)</p>  <p>MK-1SD/A Sub audio station</p>	<ul style="list-style-type: none"> • Call extension  <p>IER-2 Chime tone only</p>	<ul style="list-style-type: none"> • Door release  <p>EL-9S AC 12V, 0.35A, powered by AC trans. PT-1210N in USA.</p>	<ul style="list-style-type: none"> • Power supply (for each MK-1MD/A)  <p>PS-18YC/A, 120V AC, 50/60Hz. PS-18YE, 220-240V AC, 50/60Hz. DC 18V, 1.2A.</p>
--	---	---	---	--

2 NAMES & FEATURES



■ FEATURES

- 2-call buttons, self lit.
- Wide-angle vision
- Infrared CCD camera for clear viewing in the dark
- Acrylic nameplate for engraving
- 1-gang surface-mounting
- Max. 100m, 330' distance
- Camera angle adjusting screw

3 INSTALLATION

System configuration

1. MK-2DA can be used with MK series only. It cannot be used with MY PanTilt Series: MY-1CD, etc.
2. Each MK-1MD/A monitor is powered by a separate PS-18YC/A or PS-18YE power supply (specified by Aiphone).

Mounting

MK-2DA employs CCD camera and the performance can be affected by bright direct light, such as strong sunlight, gate light, or street or porch light coming directly into the camera lens.

Cable requirements

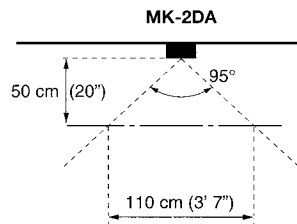
- Use a parallel conductor cable to each inside monitor station. Coaxial cable should not be used.
- When existing chime wires are used, it is possible that the wires may contain high voltage current. Locate and remove the bell transformer before actually connecting MK-2DA.
- Extra pair(s) in the installed cable can affect image quality, and must be terminated with a 120 Ω resistor at each end on both MK-2DA and MK-1MD/A.

When camera height is too low

MK-2DA is equipped with a camera-angle adjuster on front side beneath camera section. Using a standard screwdriver, rotate the screw clockwise 2-1/2 times, and the camera will turn upward by 16°.

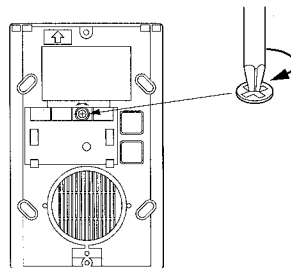
Image viewing area

- When camera is positioned horizontally;



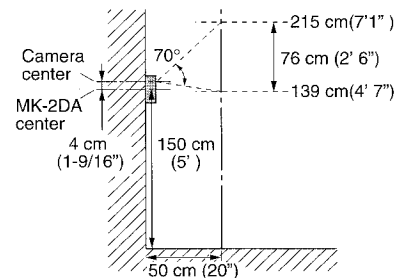
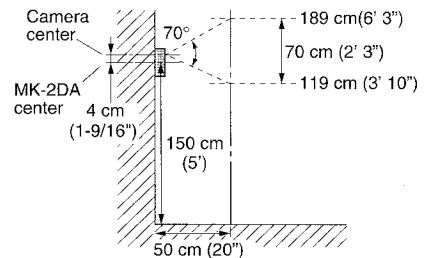
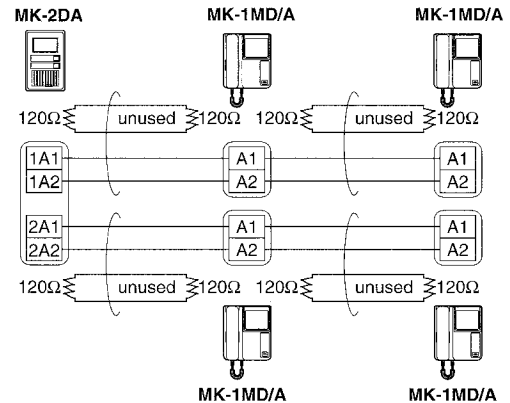
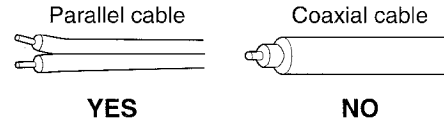
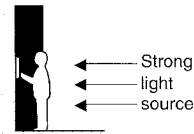
- When camera angle is adjusted upward;

Turn clockwise 2-1/2 times.
Camera angle moves up 16°.

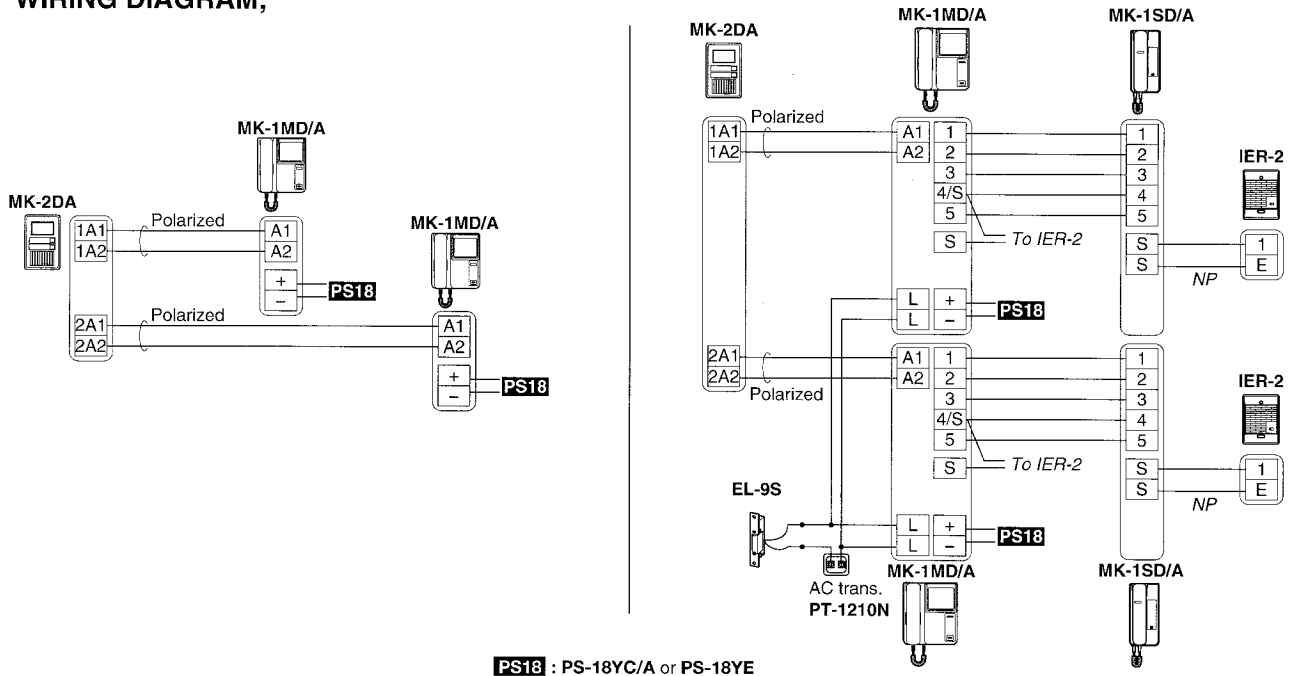


MK-2DA INSIDE VIEW

MK-2DA



■ WIRING DIAGRAM;



PS18 : PS-18YC/A or PS-18YE

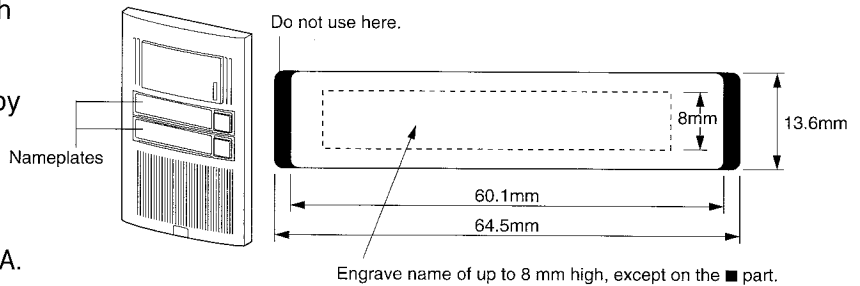
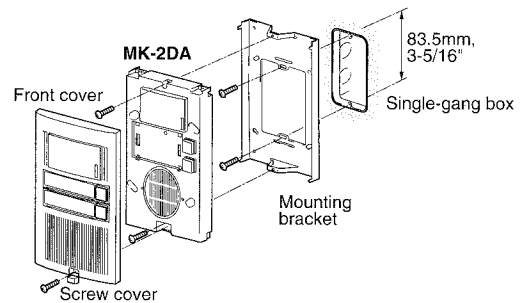
4 MOUNTING

1. Remove the screw cover at bottom, pull and slide down.
2. Unscrew to separate front cover from MK-2DA.
3. Loosen 2 screws and separate the mounting bracket from MK-2DA.
4. Attach the bracket to 1-gang box or to wall.
5. Terminate 2 paired wires observing polarity.
6. Mount MK-2DA to the bracket.
7. Tighten the screw and replace the screw cover.

• Filling in names

Remove front cover. Press on each nameplate from the front, and it unlocks. The nameplates provided are acrylic. Identify each resident by having the nameplate engraved, or putting a waterproof label on the nameplate.

Note: Do not use solvent or harsh cleaner on the surface of MK-2DA.



5 OPERATIONS

■ Calling an MK-1MD/A station

Press CALL button of the resident you wish call. Inside monitor turns on, and 4-tone chime is heard. After inside station replies, talk handsfree.

- Do not press the other CALL button during communication, or your communication will be cut off.

■ Monitoring audio & video of MK-2DA

At either MK-1MD/A station, press MONITOR button.

Both audio & video of MK-2DA will turn on. At the other MK-1MD/A station, MONITOR button will not be operational.

- Monitor and audio automatically turn off in 2-1/2 minutes.
Press MONITOR button to extend.

■ Monitoring with handset

Lift either MK-1MD/A handset, and MK-2DA camera turns on, with audio communication. The other MK-1MD/A will not be operational while one is in use.

6 TECHNICAL PRECAUTIONS

- **Mounting location**
MK-2DA is weather-resistant, but for best results it should be protected from direct weather conditions.
- **Operating temperature**
MK-2DA is rated to operate at temperatures between -10°C and 60°C (14°F and 140°F). When the outside temperature lowers rapidly, the camera lens may fog up slightly, causing blurry picture at the inside monitor. The openings will allow the moisture to dissipate, and the picture will return to normal.
- **Poor lighting conditions**
MK-2DA's infrared illumination will light the image of the caller when positioned within 50cm, 20" in front of the camera, and will see in near darkness (1 Lux of light).
- **The openings at bottom of MK-2DA will help rain to drain out and dissipate.**
Do not apply caulking seals around MK-2DA front cover panel.
- **Cleaning**
Clean MK-2DA with a soft cloth dampened with neutral household cleanser. Do not use any abrasive cleaner or cloth. Do not spray high-pressure water on MK-2DA.

7 SPECIFICATIONS (MK-2DA)

- Power source: Supplied by MK-1MD/A monitor in use.
- Camera unit: CCD camera with infrared LED's.
- Scanning lines: 525 lines.
- Image viewing area: 70° vertically, 95° horizontally.
70cm V x 110cm H at 50cm distance
(2'3" V x 3'7" H at 20" distance)
- Minimum illumination: 1 Lux at 50cm, 20" from camera.
- Wiring: 2 wires parallel, non-twisted per MK-1MD/A.
- Wiring distance: MK-2DA to MK-1MD/A

0.65mm ϕ	1.0mm ϕ	22AWG	18AWG
50m	100m	165'	330'

- Dimensions: 189 H x 119 W x 35 D (mm).
7-7/16"H x 4-11/16"W x 1-3/8"D.
- Weight: 460g(1.02 lbs.) approx.

This equipment has been tested and found to comply with the limits for a Class B digital device, pursuant to Part 15 of the FCC Rules. These limits are designed to provide reasonable protection against harmful interference in a residential installation. This equipment generates, uses, and can radiate radio frequency energy and, if not installed and used in accordance with the instructions, may cause harmful interference to radio communications. However, there is no guarantee that interference will not occur in a particular installation. If this equipment does cause harmful interference to radio or television reception, which can be determined by turning the equipment off and on, the user is encouraged to try to correct the interference by one or more of the following measures:

- Reorient or relocate the receiving antenna.
- Connect the equipment into an outlet on a circuit different from that to which the receiver is connected.
- Increase the separation between the equipment and receiver.
- Consult the dealer or an experienced radio/TV technician for help.

WARRANTY

Aiphone warrants its products to be free from defects of material and workmanship under normal use and service for a period of one year after delivery to the ultimate user and will repair free of charge or replace at no charge, should it become defective upon which examination shall disclose to be defective and under warranty. Aiphone reserves unto itself the sole right to make the final decision whether there is a defect in materials and/or workmanship; and whether or not the product is within the warranty.

This warranty shall not apply to any Aiphone product which has been subject to misuse, neglect, accident, or to use in violation of instructions furnished, nor extended to units which have been repaired or altered outside of the factory. This warranty does not cover batteries or damage caused by batteries used in connection with the product.

This warranty covers bench repairs only, and any repairs must be made at the shop or place designated in writing by Aiphone.

Aiphone will not be responsible for any costs incurred involving on site service calls.