

SYSTEM/MODEL: MK

MODIFICATION: External signaling for the MK system

DIFFICULTY LEVEL: 2 - Easy/moderate - Component connection to external points.

COMPONENTS REQUIRED:

1. TAR-3: External signaling relay.
2. SKK-620: 6V DC, 200 mA power source.
3. External signaling device and its own power source.
(Not supplied by Aiphone)

INSTR/OPERATIONS:

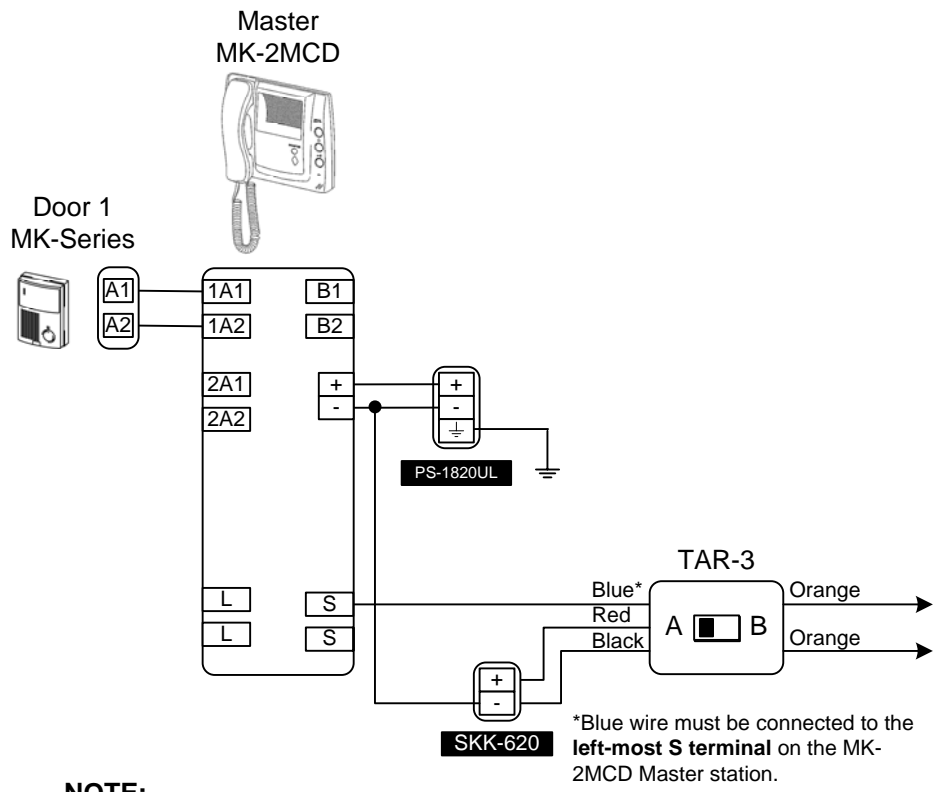
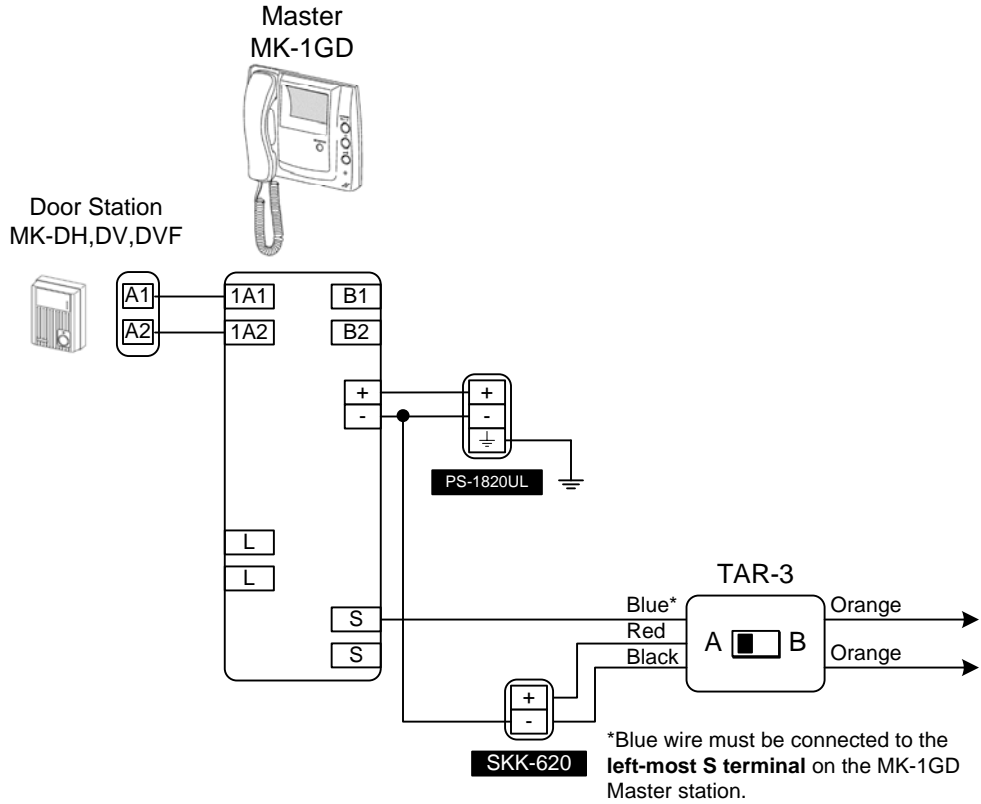
1. Connect "S" terminal of MK-1GD/MK-2MCD to BLUE wire of TAR-3.
2. Connect RED wire of TAR-3 to RED of SKK-620.
3. Connect BLACK wire of TAR-3 to both BLACK of SKK-620 and to the "-" terminal of the MK-1GD/MK-2MCD.
4. WHITE wire of TAR-3 is not used in this modification.
5. TAR-3 relay must be set in the "A" position.
6. ORANGE wires of the TAR-3 will provide a contact closure for the duration of the chime tone. Connect this contact in accordance with instructions provided with your external signaling device and power for the external device.

REFERENCE DRAWING #:

Aiphone's product warranty applies to products properly modified using these instructions. However, if a unit is damaged as a result of improper modification, the warranty does not apply.

MODIFICATION DIAGRAM

EXTERNAL SIGNALING WITH THE MK-1GD AND MK-2MCD



NOTE:

The TAR-3 provides a closure with each stroke of the chime from the monitor. (i.e. Four closures during a four-stroke chime sequence.) If a single momentary contact is required, please refer to modification #RELAY 1198-902.