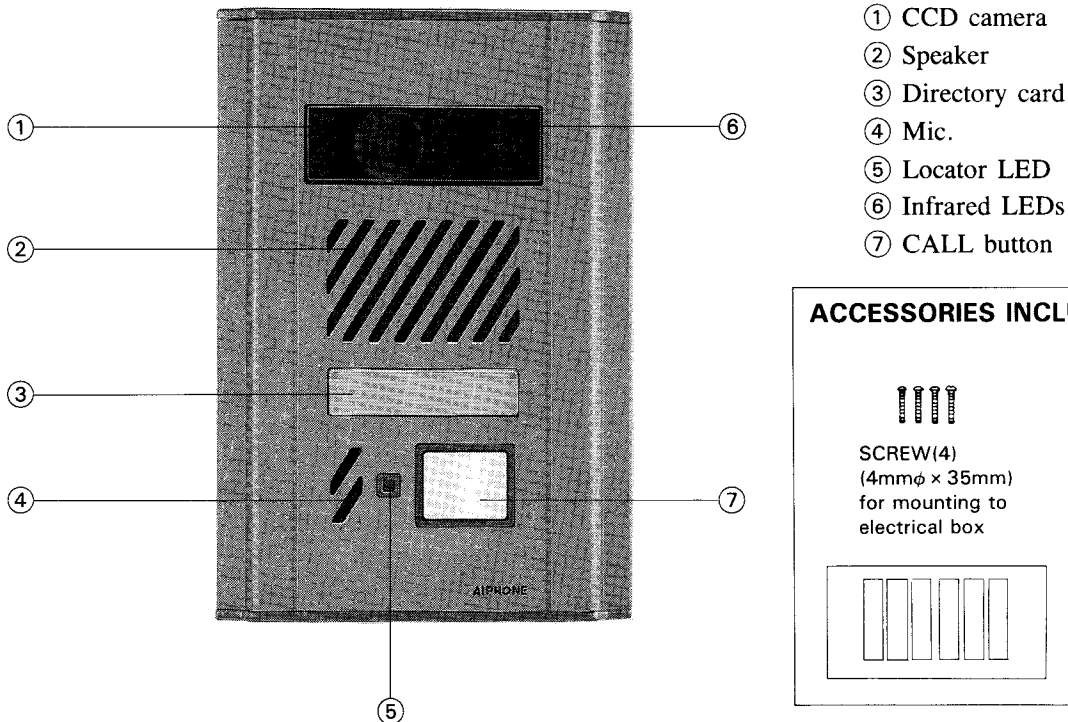


2-WIRED VIDEO ENTRY SECURITY SYSTEM


Model; **MY-DB** (Video door station, semi-flush mount)

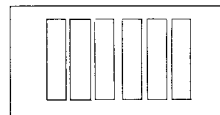
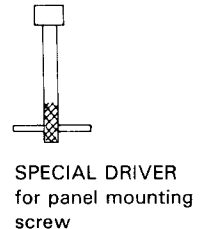
INSTRUCTIONS

1 NAMES AND FUNCTIONS



ACCESSORIES INCLUDED:


 SCREW(4)
 (4mm ϕ × 35mm)
 for mounting to
 electrical box



DIRECTORY
 CARD(6)

2 FEATURES

- * MY-DB is a video door station for use with MY video entry security system.
- * Semi-flush mounts to an electrical box or surface-mounts to MCW-R box.
- * Simple 2-conductor wiring system.
- * Employs CCD (Charge-Coupled Device) camera and infrared LEDs.
- * Weather-resistant type.
- * Camera lens is protected by vandal-resistant shield. Front panel is of anodized aluminum with tamper-proof screw.

3 BEFORE YOU INSTALL AND OPERATE THE EQUIPMENT - Prohibitions and precautions -

INSTALLATION

- ① DO NOT CONNECT ANY TERMINAL TO AC POWER LINES.
 When you mount MY-DB in place of existing bell or chime, be sure to disconnect wires from the present transformer.
- ② DO NOT OPEN THE MY-DB UNIT, WITHOUT FIRST REMOVING PLUG OF POWER SUPPLY FROM AC OUTLET.
- ③ Do not drop or hit the MY-DB which may damage the CCD camera unit.
- ④ Avoid running the connecting wires through doors, windows or between furniture, which may pinch and disconnect the wires.

3. BEFORE YOU INSTALL AND OPERATE THE EQUIPMENT (continued)

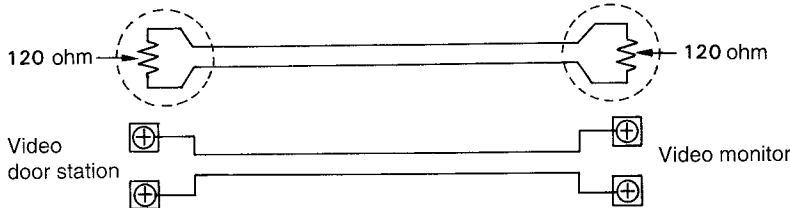
WIRING

⑤ IMPORTANT:

Use a parallel 2-conductor cable. When using existing two wires, strictly observe that two wires are of the same cable. Do not use any of the following wires, as they will seriously affect the quality of picture and communication.

* Coaxial cable; * two separate and individual wires; * a pair in multi-conductor cable.

⑥ When surplus wire(s) exists in the cable between video door station and video monitor, it is possible that the picture quality would be interfered with. In that case, we suggest connecting a 120 ohm resistor at each end of surplus wire(s).



| | | |
|---|---------------------|--------------|
| ⑤ | STRAIGHT PAIR CABLE | YES |
| | COAXIAL CABLE | NEVER |
| | TWO SEPARATE WIRES | NEVER |
| ⑥ | | NEVER |

INSTALLATION LOCATION REQUIREMENTS

Select the MY-DB installation location, observing the following conditions.

⑦ Avoid installing the MY-DB in a location that would be exposed to;

- * direct sunlight, * temperature/humidity extremes, * water, * oil, * dust, * iron dust,
- * inflammable and chemical products, etc., or
- * where the strong light source is behind the person standing at the door station. The face will appear dark on the room station monitor.

This situation can occur when buildings create shadows on entry areas.

⑧ As shown, it is recommended that the MY-DB be installed at an entrance not exposed to direct sunlight and with 200 to 300 lux secured on the object.

INSTALLATION HEIGHT

⑨ Taking the adults' average height into consideration, decide a most suitable height of MY-DB door station.

It is suggested that the center of a camera lens be installed at an adults' average height minus 10cm(4").

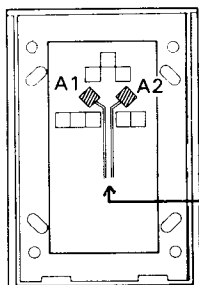
MAINTENANCE

- ⑩ Clean your MY-DB unit with a soft cloth dampened with neutral household cleanser. Never use lacquer, thinner or benzine, etc.
- ⑪ Do not splash water directly on unit.

| | | |
|---|--|---|
| | NEVER STREET LIGHT | DIM BRIGHT NEVER |
| ⑦ | NORTH WEST ENTRANCE MY-DB EAST SOUTH | NORTH ENTRANCE MY-DB WEST EAST SOUTH |
| ⑧ | Approx. 500 mm (19-5/8") Average adults' height minus 100 mm (4") 500 mm (19-5/8") | 500 mm (19-5/8") Approx. 760 mm (30") |

4 INSTALLATION

(1) ACUTAL TERMINAL LOCATION

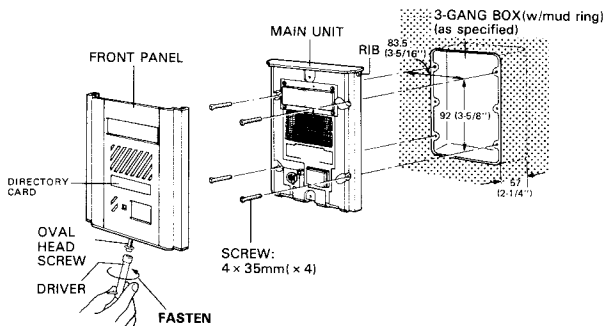


MY-DB BACK VIEW

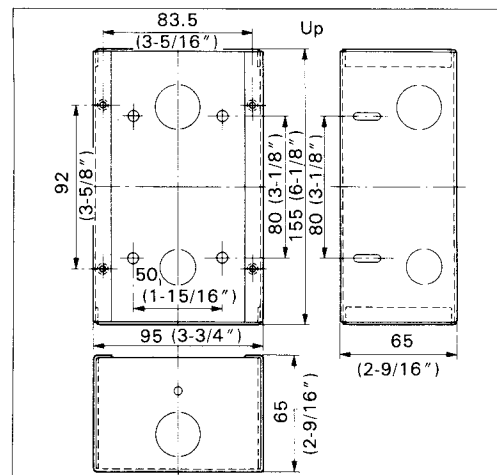
A1 , A2 : Connect to A1 , A2 terminals on room master station MY-1AD or MY-U (non-polarized).

(2) WALL MOUNTING

SEMI-FLUSH MOUNTING (to new and plastered wall);



MCW-V DIMENSIONS;



1. Loosen the oval head screw on bottom front panel by the provided driver.
2. Pull the front panel at bottom and remove from the main unit.
3. Connect wires on terminals on back of the main unit.
4. Mount the main unit on the electrical box with supplied four screws (4 mm ϕ \times 35 mm).
5. Attach the front panel to the main unit inserting to the rib provided on top main unit.
6. Rescrew the special screw on bottom front panel by the provided driver.

GANG BOX REQUIREMENTS;

MY-DB can be mounted on the 3-GANG BOX as specified below;

For North America;

* 3-GANG BOX, 1-5/8" DEEP, WITH RAISED COVER, NEMA standards

* 3-GANG BOX, SHALLOW, Tile Wall Box 1/2" knockouts, NEMA standards

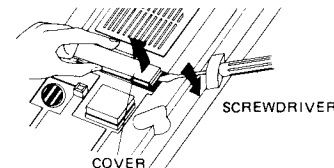
For everywhere except N. America;

* JIS 3-SWITCH BOX (w/mud ring) (Model: DS4913, to be supplied by AIPHONE).

SEMI-FLUSH MOUNTING (in existing constructions);

To mount MY-DB on existing wall or on marble wall (where no plaster is used), use Aiphone's MCW-V box, without mud ring. Cut out a hole in the wall, of W:95 mm \times H:155 mm (W: 3-3/4" \times H:6-1/8"), securing depth of 65 mm (2-9/16").

SURFACE-MOUNTING; Aiphone supplies MCW-R box, designed for MY-DB surface-mounting. For details, refer to the Instructions packed with MCW-R box.

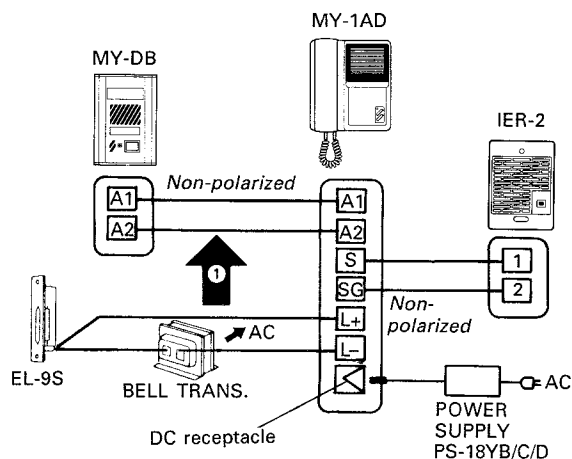


(3) DIRECTORY CARD REPLACEMENT

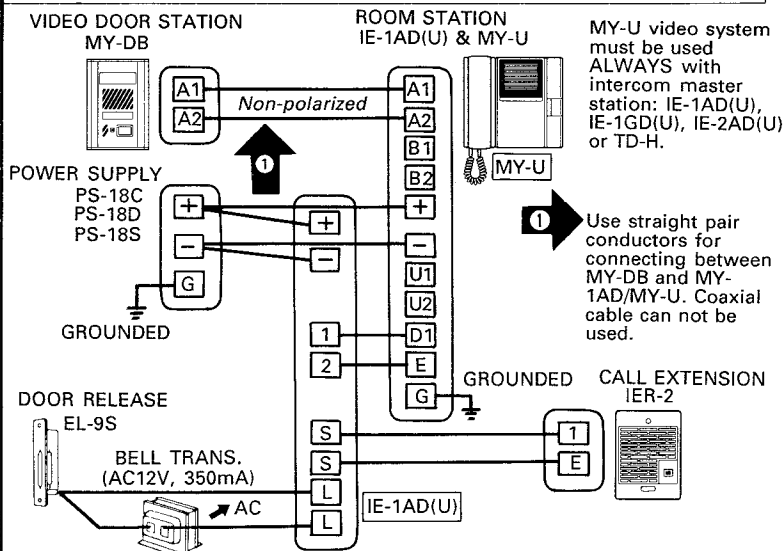
The six directory cards are supplied with the MY-DB unit. When replacing the card, first remove front panel and the card cover can be removed, using a screwdriver.

5 WIRING DIAGRAMS

(1) MY-1AD SYSTEM;

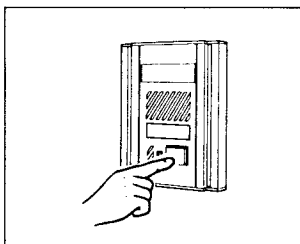


(2) MY-U SYSTEM;

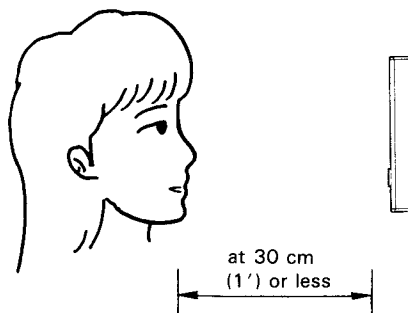


6 OPERATIONS

To call room station;



Momentarily depress CALL button.



Communicate handsfree when the room station replies.
Stand in front of the camera at approx. 30 cm (1') distance, to obtain the best picture at night.

7 SPECIFICATIONS

- * Power source: Supplied by room station.
- * Camera unit: CCD (Charge-Coupled Device) and infrared LEDs.
- * Minimum illumination: 1 lux or less on the object at a distance of 30 cm (1') or less.
It is suggested to secure brightness of 200 to 300 lux in the dark area to obtain best picture.
- * Scanning line: 525 lines.
- * Object pickup range: Approx. 50 cm (19-5/8") (average) vertically.
Approx. 76 cm (30") (average) horizontally.
- * Calling: 4-stroke electronic chime.
- * Wiring: Single pair of wires (non-polarized).
- * Wiring distance: For audio/video;

| | | | | | |
|----------|-------|-------|----------|---------|--------|
| AWG | 22AWG | 18AWG | Diameter | 0.65 mm | 1.0 mm |
| Distance | 165' | 330' | Distance | 50 m | 100 m |

- * Dimensions and weight: 175 × 120 × 25.5 (mm) (H × W × D) (5-1/8" × 3-7/8" × 1"). Approx. 530 g (1.17 lbs.).
38 mm (1-1/2") recessed.

WARRANTY

Aiphone warrants its products to be free from defects of material and workmanship under normal use and service for a period of one year after delivery to the ultimate user and will repair free of charge or replace at no charge, should it become defective upon which examination shall disclose to be defective and under warranty. Aiphone reserves unto itself the sole right to make the final decision whether there is a defect in materials and/or workmanship; and whether or not the product is within the warranty.

This warranty shall not apply to any Aiphone product which has been subject to misuse, neglect, accident, or to use in violation of instructions furnished, nor extended to units which have been repaired or altered outside of the factory.

This warranty does not cover batteries or damage caused by batteries used in connection with the product.

This warranty covers bench repairs only, and any repairs must be made at the shop or place designated in writing by Aiphone. Aiphone will not be responsible for any costs incurred involving on site service calls.

AIPHONE CO., LTD., NAGOYA, JAPAN
AIPHONE CORPORATION, BELLEVUE, WA.

COMMUNICATION SYSTEMS
AIPHONE
HOME, BUSINESS, INDUSTRY

MY-DB-I(E) 1291D

Printed in Japan (E)