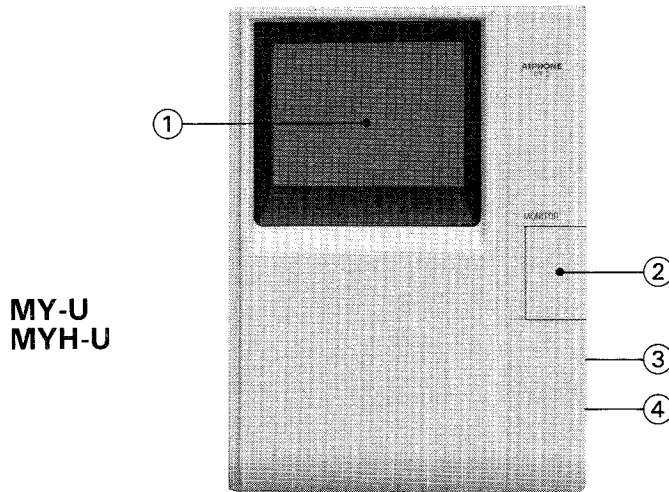


VIDEO ENTRY SECURITY SYSTEM

Models; **MY-U** (Main video monitor)
MYH-U (Sub video monitor)

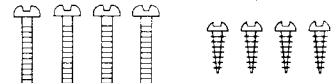
INSTALLATION MANUAL

1 NAMES AND FUNCTIONS



- ① Video monitor (CRT 4") ③ Brightness control
 ② Video monitor button ④ Contrast switch

Mounting accessories;



Screw (× 4):
4 mm dia. × 25

Wood screw (× 4):
4.1 mm dia. × 22

2 SYSTEM FEATURES

* Can be combined with the following Aiphone intercom systems;

SYSTEM	DOOR STATIONS		NO. OF ROOM STATIONS
	VIDEO (MY-DA, -DB)	AUDIO (IE-series)	
IE-1AD(U)	1	0	1
IE-1GD(U)	1	0	3
IE-2AD(U)	1	1	3
TD-H	1	1	5 ~ 23

- * Allows visual identification of the visitor before answering the intercom.
All monitors come on after the call button is pressed.
- * CCD (Charge-Coupled Device) camera with infrared LED's on MY-DA, DB door station.
(the infrared allows you to see clearly even in the dark).
- * 2-conductor (parallel) wiring system between the video door station and the inside video monitor.
- * MY-U/MYH-U employ 4-inch direct view, flat screen monitor.
- * Monitor button allows you to activate the outside camera from one of the inside stations.
- * Room-to-room communication without leakage to door station.
- * Using MYW-P3 video adaptor, MY-U system can be expanded into a video entry security/surveillance system with max. two video door stations and two cameras.

3

PREINSTALLATION AND OPERATION TIPS AND PRECAUTIONS

*Operation;

- ① Do not hold the hook switch down while using the handset. The chime tone sounds through the receiver in the handset and could cause hearing damage.

*Installation;

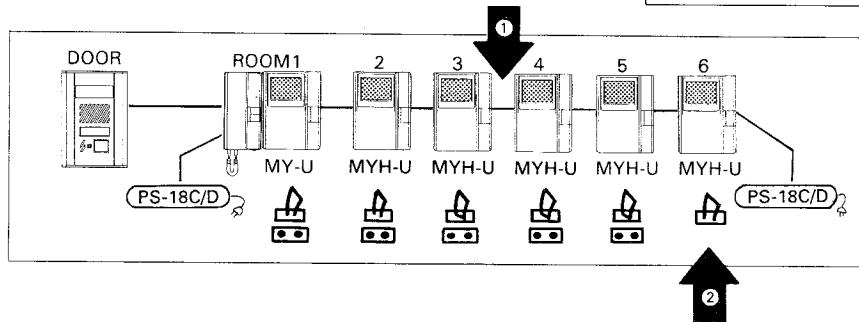
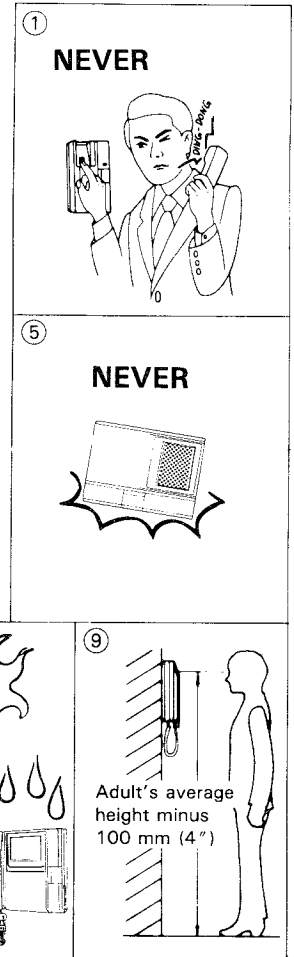
- ② Never connect any terminals on the units to an AC power line.
When mounting the MY-U/MYH-U units in place of an existing bell or chime, be sure to disconnect all wires from the present transformer.
- ③ Do not open the front cover of MY-U/MYH-U units, without first unplugging the PS-18N power supply from the AC outlet.
- ④ **IMPORTANT:-**
To avoid the possibility of noise when communicating with the door station, be sure to ground the G-terminal of the PS-18C/D power supply. The same holds true with the MY-U/MYH-U G-terminals, to avoid electric shock or miss-operation.
- ⑤ Do not drop or apply any undue shock to the unit which may damage the picture tube.
- ⑥ Avoid running the connecting wires through doors, windows or in areas that may cause pinching or disconnect.
- ⑦ The MY-U/MYH-U units must be installed in as dry and dust-free an environment as possible.

*Installation location requirements;

- ⑧ Do not install MY-U/MYH-U video monitors in a place where they are directly exposed to; direct sunlight, water, air conditioner, heater, chemicals, frost, iron dust, vapor, etc.
- ⑨ Determine the installation height so that the center of the MY-U/MYH-U video monitors will be at the convenient eye level: adults' average height minus 100 mm (4").

*Power supply requirements;

- ⑩ When more than three video monitors are installed, additional power supply is required, as shown below.
MY-U main video monitor must be used ALWAYS with IE room station: IE-1AD (U), IE-1GD (U) or IE-2AD (U).

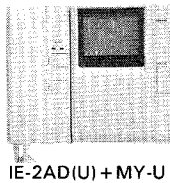
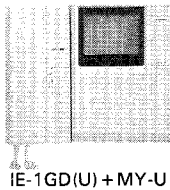
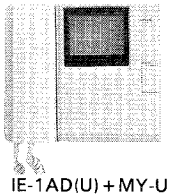
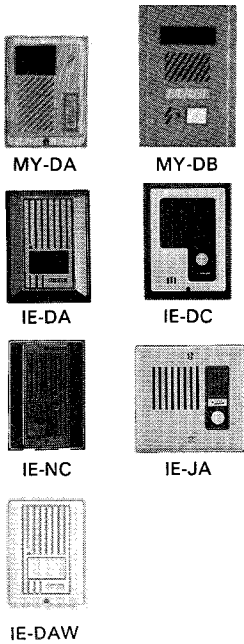


- ➡ ① Do not connect + terminal between the MYH-U No.3 & 4, or between Nos. 7 & 8, if installed.
- ➡ ② Remove the impedance-matching connector on all video monitors except on the farthest MYH-U.

*Maintenance;

- ⑪ Clean the MY equipment with a soft cloth dampened with neutral household cleaner.
Never use thinner, lacquer, benzine, etc.

4 SYSTEM COMPONENTS



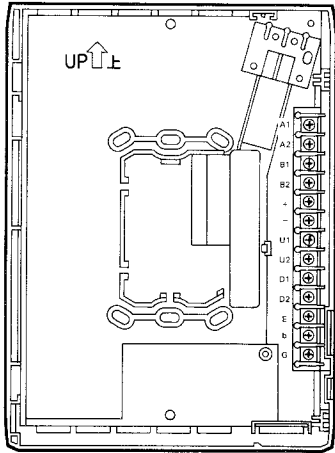
SYSTEM (MAIN ROOM STATION) COMPONENTS	QUANTITY PER SYSTEM		
	IE-1AD(U)	IE-1GD(U)	IE-2AD(U)
ENTRANCE (AUDIO/VIDEO) MY-DA: Video door station w/plastic cover. MY-DB: -do-, w/brown anodized aluminum cover.	1 pce	1 pce	1 pce
ENTRANCE (AUDIO) IE-DA: Door station, w/plastic cover surface mt. (brown). IE-DAW: -do-, surface mt. (white). IE-NC: -do-, semi-flush mount. IE-DC: -do-, surface mount. IE-JA: -do-, flush-mount, w/stainless steel cover. IE-FY: -do-, w/aluminum cover.	0	0	1 pce
ROOM Main room station:	IE-1AD(U) 1 pce	IE-1GD(U) 1 pce	IE-2AD(U) 1 pce
MY-U, Main video monitor.	1 pce	1 pce	1 pce
IEH-1CD, Sub room station.	—	2 pcs	2 pcs
MYH-U, Sub video monitor.	—	2 pcs	2 pcs
POWER SUPPLY Power supply adaptor. DC 18V, 2A PS-18C, AC110 ~ 125V, 50/60Hz. PS-18D, AC220 ~ 240V, 50/60Hz. PS-18S, AC127V, 60Hz.	1 pce	1 pce	1 pce
OPTIONS IER-2, Call extension speaker.	1 pce	1 pce	1 pce
EL-9S, Electric door release, AC 12V, 350mA (requires a separate bell transformer).	1 pce	1 pce	1 pce
MBW-A, Built-in back box for IE/MY parallel installation.	—	3 pcs	3 pcs

- NOTES; (1) MYH-U sub video monitor(s) and IEH-1CD sub room station(s) are optional.
 (2) Both IE main room station and MY-U must be powered by a single PS-18C/D power supply (i.e. IE intercom must not be powered by a bell transformer).
 (3) IER-2 is an extension speaker of chime call tone only w/adjustable 3-level volume switch.

5

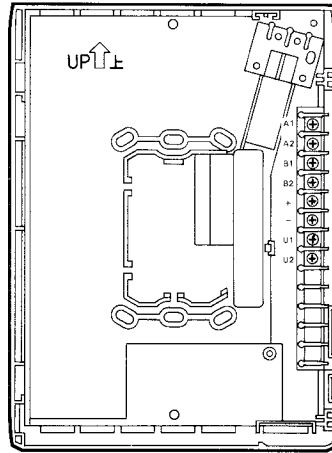
INSTALLATION

(1) Actual terminal locations;



MY-U CHASSIS INSIDE VIEW

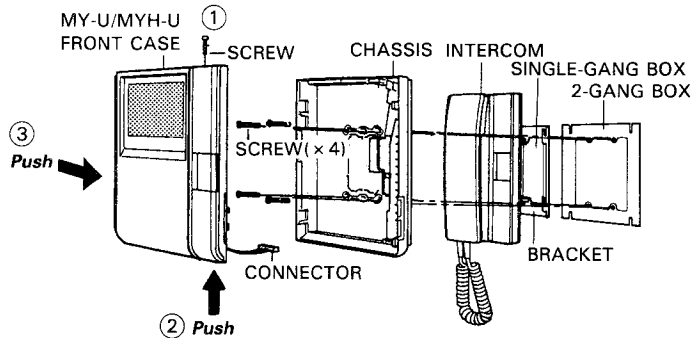
- A1** , **A2** : for video signal.
- B1** , **B2** : for video signal.
- +** , **-** : for power supply.
- U1** : for output control.
- U2** : for input control.
- D1** : for audio signal.
- D2** : for detecting calling at IE-DA, etc.
intercom door station.
- E** : for common line (grounding).
- G** : Grounding



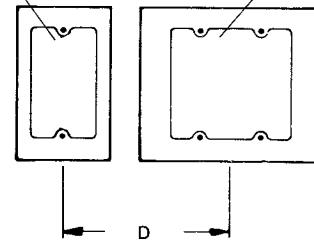
MYH-U CHASSIS INSIDE VIEW

- A1** , **A2** : for video signal.
- B1** , **B2** : for video signal.
- +** , **-** : for power supply.
- U1** : for input control.
- U2** : for output control.

(2) Surface-mounting to gang boxes;



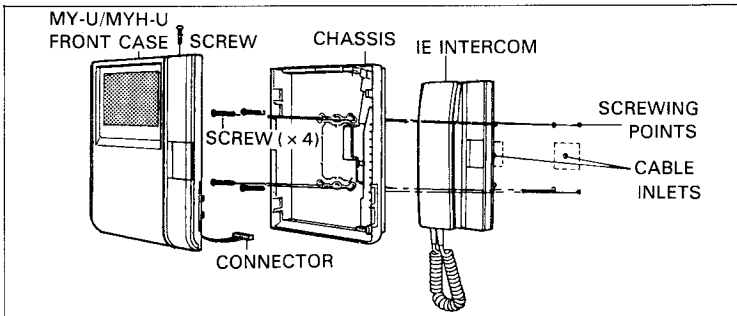
TWO GANG BOX CENTERS MOUNTING GUIDE
SINGLE-GANG BOX 2-GANG BOX



D = 117.5mm (4-5/8") for IE-1AD(U)
D = 127.5mm (5-1/32") for IE-1GD(U) & IE-2AD(U)

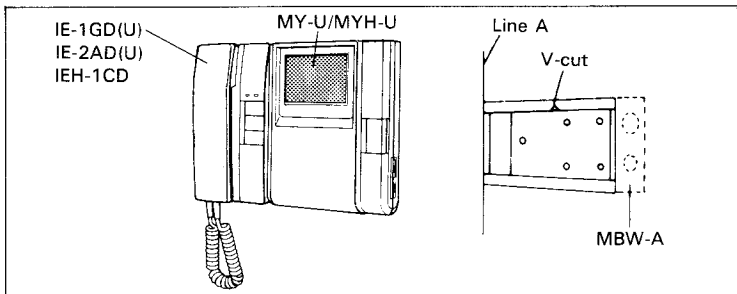
Install the intercom station first and then the video monitor. Attach the bracket to a single-gang box and mount the IE intercom. To mount the MY-U/MYH-U, remove the top screw in the case, and separate front case from the chassis, pushing the bottom, right of front case upward, then the left side of the case to the right, and removing the connector. Attach the chassis to a 2-gang box and reattach the front case.

(3) Surface-mounting to wall directly;



Decide the mounting points of both the IE intercom and the MY-U/MYH-U video monitors. Install the intercom first and then the monitors. Separate the front case and chassis in the same manner as explained in (2), and attach the chassis to the wall. On concrete walls use anchoring bolts, and on plaster board use board fasteners at the four pre-arranged mounting points.

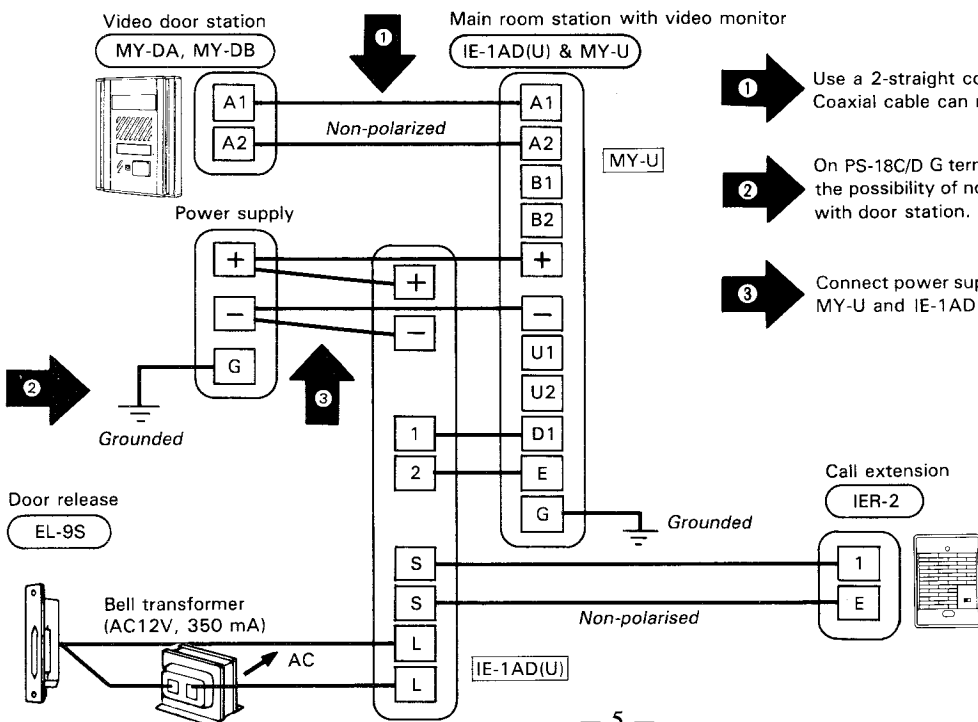
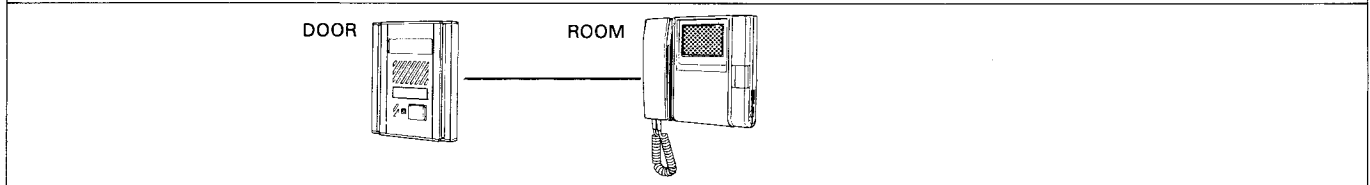
(4) Surface-mounting to MBW-A back box (for IE/MY parallel installation);



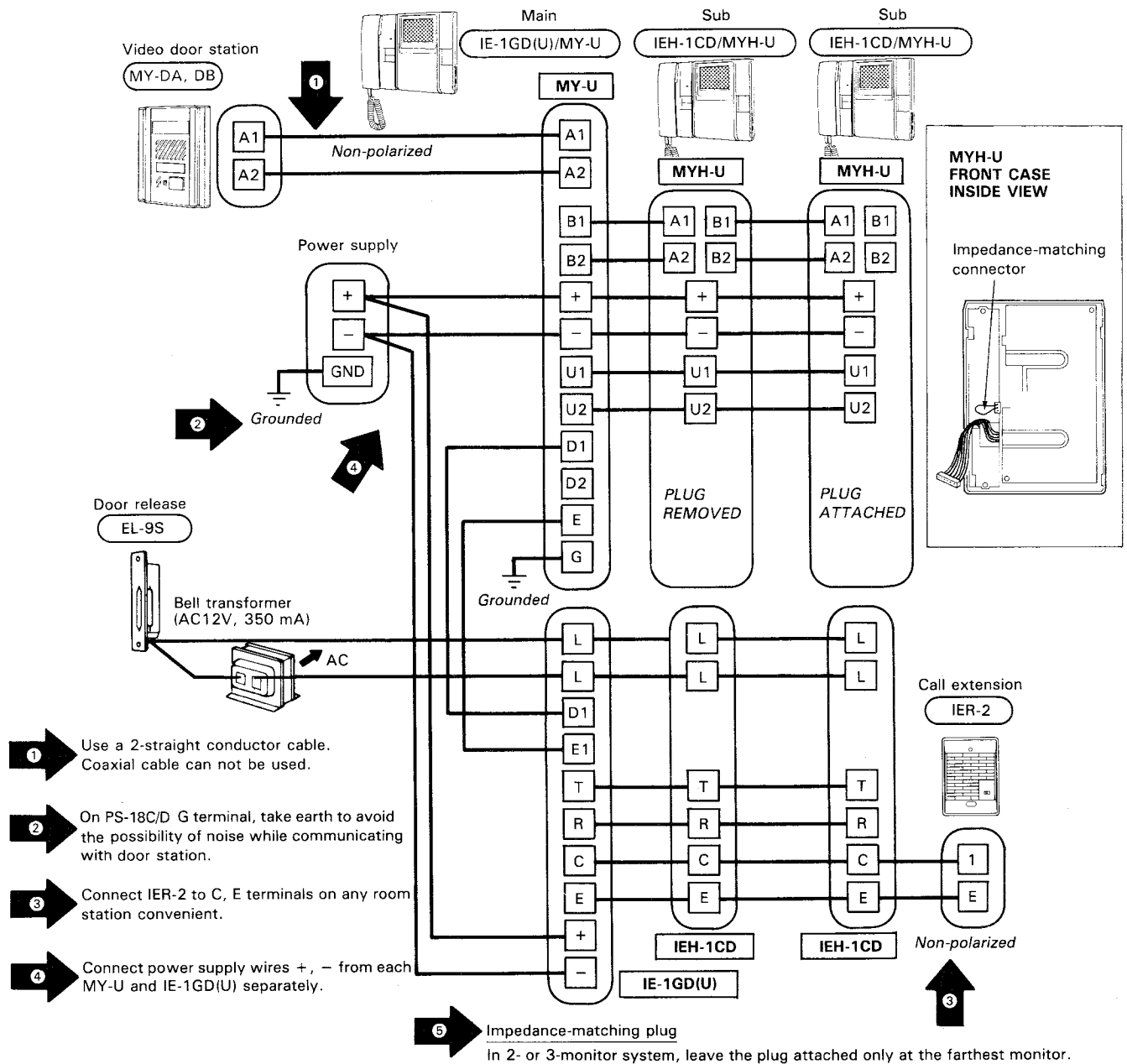
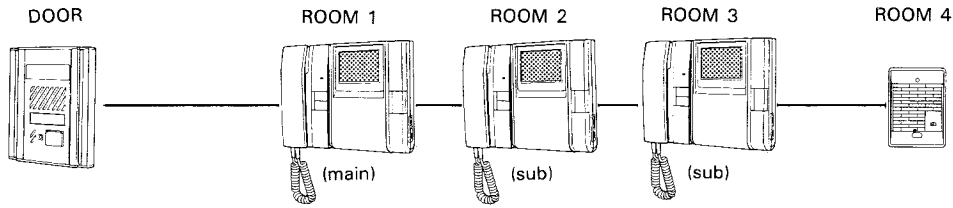
Cut a hole 95 mm (3-3/4") high by 215 mm (8-1/2") wide and 40 mm (1-9/16") deep into the wall. Position the MBW-A box in the wall, with the V-cut in the upper position, so that line A crosses vertically with the floor.

6 WIRING DIAGRAMS

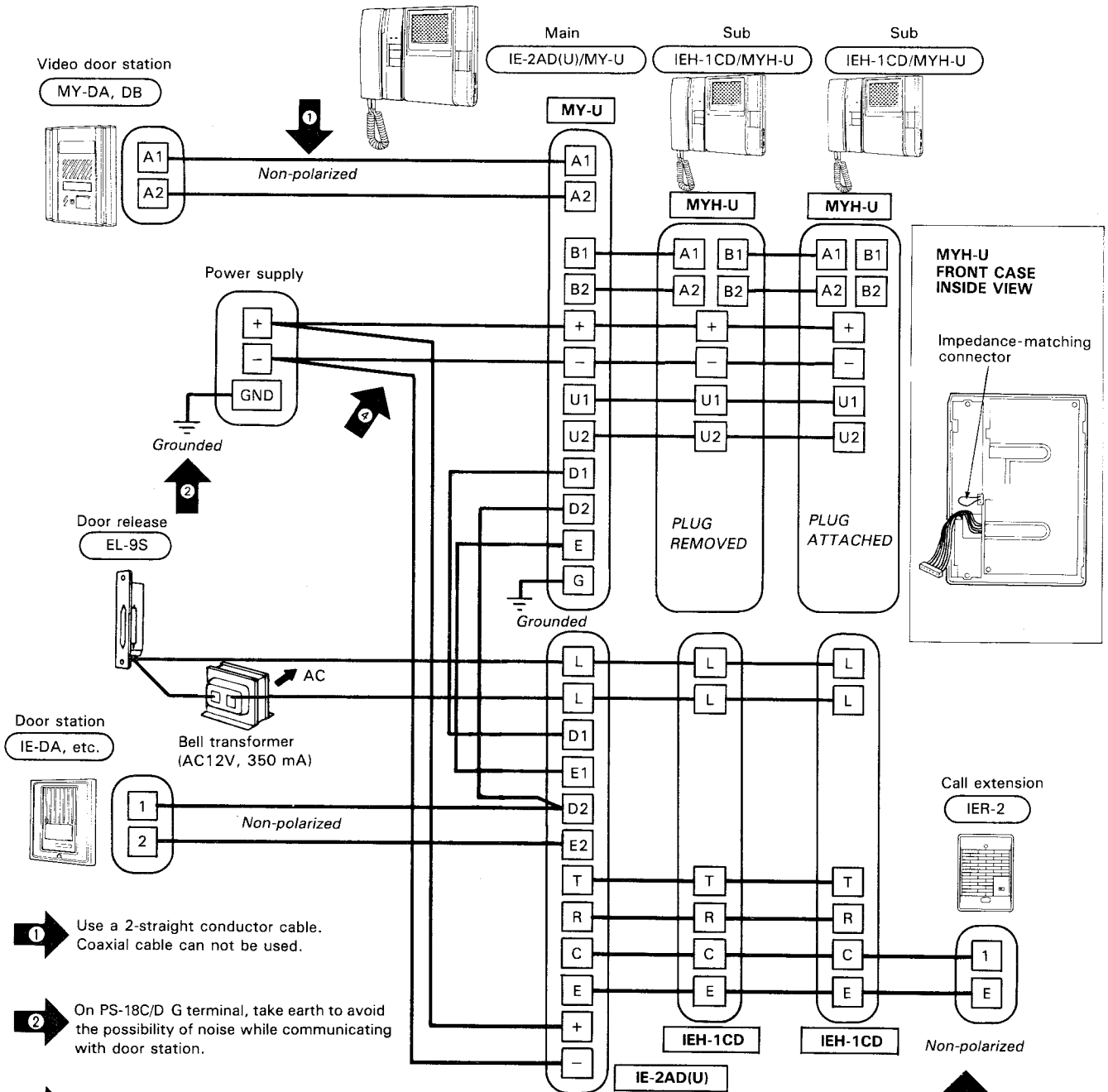
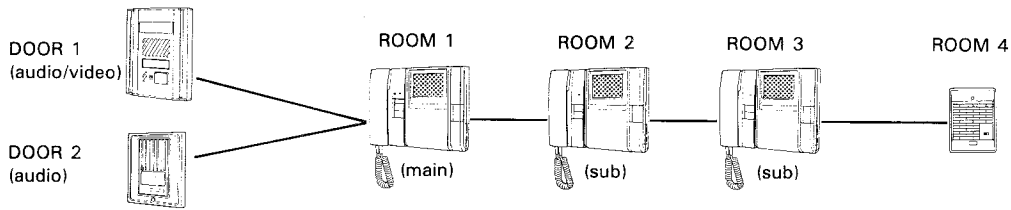
(1) IE-1AD(U)/MY-U system;



(2) IE-1GD(U)/MY-U system;



(3) IE-2AD(U)/MY-U system;



➊ Use a 2-straight conductor cable. Coaxial cable can not be used.

➋ On PS-18C/D G terminal, take earth to avoid the possibility of noise while communicating with door station.

➌ Connect IER-2 to C, E terminals on any room station convenient.

➍ Connect power supply wires +, - from each MY-U and IE-2AD(U) separately.

➎ Impedance-matching plug
In 2- or 3-monitor system, leave the plug attached only at the farthest monitor.



SPECIFICATIONS

*Power source:	DC 18V, supplied by PS-18C/D power supply.																																						
*Current consumption:	<table border="1"> <tr> <td></td> <td>MY-U</td> <td>MYH-U</td> <td>MY-U & 2 MYH-U</td> </tr> <tr> <td>In standby mode</td> <td>0.05A</td> <td>0A</td> <td>0.05A</td> </tr> <tr> <td>In operating mode</td> <td>0.8A</td> <td>0.4A</td> <td>1.6A</td> </tr> </table>				MY-U	MYH-U	MY-U & 2 MYH-U	In standby mode	0.05A	0A	0.05A	In operating mode	0.8A	0.4A	1.6A																								
	MY-U	MYH-U	MY-U & 2 MYH-U																																				
In standby mode	0.05A	0A	0.05A																																				
In operating mode	0.8A	0.4A	1.6A																																				
*CRT (Cathode Ray Tube):	4 inch CRT, direct view and flat type.																																						
*Scanning line:	525 lines.																																						
*Communication:	Simultaneous with intercom handset.																																						
*Calling:	Electronic chime.																																						
*Wiring:	2 wires (non-polarized) between MY-DA, DB and MY-U. 6 wires between MY-U/MYH-U and MYH-U. 6 wires between room stations (2 for door release included). 3 wires between MY-U and IE-2AD(U).																																						
*Maximum wiring distance: <u>For audio/video:</u>	<p>(1) Between MY-DA/DB & MY-U;</p> <table border="1"> <tr> <td>AWG</td> <td>22AWG</td> <td>18AWG</td> <td>Diameter</td> <td>0.65 mm</td> <td>1.0 mm</td> </tr> <tr> <td>Distance</td> <td>165'</td> <td>330'</td> <td>Distance</td> <td>50 m</td> <td>100 m</td> </tr> </table> <p>(2) Between MY-U & the farthest MYH-U;</p> <p>a. When one MYH-U is included;</p> <table border="1"> <tr> <td>AWG</td> <td>22AWG</td> <td>18AWG</td> <td>Diameter</td> <td>0.65 mm</td> <td>1.0 mm</td> </tr> <tr> <td>Distance</td> <td>115'</td> <td>245'</td> <td>Distance</td> <td>35 m</td> <td>75 m</td> </tr> </table> <p>b. When two MYH-U are included;</p> <table border="1"> <tr> <td>AWG</td> <td>22AWG</td> <td>18AWG</td> <td>Diameter</td> <td>0.65 mm</td> <td>1.0 mm</td> </tr> <tr> <td>Distance</td> <td>55'</td> <td>145'</td> <td>Distance</td> <td>17 m</td> <td>45 m</td> </tr> </table> <p>Note; (1) The distance of 75 m/245' is secured with 1.0 mm dia./18AWG when wire on +, - terminals are doubled (when two MYH-U are included). (2) MYH-U operating voltage range is from 15.5V to 19.1V. In any wiring, secure 15.5V so as to be applied to MYH-U.</p> <p>(3) Between MY-U & PS-18C/D; 5m/16' with 1.0 mm dia./18AWG.</p>			AWG	22AWG	18AWG	Diameter	0.65 mm	1.0 mm	Distance	165'	330'	Distance	50 m	100 m	AWG	22AWG	18AWG	Diameter	0.65 mm	1.0 mm	Distance	115'	245'	Distance	35 m	75 m	AWG	22AWG	18AWG	Diameter	0.65 mm	1.0 mm	Distance	55'	145'	Distance	17 m	45 m
AWG	22AWG	18AWG	Diameter	0.65 mm	1.0 mm																																		
Distance	165'	330'	Distance	50 m	100 m																																		
AWG	22AWG	18AWG	Diameter	0.65 mm	1.0 mm																																		
Distance	115'	245'	Distance	35 m	75 m																																		
AWG	22AWG	18AWG	Diameter	0.65 mm	1.0 mm																																		
Distance	55'	145'	Distance	17 m	45 m																																		
M: MY-U, S: MYH-U, PS: PS-18C, PS-18D	<p>a. </p> <p>b. </p>																																						
*Dimensions;	MY-U & MYH-U; (H x W x D) 155 x 210 x 50 (mm) (6-1/8" x 8-1/4" x 1-15/16")																																						
*Weight:	MY-U ; Approx. 1.2 kg (2.65 lbs.) MYH-U; Approx. 1.1 kg (2.43 lbs.)																																						

WARRANTY

Aiphone warrants its products to be free from defects of material and workmanship under normal use and service for a period of one year after delivery to the ultimate user and will repair free of charge or replace at no charge, should it become defective upon which examination shall disclose to be defective and under warranty. Aiphone reserves unto itself the sole right to make the final decision whether there is a defect in materials and/or workmanship; and whether or not the product is within the warranty.

This warranty shall not apply to any Aiphone product which has been subject to misuse, neglect, accident, or to use in violation of instructions furnished, nor extended to units which have been repaired or altered outside of the factory.

This warranty does not cover batteries or damage caused by batteries used in connection with the product.

This warranty covers bench repairs only, and any repairs must be made at the shop or place designated in writing by Aiphone. Aiphone will not be responsible for any costs incurred involving on site service calls.

Aiphone Co., Ltd., Nagoya, Japan
Aiphone Corporation, Bellevue, WA, USA



MY-U-IM(E) 0890E

Printed in Japan (E)