

VIDEO ADAPTOR

Models;
**MYW-P3CB
MYW-P3B**

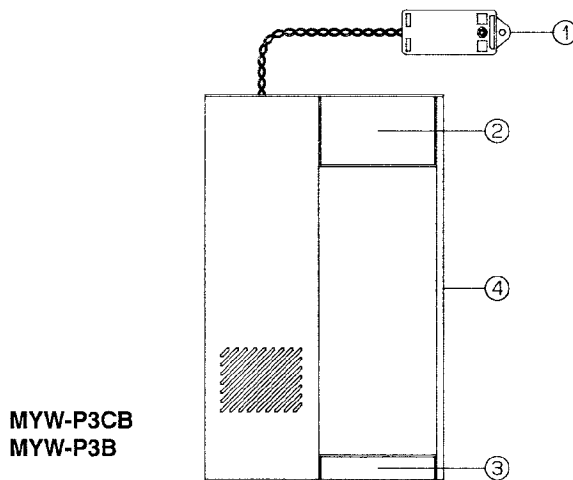
(for use with Pan Tilt MY-DC)

(for use with MY-DA, DB)

INSTRUCTIONS

1

NAMES AND FUNCTIONS



- ① Junction terminal for coaxial cable
- ② Cover for setting switch section & mounting screw
- ③ Cover for mounting screw
- ④ Surface-mount back box

2

FEATURES

- * MYW-P3CB is a video adaptor for use with 2-wired MY Pan Tilt video system providing video monitoring capabilities for up to 3 locations. *MYW-P3CB activates any video door station MY-DC & MY-DA, DB, and has all functions MYW-P3B can provide. MYW-P3B can not activate MY-DC.*
- * Accepts max. two video door stations and one surveillance cameras (in IE-2AD(U) system).

System	Video Door Station		Surveillance Camera	Room Station		
	Model	Qty.		Main	Sub	Total
IE-1GD (U)	MY-DA/DB	1	1	IE-1GD(U)+MYH-U	IEH-1CD (2)+MYH-U(1)	3 rooms
	MY-DC	1	1	IE-1GD(U)+MYH-CU	IEH-1CD(2)+MYH-CU(1)	
IE-2AD (U)	MY-DA/DB	2	1	IE-2AD(U)+MYH-U	IEH-1CD(2)+MYH-U(1)	3 rooms
	MY-DC	2	1	IE-2AD(U)+MYH-CU	IEH-1CD(2)+MYH-CU(1)	
TD-H (**)	MY-DA/DB	2	1	TD-H/A+MYH-U	TD-H/A+MYH-U	2 or more(*)
	MY-DC	2	1	TD-H/A+MYH-CU	TD-H/A+MYH-CU	

(*) Up to TWO video monitors can be powered by one PS-18C, 18D or 18S power supply.

An additional power supply is required for every four video monitors (max. nine per system).

(**) For TD-H system, DE-UR door station adaptor is required per door station (max. 2 per system).

3

INSTALLATION

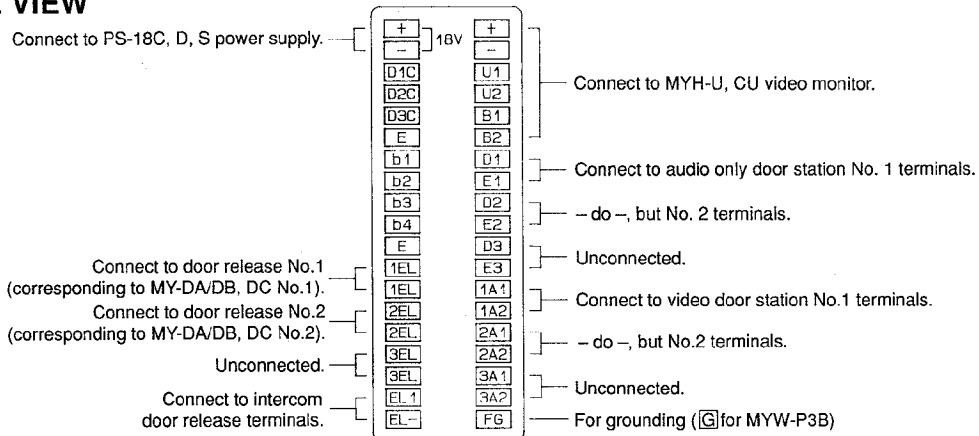
(1) System configuration;

NO.	Entry / Area				Room Station				Setting Switches
	1	2	3	4	1	2	3	4	
1.	 MY-DC	—	—	 MFW-CZ	 IE-1GD(U) MYH-CU	 IEH-1CD MYH-CU	 IEH-1CD		
2.	 MY-DC	 MY-DC	—	—	 IE-2AD(U) MYH-CU	 IEH-1CD MYH-CU	 IEH-1CD		
3.	 MY-DC	 MFW-CZ IE-DA	—	 MFW-CZ	 IE-2AD(U) MYH-CU	 IEH-1CD MYH-CU	 IEH-1CD		
4.	 MY-DC	 MY-DC	—	 MFW-CZ	 IE-2AD(U) MYH-CU	 IEH-1CD MYH-CU	 IEH-1CD		
5.	 MY-DC	 MY-DC	—	—	 TD-H MYH-CU	 TD-H MYH-CU	 TD-H	 TD-H	
6.	 MY-DC	 MY-DC	—	 MFW-CZ	 TD-H MYH-CU	 TD-H MYH-CU	 TD-H	 TD-H	

(*) NOTE; As shown in system 3, camera combined with IE-DA can be used instead of MY-DC. Camera unit alone can not work for entry No.2.

(2) Actual terminal locations;

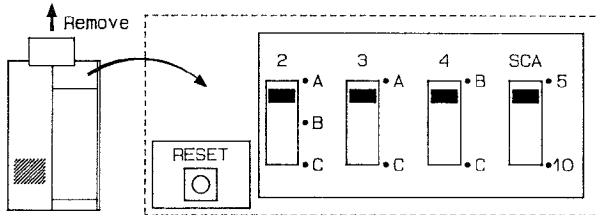
MYW-P3CB/MYW-P3B INSIDE VIEW



The terminals 1A1, 1A2, D1C & b1 are all door station No.1-related terminals, as well as 1EL, 1EL (door release).

(3) Setting switches;

Remove upper front cover and five switches are located as shown below. Set switch 2 ~ 4 and SCA according to your system configuration.

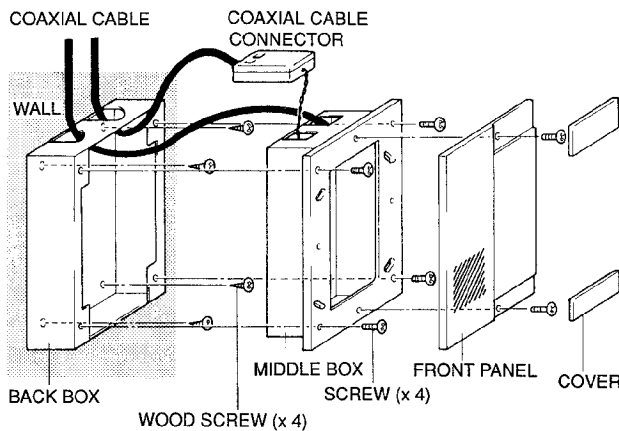


1. On setting switch section, 2 ~ 4 and SCA are marked above each switch. The number 2 ~ 4 corresponds to each door/entry number.
Door station No.1 must be MY-DA/DB or MY-DC, 2-wired video door station.
2. SCA switch is to set for interval of auto-scanning. When shipped, it is set for 5 seconds. Auto-scanning means if you press MONITOR button for 1.5 seconds or more, you can monitor the picture of door 1 to 4 with an interval of 5 or 10 seconds.
3. Press RESET switch if the system does not work properly after setting all the switches.

2 (CAMERA 2)	3 (CAMERA 3)	4 (CAMERA 4)	SCA (SCANNING INTERVAL)
A. When MY 2-wired video door station is connected.	A. When MY 2-wired video door station is connected.	B. When camera(coaxial cabled) is connected.	5: When scans automatically with 5 second interval.
B. When camera(coaxial cabled) is connected.	C. When no camera is connected, or when audio only door station is connected.	C. When no camera is connected.	10: When scans automatically with 10 second interval.
C. When no camera is connected, or when audio only door station is connected.			

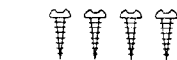
↑ Switch 3 must be always set to C position.

(4) Wall-mounting installation;

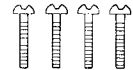


MYW-P3CB is shipped with surface-mount back box. After opening knock-out holes for cable inlets, attach the back box with the supplied 4 wood screws. There is no upside-down of the back box. Then, attach the middle box to the back box with the supplied 4 screws, putting the coaxial cable connector to one side. After wiring, reattach the front cover to the middle box.

* MOUNTING ACCESSORIES;

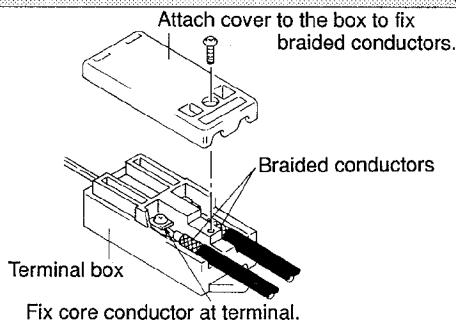


Wood screw (4)
(for mounting back box to wall)



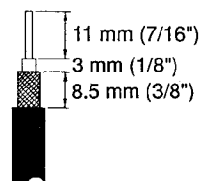
Screw (4)
(for mounting middle box to back box)

(5) Coaxial cable connection (at terminal box end);

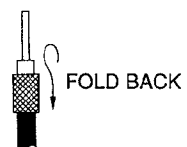


Coaxial cable end;

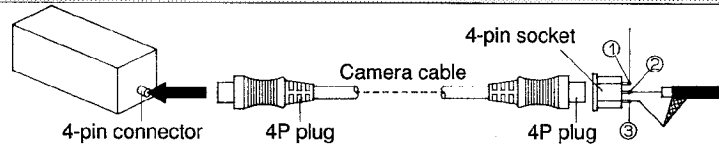
5C-2V
RG-59/U (20GA)



3C-2V
RG-59/U (22GA)



(6) Surveillance camera connection;

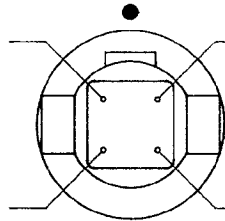


Solder and connect wire on each pin and apply vinyl tape for insulation.

Connection on 4-pin socket soldered side;

2. Connect to coaxial cable core conductor.

3. Connect to coaxial cable braided conductors and MAW-B control relay.



1. Connect to terminal + of power supply.

4. Unconnected.

1 : Power supply (+)
2 : Video output
3 : MAW-B (grounding)
4 : Voice output (unused)

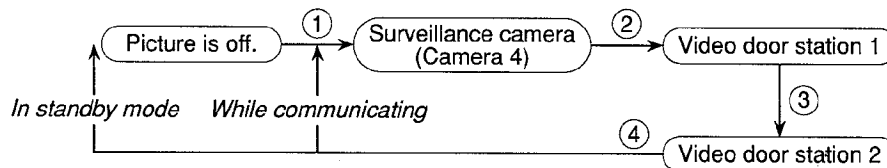
4 OPERATIONS

1. Receiving a call from video door station or audio door station (and camera worked);

Electronic chime tone sounds and picture comes on on the video monitors. Reply within approximately 45 seconds (the communication circuits are off in approximately 45 seconds). The picture shuts off in approximately 2 minutes and half. When the picture goes off during communication, press MONITOR button repeatedly until you have the picture of calling door station. When called by other video door station during your communication, only the chime tone sounds softly in handset, while the picture remains unchanged. Momentarily hang up handset, and the picture of calling door appears, and you can communicate.

2. Video monitoring;

Press MONITOR button in succession, and the picture is switched to the next door in the following order;



Even while in communicating & monitoring mode, the picture can be rotated in succession by pressing MONITOR button to the picture of calling door station.

When called by (video) door station during this rotation, the picture on the monitor is switched to that of calling door station. The picture shuts off in approximately 2 minutes and half after switching.

3. Auto-scan monitoring;

When you keep pressing MONITOR button for more than 1.5 seconds, the picture is switched automatically from ① to ④.

The scanning interval can be set to either 5 or 10 seconds.

The MYW-P3CB is shipped with the corresponding switch set to 5 seconds.

To cancel auto-scan monitoring, press MONITOR button once, which puts the system to usual monitoring mode.

4. Audio/video monitoring;

When you press D1-D2 changer button on IE-2AD (U) or door-assigned No. button on TD-H station, you can have both audio and video, which last for approximately 2 minutes and half.

Pressing MONITOR button after 2 minutes and half, you can have the same picture again.

5. PanTilt viewing (in MYW-P3CB system only);

While monitoring, MYH-CU PanTilt control pad can activate the MY-DC camera vertically and horizontally.

5

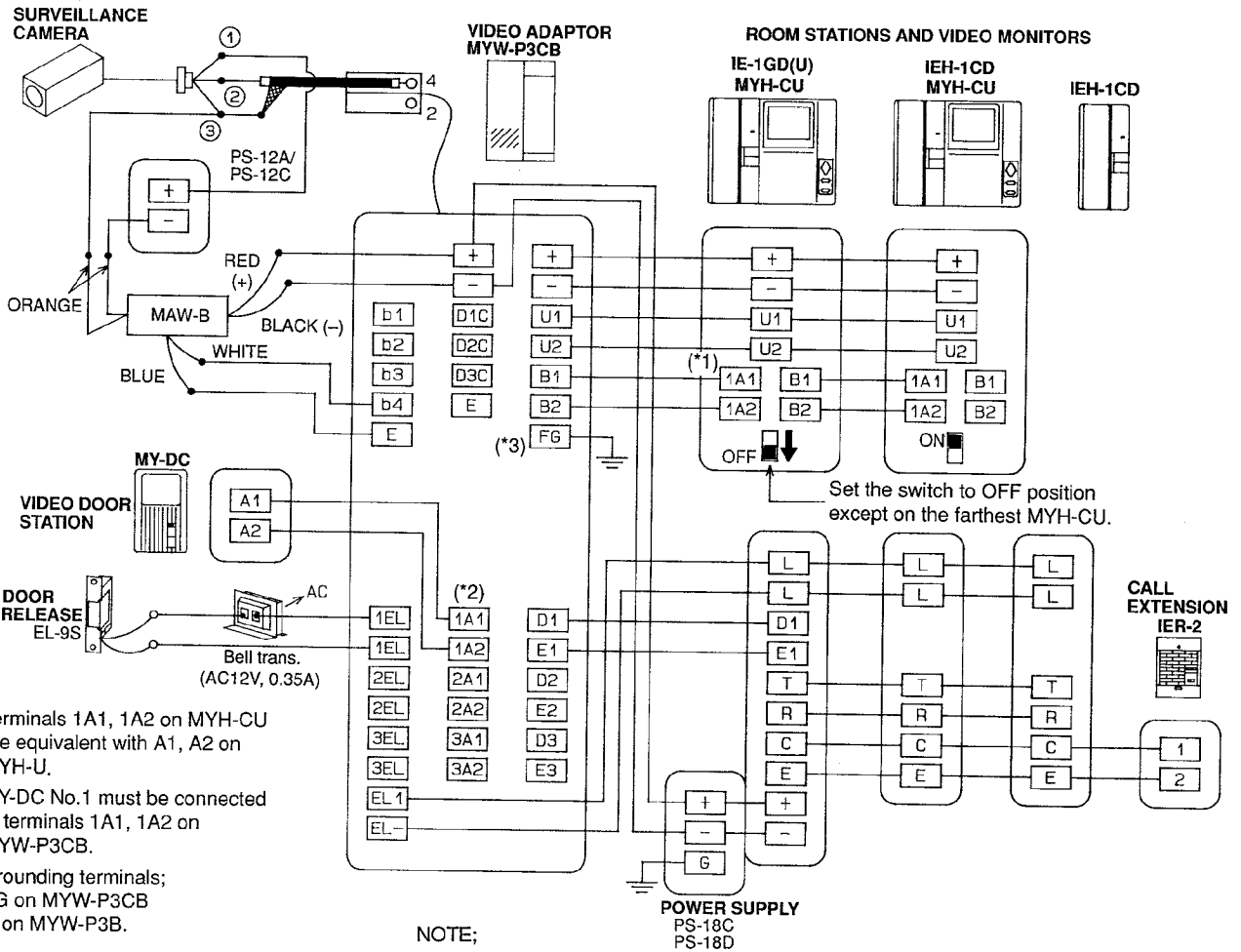
WIRING DIAGRAMS;

(1) IE-1GD(U) / MYW-P3CB System;

One Video Door Station
One Surveillance Camera

MYW-P3B system with MY-DB & MYH-U, can be wired in exactly the same manner.

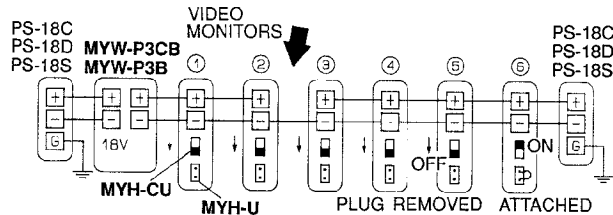
MYW-P3CB activates MY-DA/DB & MYH-U.



- (*1) Terminals 1A1, 1A2 on MYH-CU are equivalent with A1, A2 on MYH-U.
- (*2) MY-DC No.1 must be connected to terminals 1A1, 1A2 on MYW-P3CB.
- (*3) Grounding terminals; FG on MYW-P3CB G on MYW-P3B.

IMPEDANCE-MATCHING & POWER SUPPLY CONNECTION;

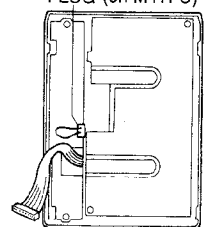
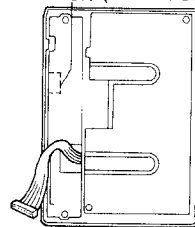
When installing more than two MYH-U, CU video monitors, connect power supply terminals as shown. Additional power supply is required for every 4 video monitors (max. 9 per system).



IMPEDANCE-MATCHING SWITCH/PLUG;

SWITCH (on MYH-CU)

PLUG (on MYH-U)



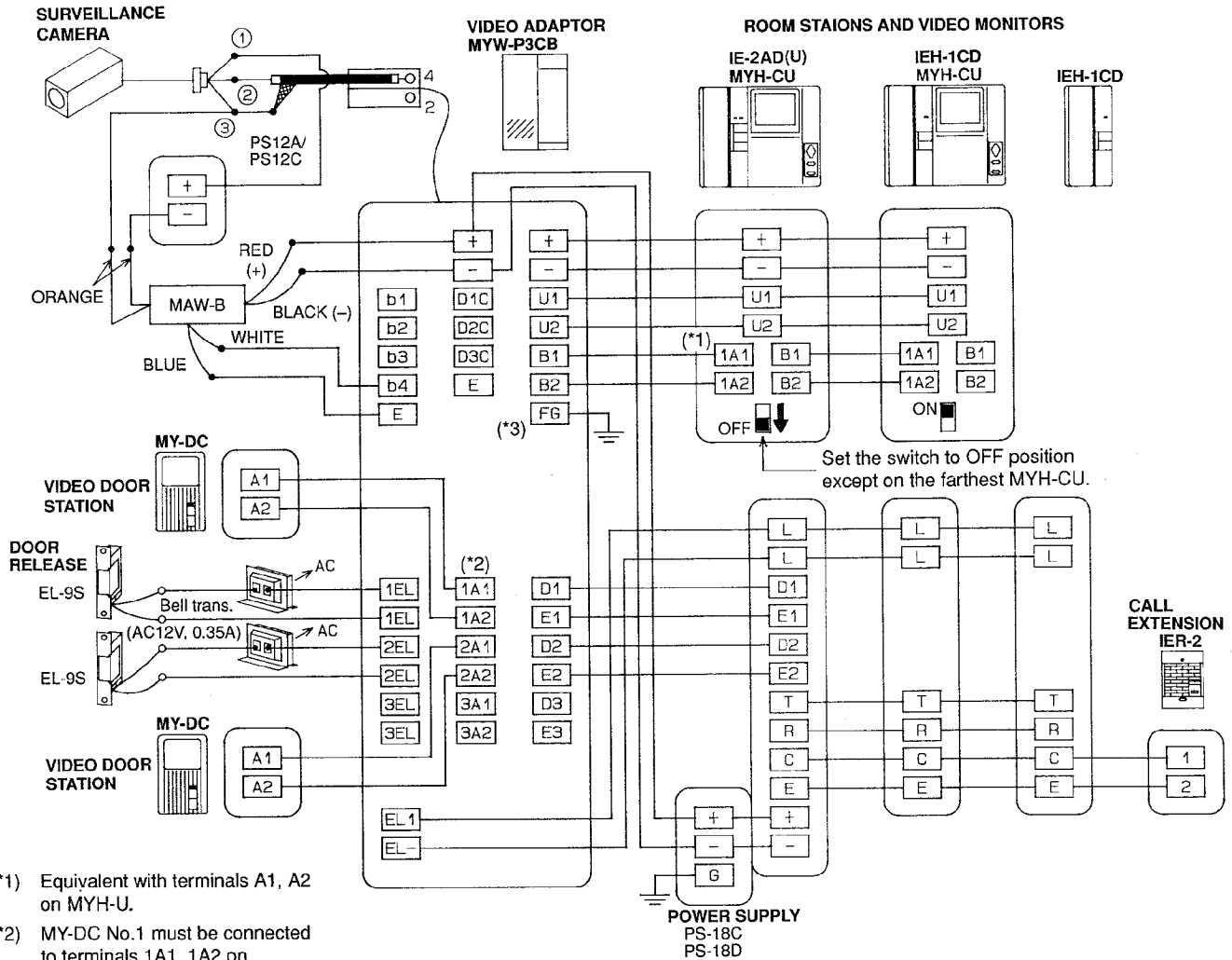
The switch is set to ON position when shipped.

(2) IE-2AD(U) / MYW-P3CB System;

Two Video Door Stations
One Surveillance Camera

MYW-P3B system with MY-DB, MYH-U, can be wired in exactly the same manner.

MYW-P3CB also activates MY-DA/DB & MYH-U.



(*1) Equivalent with terminals A1, A2 on MYH-U.

(*2) MY-DC No.1 must be connected to terminals 1A1, 1A2 on MYW-P3CB.

(*3) Grounding terminals: FG on MYW-P3CB G on MYW-P3B.

POWER SUPPLY
PS-18C
PS-18D

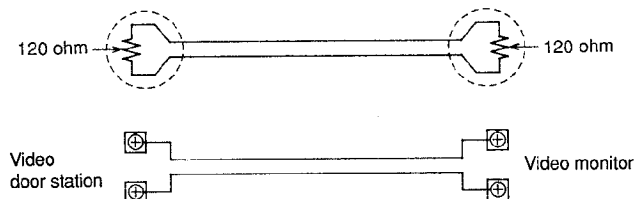
NOTE:

MYW-P3CB adaptor and up to two MYH-CU video monitors can be powered by a single PS-18C, D, S power supply.

An additional MYH-U unit installation requires another power supply.

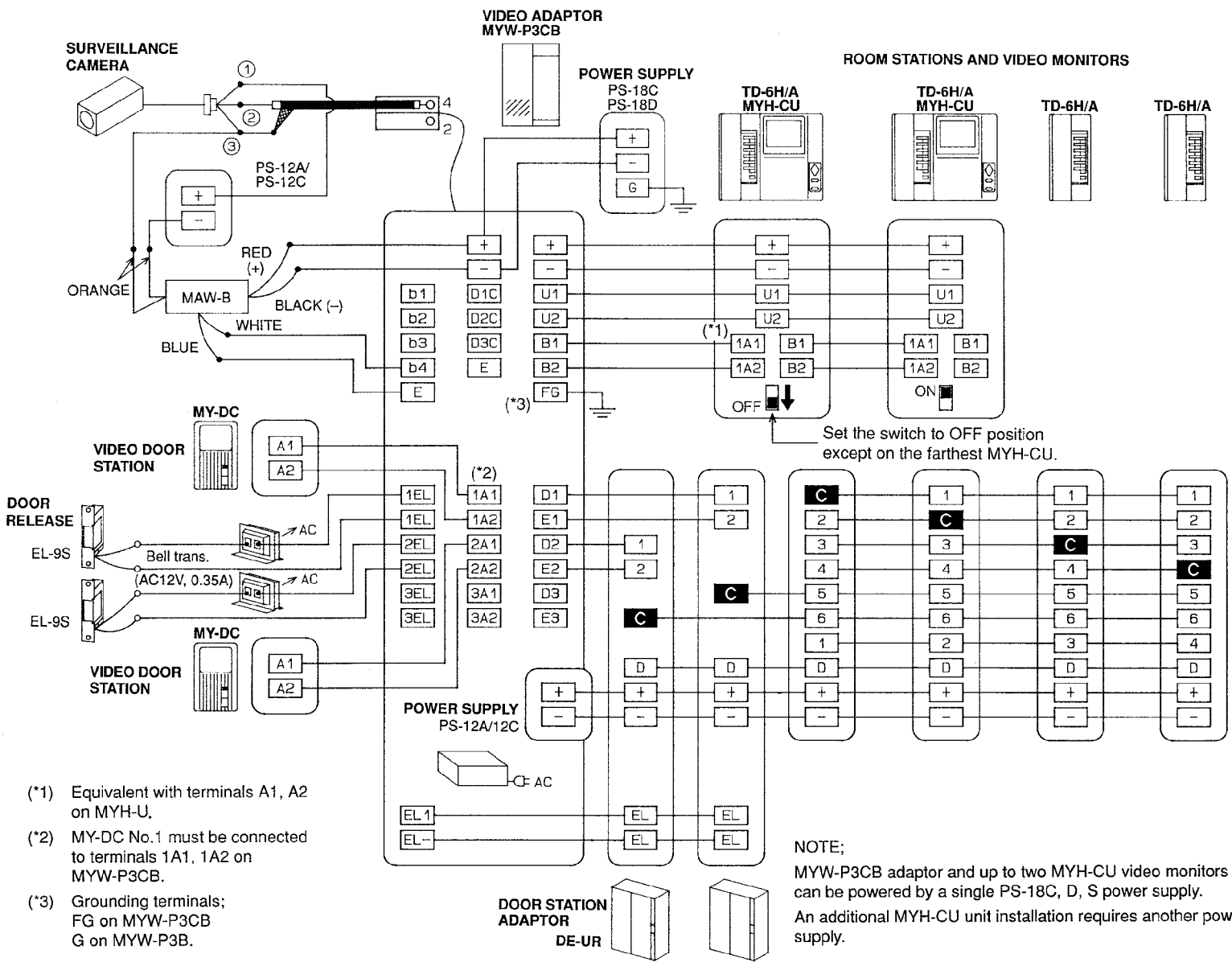
VIDEO DOOR STATION WIRING

When surplus wire(s) exists in the cable between video door station and video monitor, it is possible that the picture quality would be interfered with. In that case, we suggest connecting a 120 ohm resistor at each end of surplus wire(s).



(3) TD-H / MYW-P3CB System;

Two Video Door Stations One Surveillance Camera



- (*1) Equivalent with terminals A1, A2 on MYH-U.
- (*2) MY-DC No.1 must be connected to terminals 1A1, 1A2 on MYW-P3CB.
- (*3) Grounding terminals; FG on MYW-P3CB G on MYW-P3B.

NOTE;
 MYW-P3CB adaptor and up to two MYH-CU video monitors can be powered by a single PS-18C, D, S power supply. An additional MYH-CU unit installation requires another power supply.

MYW-P3B system with MY-DB, MYH-U, can be wired in exactly the same manner.
 MYW-P3CB also activates MY-DA/DB & MYH-U.

6

SPECIFICATIONS

MYW-P3CB (also applies to MYW-P3B);

* Power source:	DC 18V, supplied from PS-18C, 18D or PS-18S power supply.				
* Current consumption:	Max. 1.2A. 0.25A in standby mode.				
* Wiring:	2 wires between MY-DC and MYW-P3CB. 6 wires between MYH-CU and MYW-P3CB. 6 wires between MYW-P3CB and room master station (or door station adaptor) per door station.				
* Wiring distance:	* Between MYW-P3CB and MY-DC, DA/AB (MYW-P3B and MY-DA/DB);				
	Diameter	0.65mm	1.0mm	AWG	22AWG 18AWG
	Distance	50m	100m	Distance	165' 330'
(with one MYH-CU included)	* Between MYW-P3CB and the farthest MYH-CU (MYH-U);				
	Diameter	0.65mm	1.0mm	AWG	22AWG 18AWG
	Distance	35m	75m	Distance	115' 245'
(with two MYH-CU included)					
	Diameter	0.65mm	1.0mm	AWG	22AWG 18AWG
	Distance	17m	35m	Distance	55' 115'
* Dimensions:(W x H x D)	150 x 240 x 60 (mm); 5-7/8" x 9-7/16" x 2-3/8"				
* Weight:	Approximately 720g (1.59 lbs.)				
* Camera unit connectable for each entry;					
	Entry / Area No.1	No.2	No.3	No.4	
	MY-DC, MY-DA/DB	MY-DC, MY-DA/DB	(MY-DC, MY-DA/DB)	MFW-CZ camera	
	—	MFW-CZ camera plus (*1) IE-DA, etc. (audio only)	IE-DA, etc. (audio only)	No camera unit	
	—	No camera	No camera (*2)	—	
Notes;					
(*1)	MFW-CZ camera alone can not be connected to No.2 terminal, and IE audio only door station must be always used with the camera.				
(*2)	MY-DC, MY-DA/DB can be connected to No.3 terminal, but neither system IE-2AD(U) nor TD-H can accept more than two door stations. So, switch 3 must be set to C position (no camera unit installed).				

WARRANTY

Aiphone warrants its products to be free from defects of material and workmanship under normal use and service for a period of one year after delivery to the ultimate user and will repair free of charge or replace at no charge, should it become defective upon which examination shall disclose to be defective and under warranty. Aiphone reserves unto itself the sole right to make the final decision whether there is a defect in materials and/or workmanship; and whether or not the product is within the warranty.

This warranty shall not apply to any Aiphone product which has been subject to misuse, neglect, accident, or to use in violation of instructions furnished, nor extended to units which have been repaired or altered outside of the factory.

This warranty does not cover batteries or damage caused by batteries used in connection with the product.

This warranty covers bench repairs only, and any repairs must be made at the shop or place designated in writing by Aiphone.

Aiphone will not be responsible for any costs incurred involving on site service calls.

Aiphone Co., Ltd. Nagoya, Japan
Aiphone Corporation, Bellevue, WA, USA

Communication systems
AIPHONE
HOME, BUSINESS, INDUSTRY.

MYW-P3CB-I(E) 1091F