

SYSTEM/MODEL: AP-M

MODIFICATION: External signaling when a sub station calls in

DIFFICULTY LEVEL: 2 - Easy/moderate - Component connection to external points.

COMPONENTS REQUIRED:

1. RY-AC: External signaling relay
2. DC 12V power supply
3. External signaling device and its own power
(Not supplied by Aiphone)

INSTR/OPERATIONS:

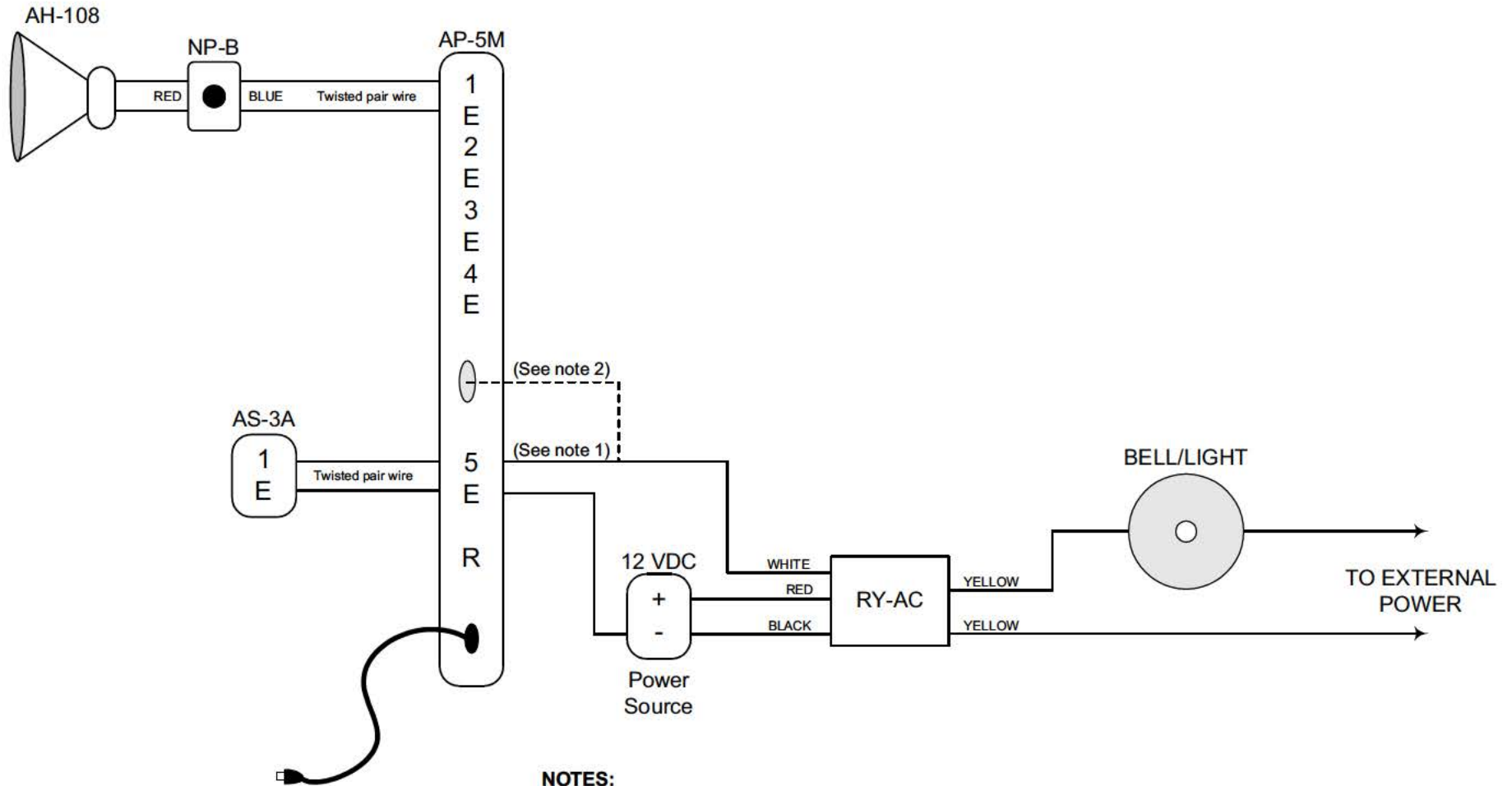
1. Install White lead of RY-AC to a number terminal (for signaling from one station) or internal point (for signaling from all stations - Changes difficulty rating to a level 4, see schematic).
2. Connect 12V power supply to RED and BLACK leads RY-AC.
3. Connect "-" of DC 12V power to "E" of AP-M.
4. YELLOW leads of the RY-AC will provide a normally open dry contact whenever the door station calls in. Connect this contact in accordance with instructions provided with your external signaling device and power for the external device.

REFERENCE DRAWING #:

Aiphone's product warranty applies to products properly modified using these instructions. However, if a unit is damaged as a result of improper modification, the warranty does not apply.

MODIFICATION INSTRUCTIONS

EXTERNAL SIGNALING WITH THE AP-M SYSTEM



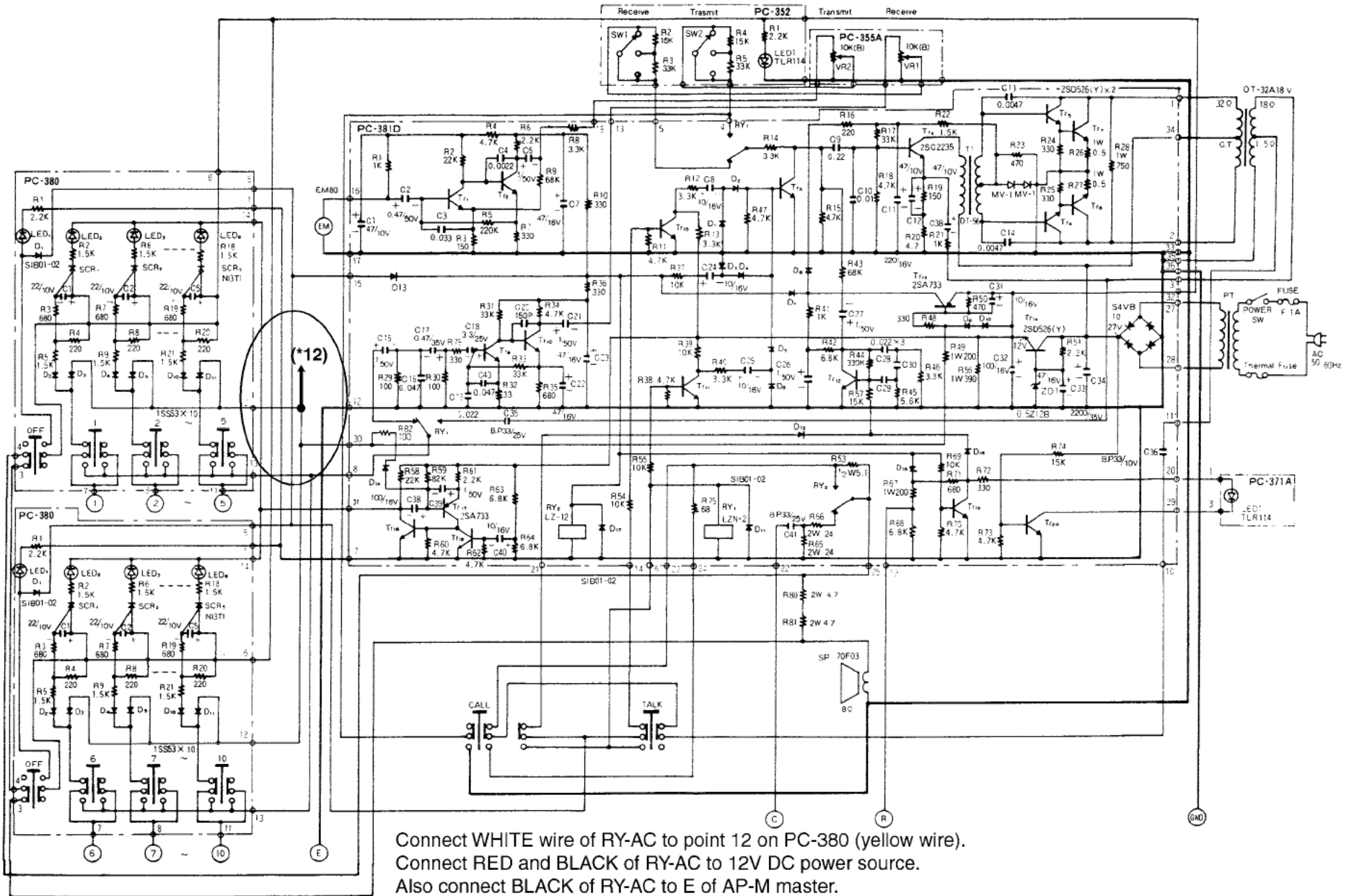
NOTES:

- (1) Diagram shows relay connected to channel 5. It can be connected to whichever channel requires external signaling. When a call is placed from that station, the relay will provide a closure for the duration of the call tone, activating the external device.
- (2) If the external device is to activate when any sub calls in, connect WHITE wire of RY-AC to point inside master. (Point 12 from PC-380). See following schematic.

Drawing Name: 003-APM Ext. Sig.
Drawing # 0698-003
Schematic # 381-003

EXTERNAL SIGNALING FROM ALL REMOTES ON AP-M SYSTEM

AP-10M Schematic Diagram



Connect WHITE wire of RY-AC to point 12 on PC-380 (yellow wire).
 Connect RED and BLACK of RY-AC to 12V DC power source.
 Also connect BLACK of RY-AC to E of AP-M master.
 All incoming calls will activate RY-AC.