

SYSTEM/MODEL: LEM

MODIFICATION: External signaling for the LEM

DIFFICULTY LEVEL: 2 - Easy/moderate - Component connection to external points.

- COMPONENTS REQUIRED:**
1. DAK-2S: Dual master adapter kit
(One for every 2 sub stations on LEM-3)
 2. RY-AC: External signaling relay
(One per sub station)
 3. DC 12V Power supply
(Not supplied by Aiphone)
 4. External signaling device with its own power source.
(Not supplied by Aiphone)

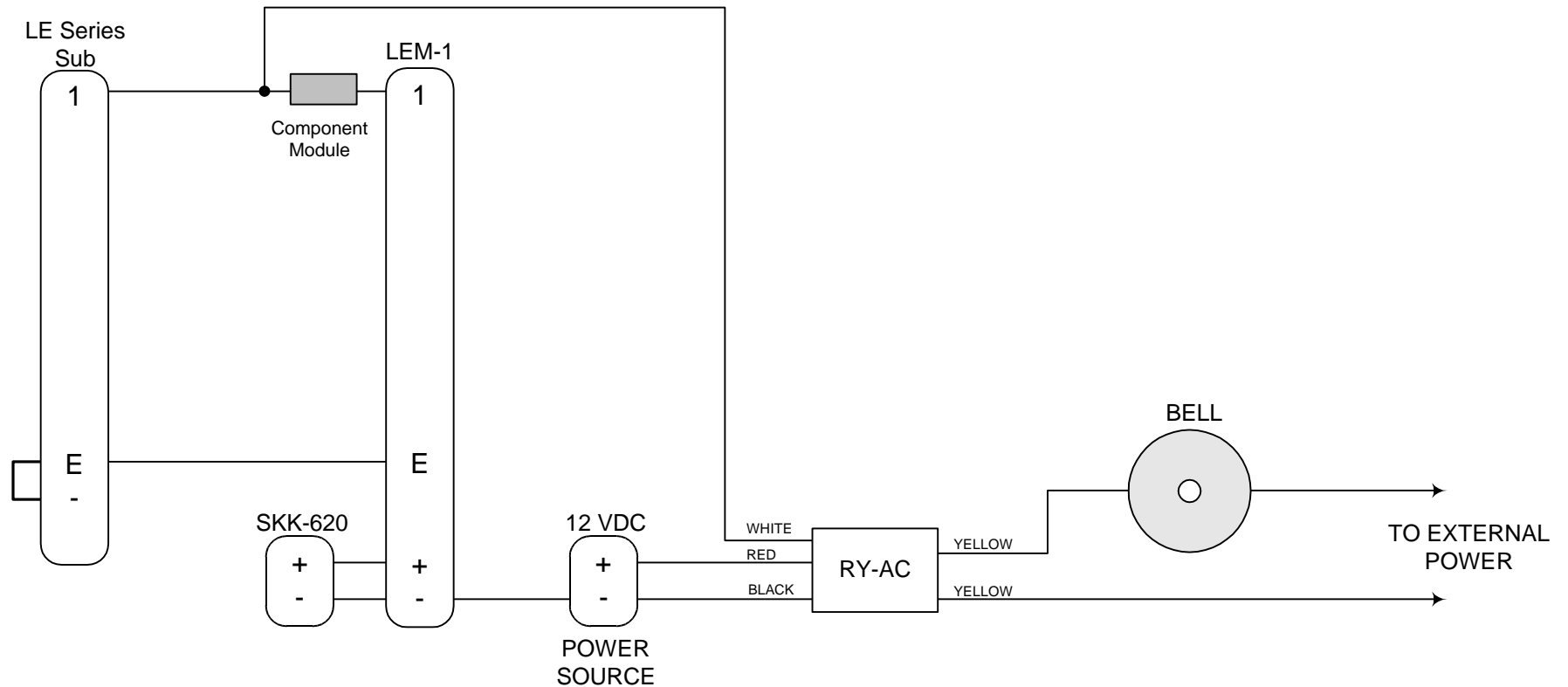
- INSTR/OPERATIONS:**
1. Connect the "1" terminal from the door station and the WHITE wire of RY-AC to the insulated wire of one component module in the DAK-2S. (Other component module is not used with LEM-1.) Use the supplied wire nuts to ensure proper connection.
 2. Connect the bare wire of the component module to the station number terminal on the master (1 of LEM-1, or 1~ 3 on LEM-3, for the station that will activate the external device).
 3. Connect RED wire of the RY-AC to 12V DC positive (separate power source).
 4. Connect BLACK wire of the RY-AC to both 12V DC negative AND "-" of the master.
 5. YELLOW wires of the RY-AC will provide a normally open dry closure whenever the door station calls in. Connect this contact in accordance with instructions provided with your external signaling device and power for the external device.

REFERENCE DRAWING #: 0798-452A/B/C, 1201-452C2

Aiphone's product warranty applies to products properly modified using these instructions. However, if a unit is damaged as a result of improper modification, the warranty does not apply.

MODIFICATION DIAGRAM

EXTERNAL SIGNALING WITH LEM-1

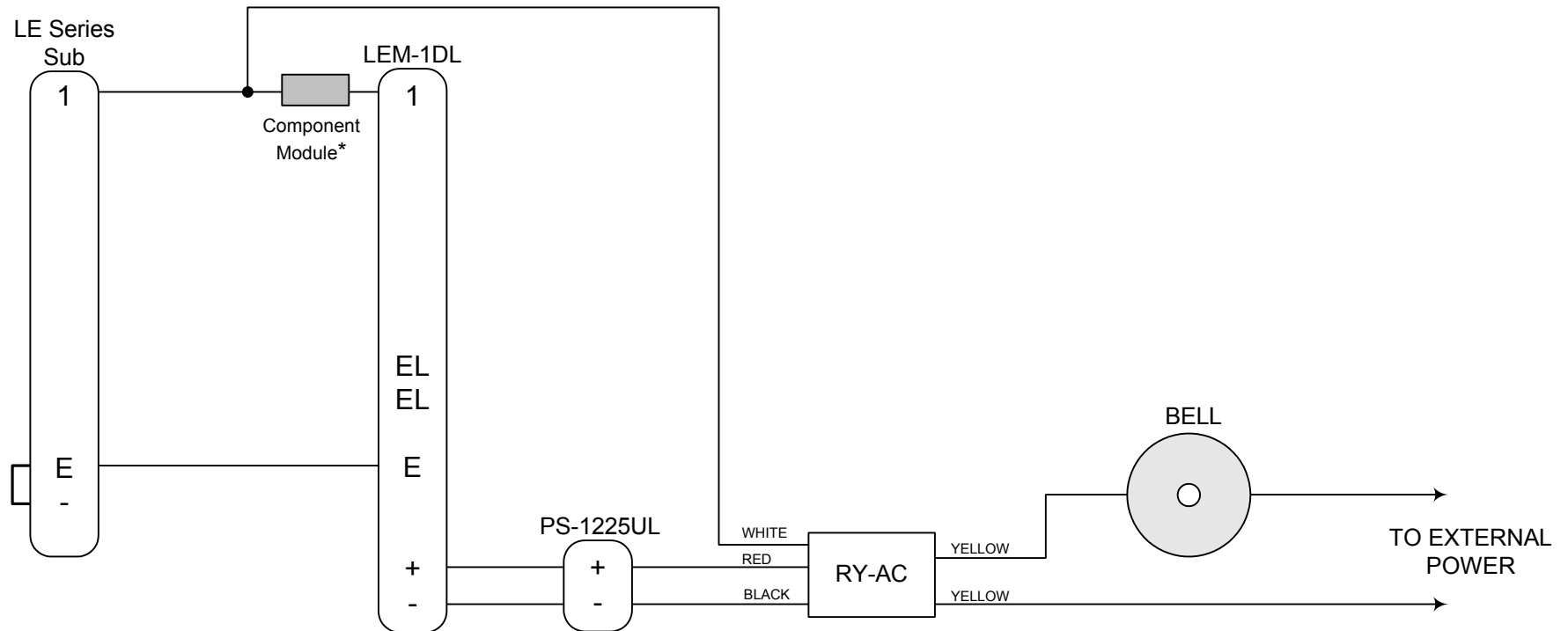


NOTES:

1. DAK-2S kit comes with two component modules.
Only one is used in this modification.
2. Install the bare wire end of the component module to "1" terminal of the LEM-1.
3. Use a 12V DC power source , 500mA or greater, for the RY-AC.

MODIFICATION DIAGRAM

EXTERNAL SIGNALING WITH LEM-1DL

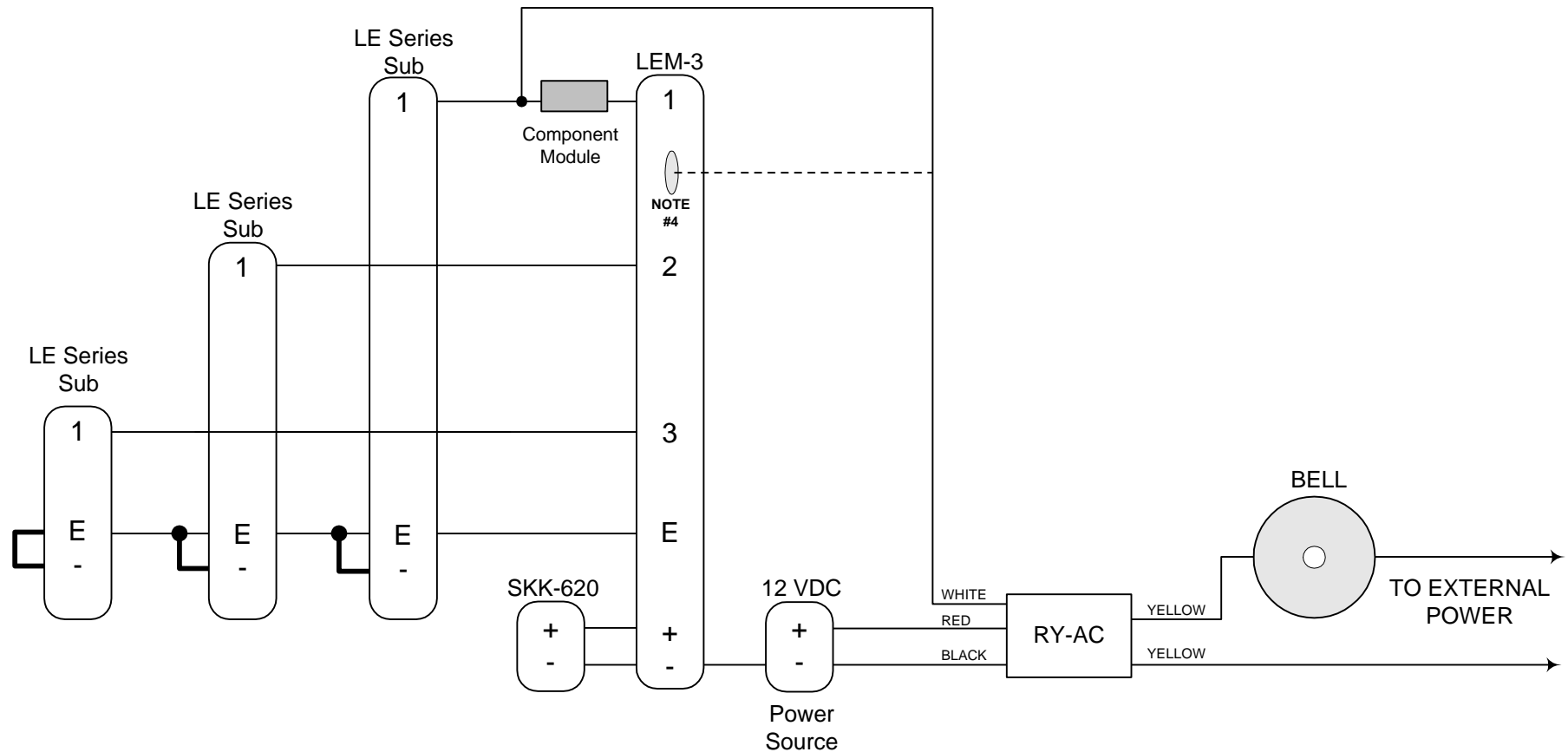


NOTES:

1. DAK-2S kit comes with two component modules.
Only one is used in this modification.
2. Install the bare wire end of the component module to "1" terminal of the LEM-1DL.
3. Aiphone power supply, PS-1225UL, is 12V DC, 2.5A.

MODIFICATION DIAGRAM

EXTERNAL SIGNALING WITH LEM-3

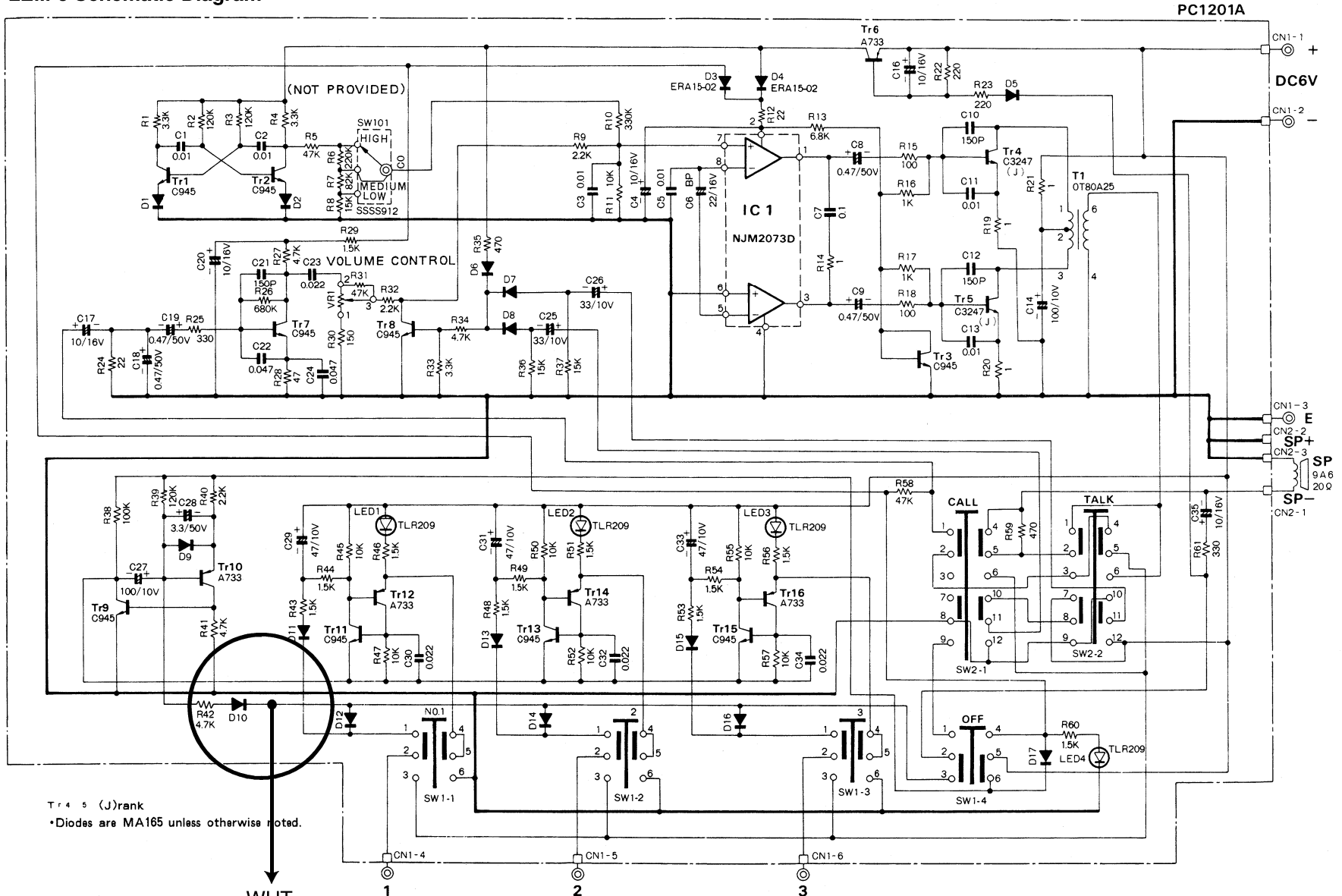


NOTES:

1. DAK-2S kit comes with two component modules. Only one is used in this modification.
2. Install the bare wire end of the component module to "#" terminal of the LEM-3.
3. Use 12V DC power source, 500mA or greater.
4. If more than one sub station is in the system, and all subs are required to activate the external signaling device, connect WHITE wire to internal point. See following schematic.

EXTERNAL SIGNALING FROM ALL SUBS ON LEM-3

LEM-3 Schematic Diagram



WHT

Connect WHITE wire of RY-AC to cathode side of D10.
 Connect BLACK wire of RY-AC to "-" of LEM-3.