

SYSTEM/MODEL: MP-S

MODIFICATION: LED monitoring indicator on a sub station (MP-1S)

DIFFICULTY LEVEL: 5 - Hard - Circuit creation and internal addition.

COMPONENTS REQUIRED: 1. LED: General purpose

2. Resistors:
680 ohm, 1/4 Watt
1K ohm, 1/4 Watt

INSTR/OPERATIONS: 1. See appropriate schematics.

2. Install components as shown on the schematic.

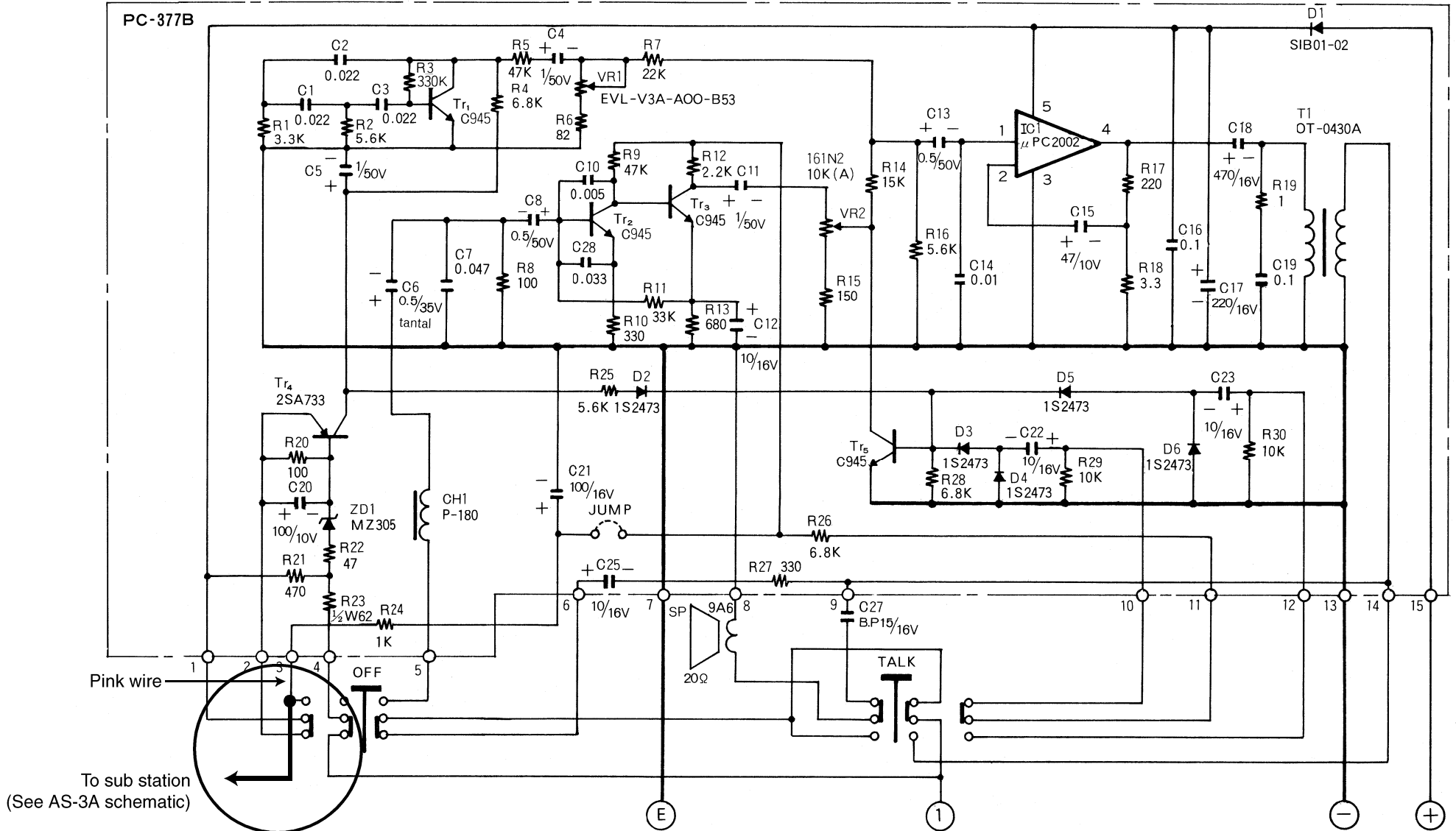
3. One additional wire will need to be run to each sub station. Connect this wire to the point shown on the diagram.

REFERENCE DRAWING #: 1198-504, AS3A-504, 377-504

Aiphone's product warranty applies to products properly modified using these instructions. However, if a unit is damaged as a result of improper modification, the warranty does not apply.

LED MONITORING INDICATOR (MP-1S)

MP-1S Schematic Diagram



※PCB:PC-377B

※Resistors are 1/4W unless otherwise specified.

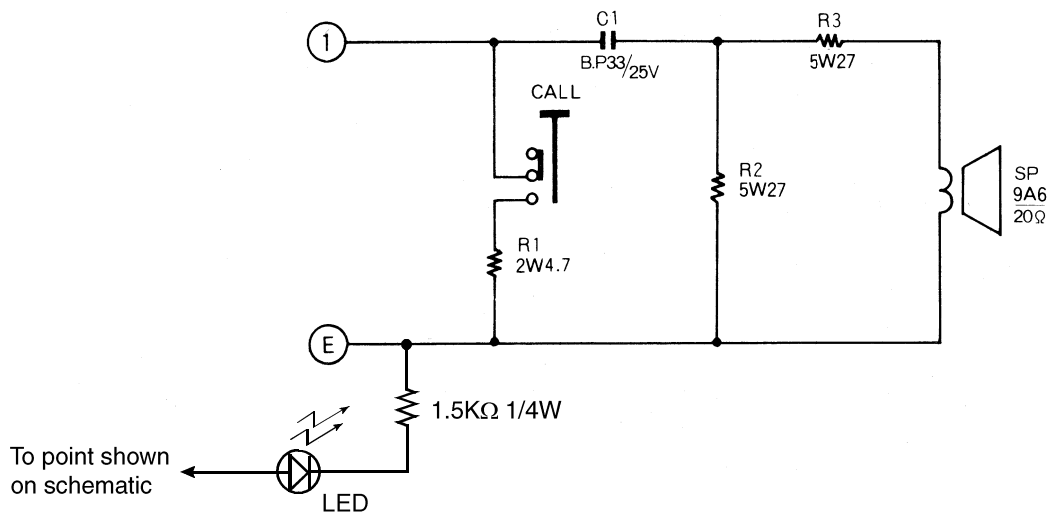
Tr₁~Tr₃•Tr₅: 2SC945

※Parts are subject to change without further notice.

MODIFICATION DIAGRAM

MONITORING LED AT SUB STATION (with MP-1S)

AS-3A Schematic Diagram



NOTES:

1. Add LED and resistor as shown off of the point indicated.
2. Use a general purpose LED and a 1.5K ohm resistor.
3. Physical placement of the LED is up to the installer, since there is no provision for it on the unit itself.