

**SYSTEM/MODEL:** MP-S

**MODIFICATION:** Dual master connection to remote speakers (MP-3S)

**DIFFICULTY LEVEL:** 2 - Easy/moderate - Component connection to external points.

**COMPONENTS REQUIRED:** 1. DAK-2S: Dual master adapter kit, one per sub station on the system.  
2. PS-12C: 12V DC power supply, one per master

**INSTR/OPERATIONS:** 1. Install components as shown on the following diagram.

2. Only one master can be used at a time. If two masters have the same station selected and one presses the TALK button, a loud feedback tone will be heard. The second master must press OFF to prevent this from occurring.

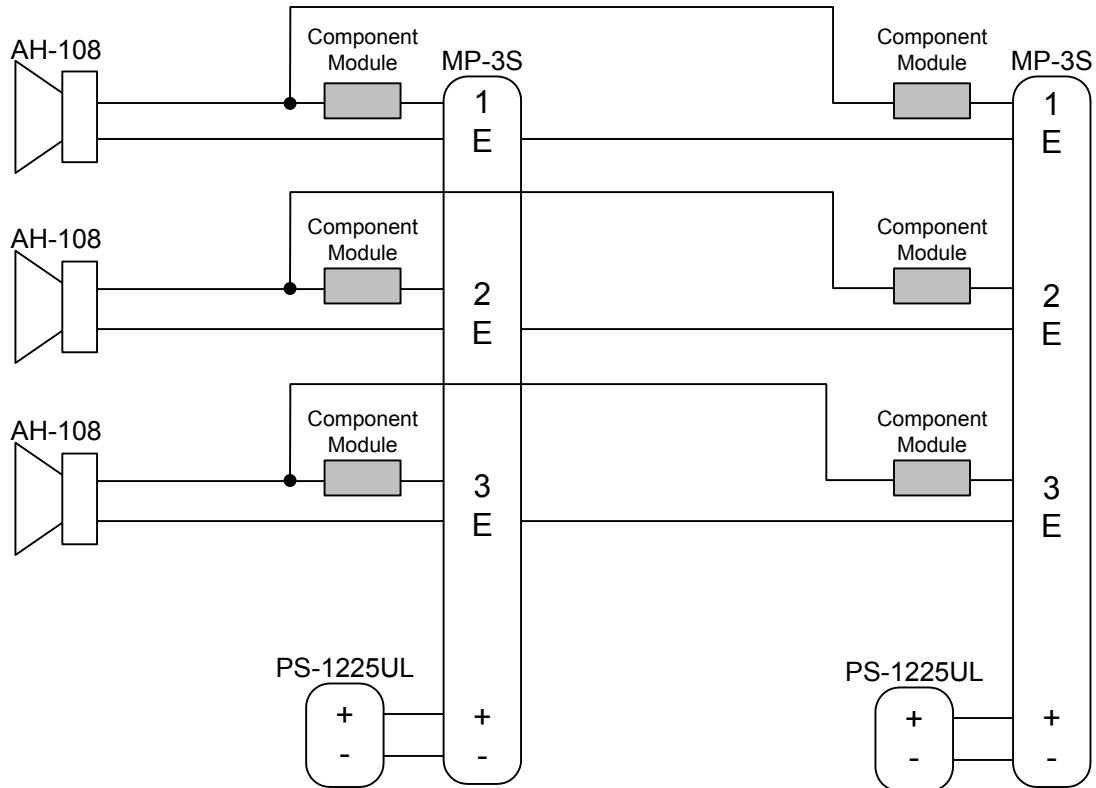
3. Sub station will call both masters simultaneously and either master can answer the calling station.

**REFERENCE DRAWING #:** 1198-502

Aiphone's product warranty applies to products properly modified using these instructions. However, if a unit is damaged as a result of improper modification, the warranty does not apply.

## MODIFICATION DIAGRAM

# DUAL MASTER MP-3S SYSTEM



### NOTES:

1. Install the bare wire end of the DAK-2S component modules to the "#" terminal (1, 2, 3) of the master stations.
2. Only one master can be used at a time.
3. Each master MUST have its own power supply. Otherwise, ground loop feedback will occur when either master station is on.