

SYSTEM/MODEL: MP-S

MODIFICATION: External signaling for the MP-S system

DIFFICULTY LEVEL: 2 - Easy/moderate - Component connection to external points.

COMPONENTS REQUIRED:

1. DAK-2S: Dual master adapter kit
2. RY-AC: External signaling relay
3. External signaling device and its own power
(Not supplied by Aiphone)

INSTR/OPERATIONS:

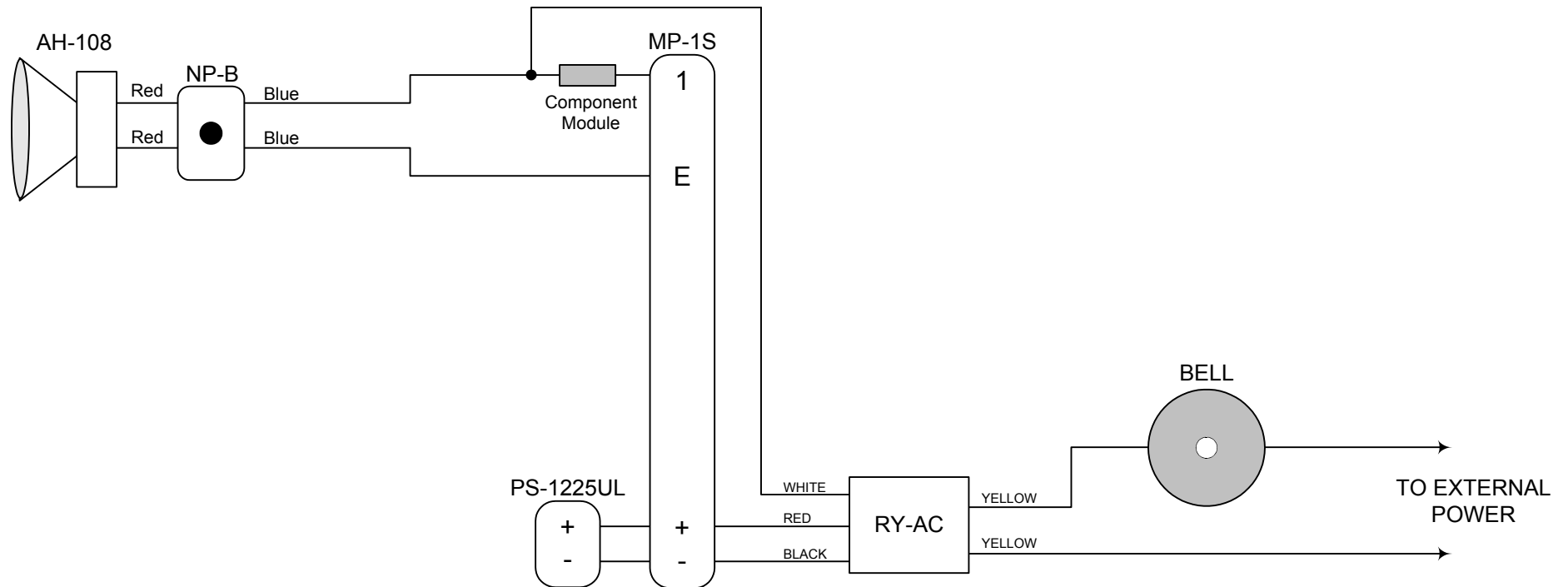
1. Connect the "1" terminal from the sub station and the WHITE wire of RY AC to the insulated wire of one component module in the DAK-2S. (Other component module is not used in this modification.) Use the supplied wire nuts to ensure proper connection.
2. Connect the bare wire of the component module to the "1" terminal of the MP-S master.
3. Connect RED wire of the RY-AC to "+" of the MP-S master.
4. Connect BLACK wire of the RY-AC to "-" of the MP-S master.
5. YELLOW wires of the RY-AC will provide a normally open dry closure whenever the door station calls in. Connect this contact in accordance with instructions provided with your external signaling device and power for the external device.

REFERENCE DRAWING #: 1198-503

Aiphone's product warranty applies to products properly modified using these instructions. However, if a unit is damaged as a result of improper modification, the warranty does not apply.

MODIFICATION DIAGRAM

EXTERNAL SIGNALING WITH THE MP-1S

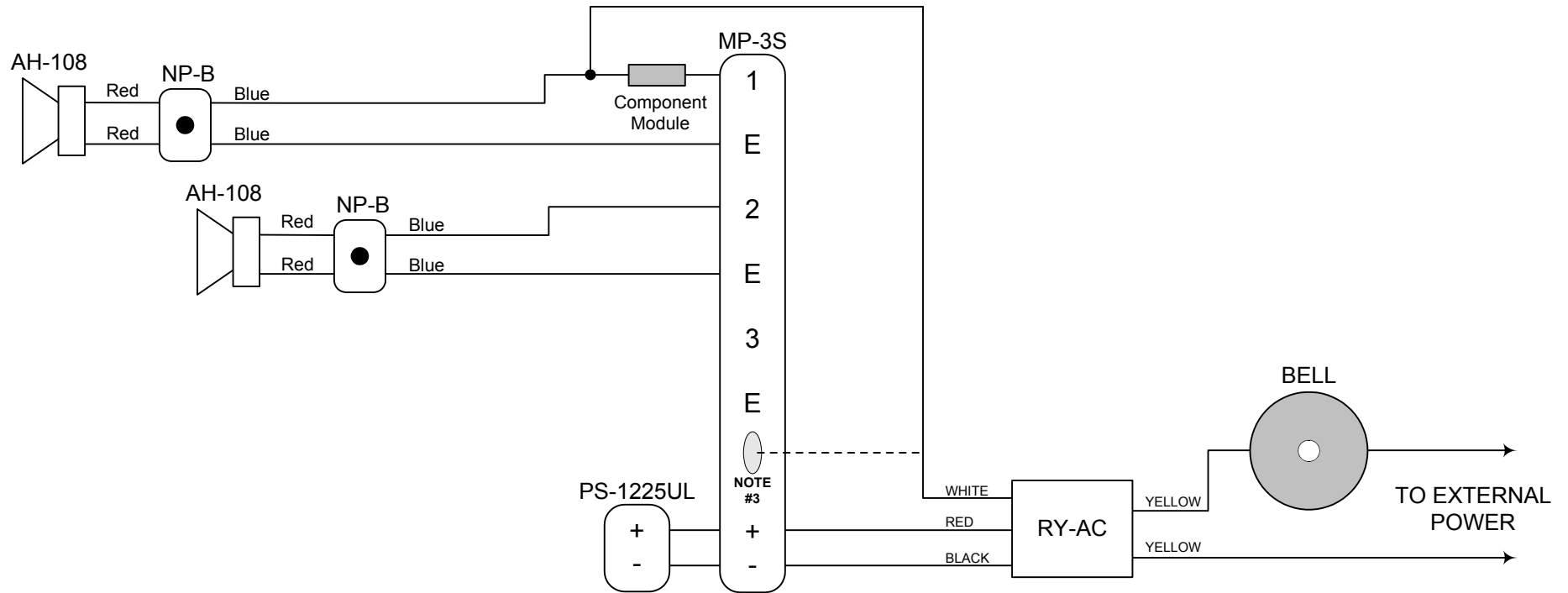


NOTES:

1. DAK-2S kit comes with two component modules. Only one of them is used in this modification.
2. Install the bare wire end of the component module to "1" terminal of the MP-1S.

MODIFICATION DIAGRAM

EXTERNAL SIGNALING WITH THE MP-3S

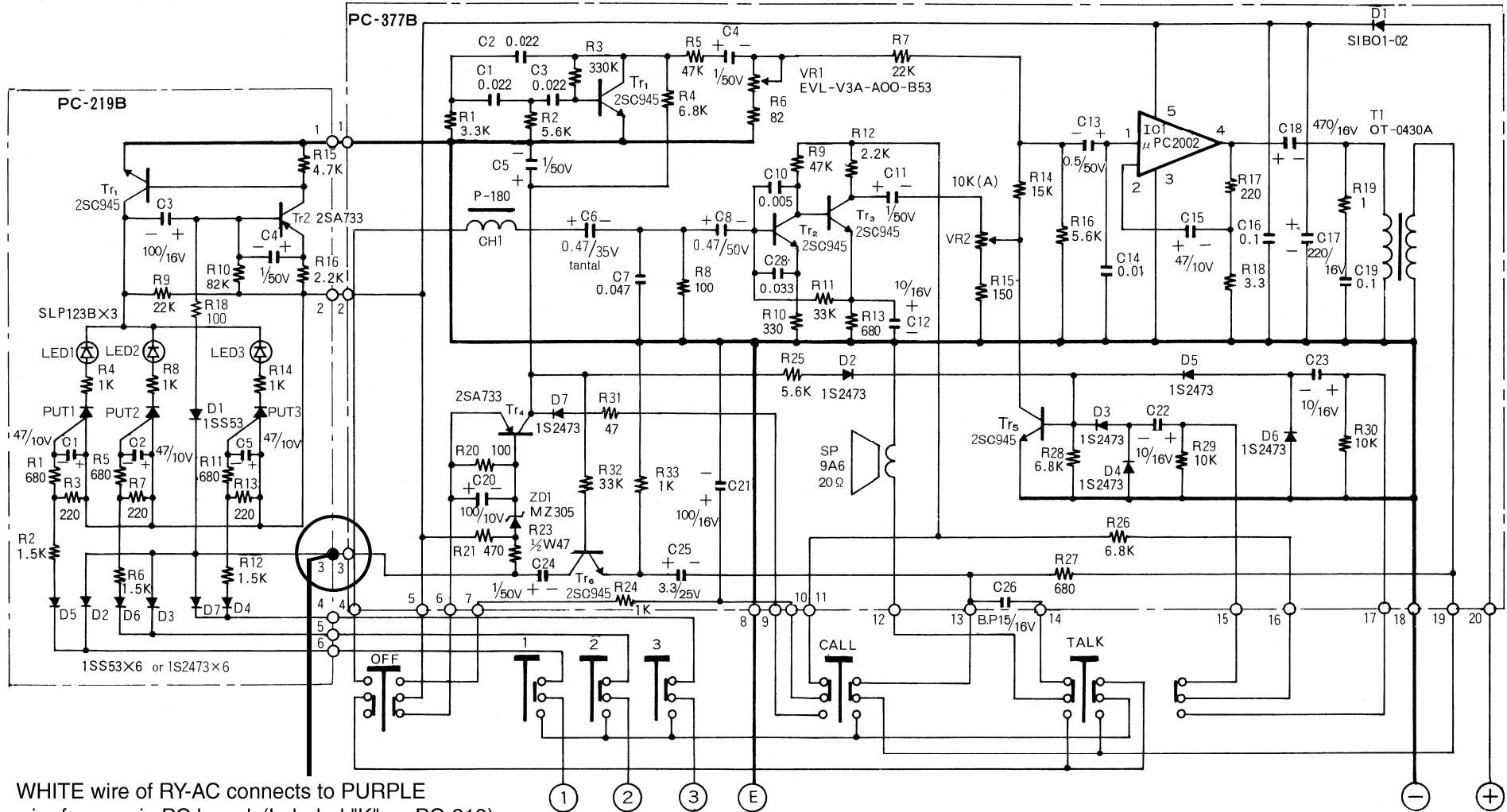


NOTES:

1. DAK-2S kit comes with two component modules. Only one is used in this modification.
2. Install the bare wire end of the component module to "#" terminal of the MP-3S.
3. If more than one sub station is in the system, and all subs are required to activate the external signaling device, connect WHITE wire to internal point. See following schematic.

EXTERNAL SIGNALING WHEN ANY SUB CALLS IN (MP-3S)

MP-3S Schematic Diagram



WHITE wire of RY-AC connects to PURPLE wire from main PC board. (Labeled "K" on PC-219)

※ PCB:PC-219B,PC-377B

※ Resistors are 1/4W unless otherwise specified.

Tr1~Tr3•Tr5•Tr6: 2SC945

PUT1~3N13T1

※ Parts are subject to change without further notice.