

SYSTEM/MODEL: MP-S

MODIFICATION: Increase incoming call tone volume

DIFFICULTY LEVEL: 3 - Moderate - Removal or replacement of internal components.

COMPONENTS REQUIRED: 1. Resistor: 10K - 30K ohm, 1/4 Watt

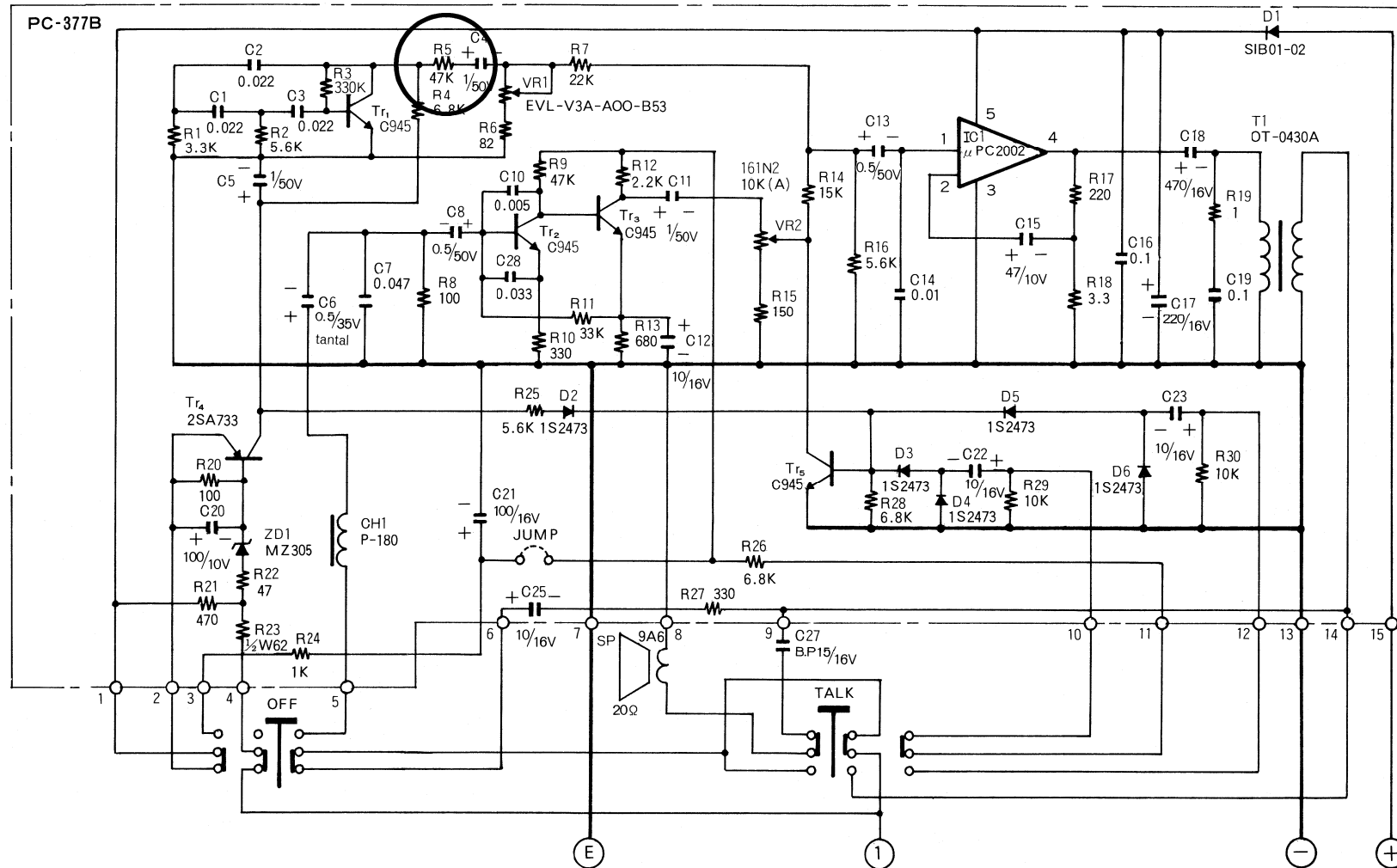
INSTR/OPERATIONS: 1. Remove and replace R5 with a lower value resistor. Select the appropriate value to achieve the desired volume level.

REFERENCE DRAWING #:

Aiphone's product warranty applies to products properly modified using these instructions. However, if a unit is damaged as a result of improper modification, the warranty does not apply.

INCREASING INCOMING CALL TONE

MP-1S Schematic Diagram



※PCB:PC-377B

※Resistors are 1/4W unless otherwise specified.

Tr₁~Tr₃•Tr₅: 2SC945

※Parts are subject to change without further notice.

Lower Value of resistor R5.