

SYSTEM/MODEL: MP-S

MODIFICATION: Lowering incoming volume while outgoing volume remains high

DIFFICULTY LEVEL: 4 - Moderate/hard - Internal connection or component addition.

COMPONENTS REQUIRED: 1. Variable resistor: 45 - 100 ohm, 1/4 Watt

INSTR/OPERATIONS: 1. Install variable resistor as shown on schematic.

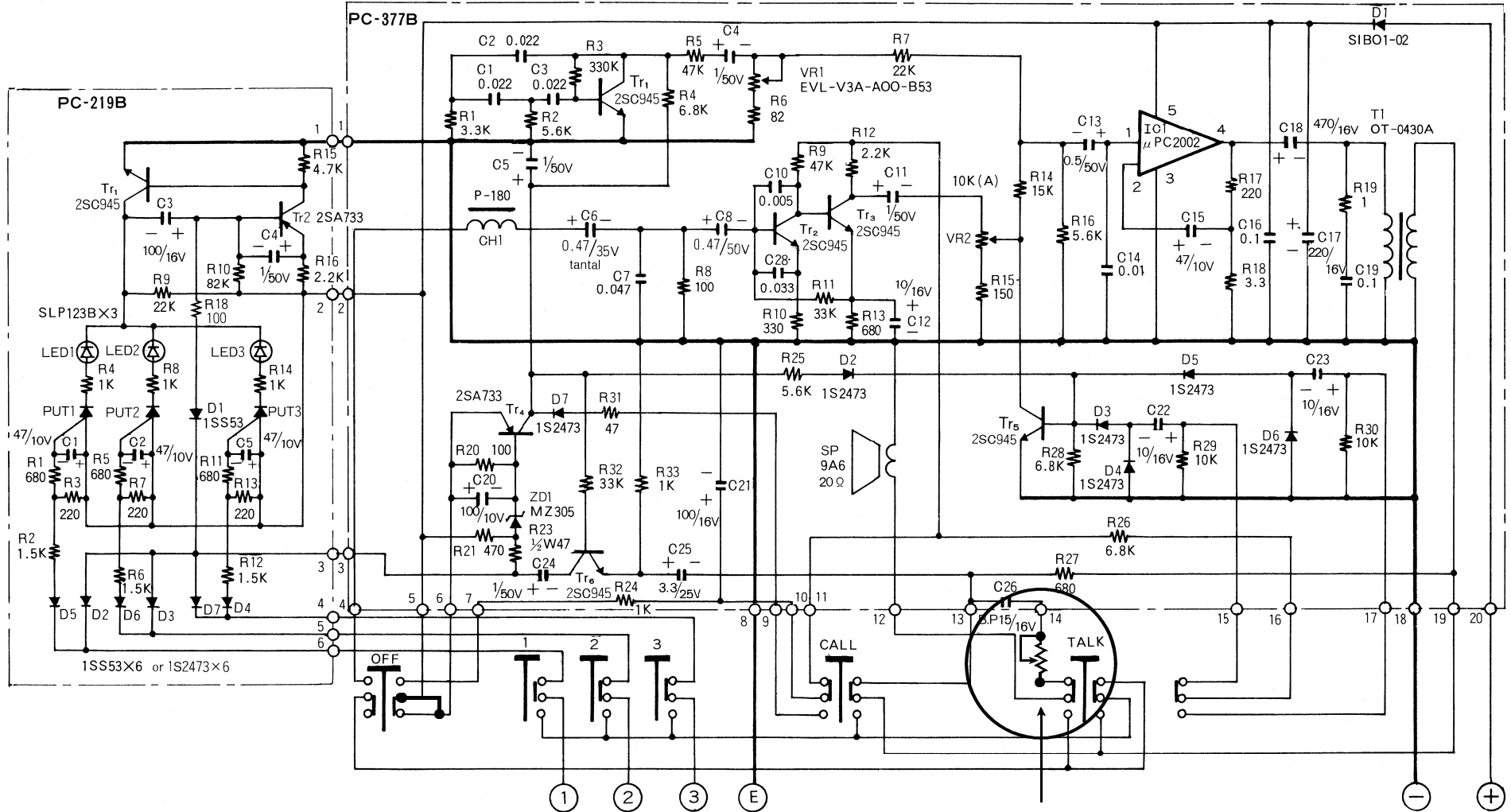
2. This modification will allow the incoming volume to be adjusted while leaving the outgoing volume at a higher level.

REFERENCE DRAWING #: 1198-509, 377-509

Aiphone's product warranty applies to products properly modified using these instructions.
However, if a unit is damaged as a result of improper modification, the warranty does not apply.

LOWERING THE INCOMING VOLUME WHILE OUTGOING VOLUME REMAINS HIGH (MP-3S)

MP-3S Schematic Diagram



- * PCB:PC-219B,PC-377B
- * Resistors are 1/4W unless otherwise specified.
- Tr1~Tr3•Tr5•Tr6: 2SC945
- PUT1~3:N13T1
- *Parts are subject to change without further notice.

Add variable resistor in series at point marked (yellow wire).