

**SYSTEM/MODEL:** MP-S

**MODIFICATION:** Separate control for transmit volume

**DIFFICULTY LEVEL:** 4 - Moderate/hard - Internal connection or component addition.

**COMPONENTS REQUIRED:** 1. Variable resistor: 100 ohm, 1/4 Watt

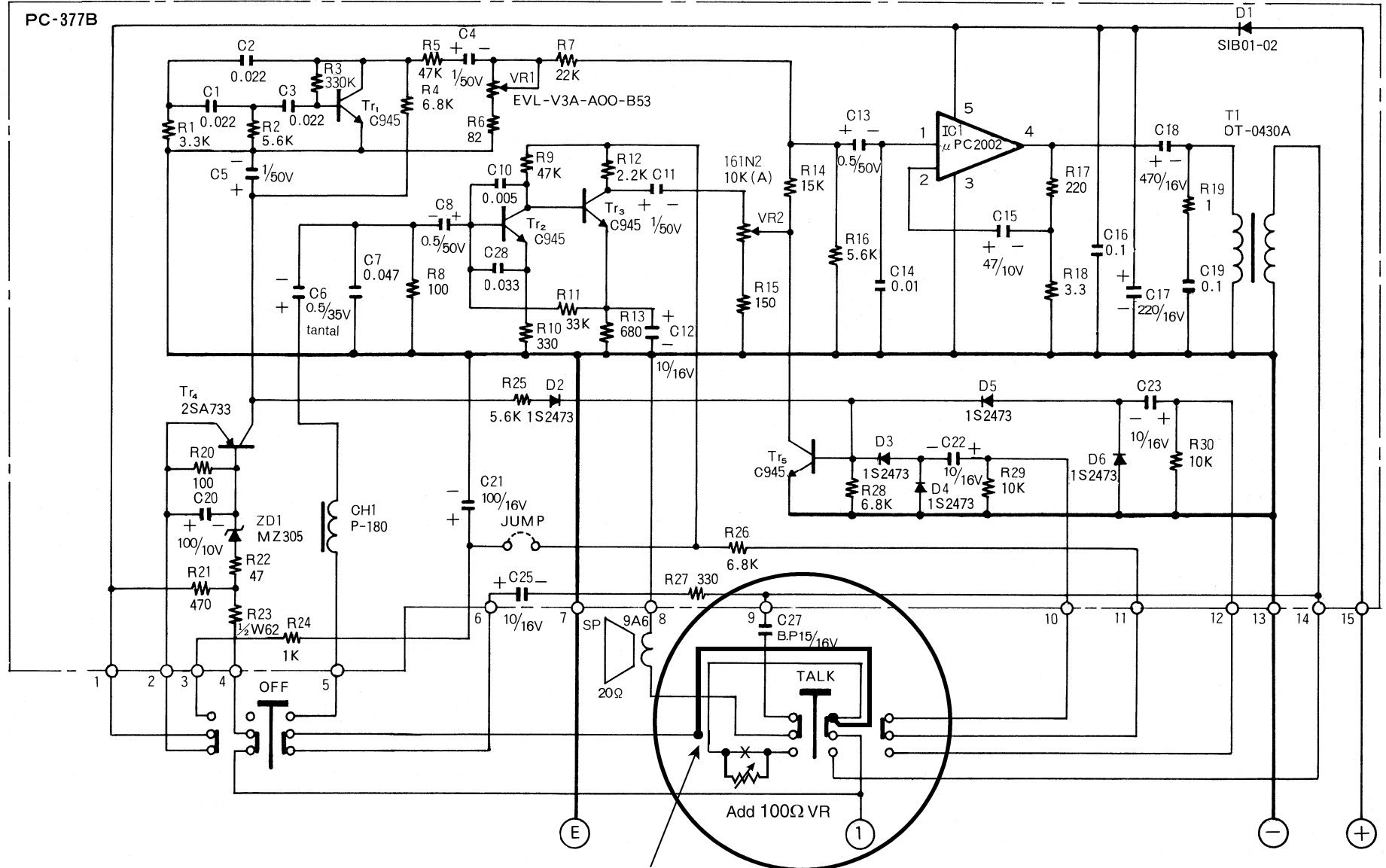
- INSTR/OPERATIONS:**
1. Desolder two yellow wires from bottom pole of TALK switch, so jumper connects directly from top pole of TALK switch to OFF switch.
  2. Install a 100 ohm variable resistor between poles of TALK switch as indicated on the following schematic. The VR can be soldered in series with the yellow jumper between the two points indicated.
  3. The new variable resistor will adjust the transmit volume only.

**REFERENCE DRAWING #:** 1198-508, 377-508

Aiphone's product warranty applies to products properly modified using these instructions. However, if a unit is damaged as a result of improper modification, the warranty does not apply.

# SEPARATE CONTROL FOR TRANSMIT VOLUME

MP-1S Schematic Diagram



※PCB:PC-377B

※Resistors are 1/4W unless otherwise specified.

$Tr_1 \sim Tr_3 \cdot Tr_5$  : 2SC945

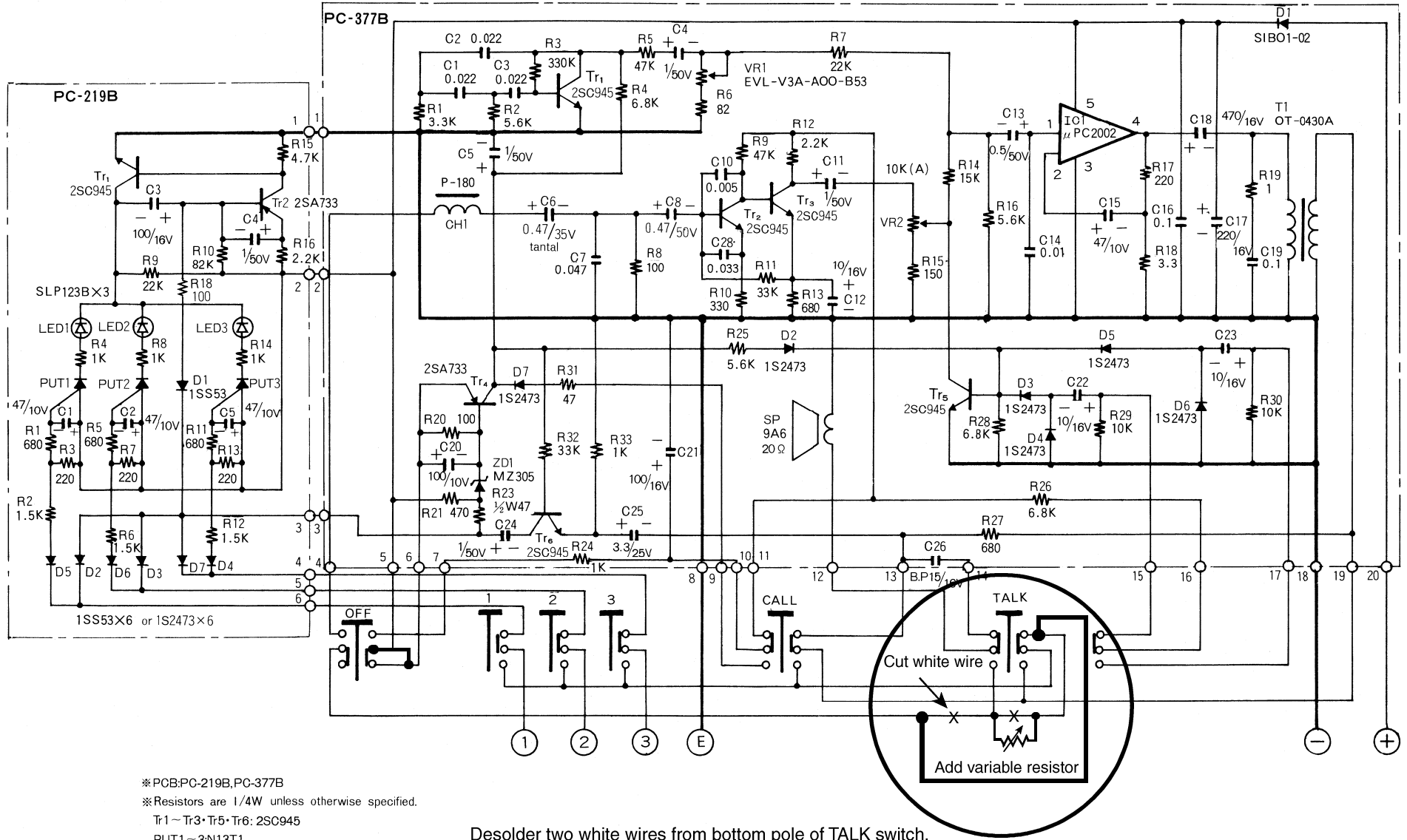
※Parts are subject to change without further notice.

Desolder two yellow wires from bottom pole of TALK switch, so jumper goes directly to OFF switch.  
Install 100Ω variable resistor between poles of TALK switch as indicated  
(where yellow jumper is located on standard unit).

MP-1S Mod. #1198-508  
Sch #377-508

# SEPARATE VOLUME CONTROL FOR TRANSMIT (MP-3S)

MP-3S Schematic Diagram



※PCB:PC-219B,PC-377B

※Resistors are 1/4W unless otherwise specified.

Tr1~Tr3•Tr5•Tr6: 2SC945

PUT1~3:N13T1

※Parts are subject to change without further notice.

Desolder two white wires from bottom pole of TALK switch, keeping wires soldered together so white jumper goes directly to OFF switch. Install 100Ω variable resistor between poles of TALK switch as indicated (where white jumper is located on standard unit).